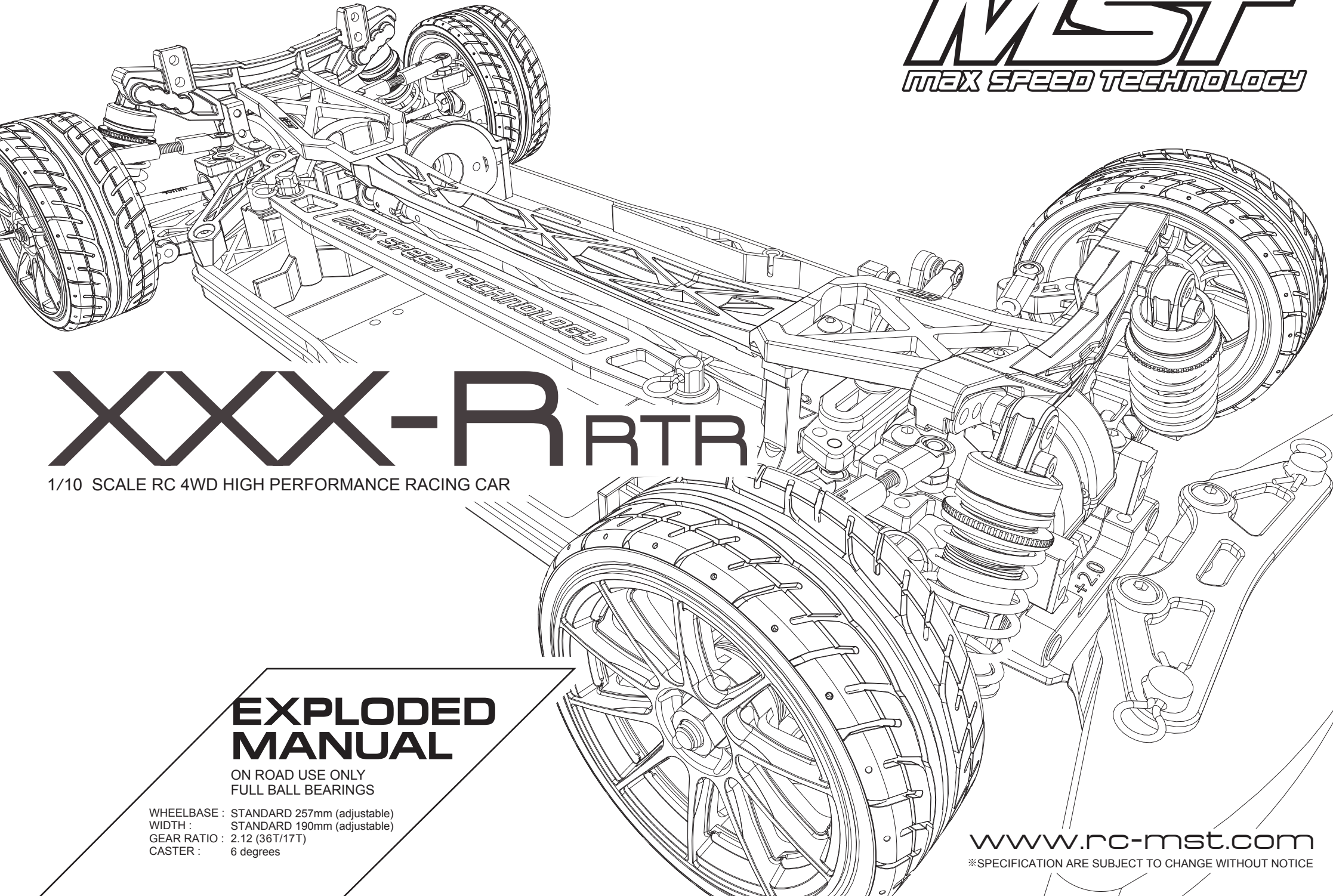


MST
MAX SPEED TECHNOLOGY



XXX-R RTR

1/10 SCALE RC 4WD HIGH PERFORMANCE RACING CAR

EXPLODED MANUAL

ON ROAD USE ONLY
FULL BALL BEARINGS

WHEELBASE : STANDARD 257mm (adjustable)
WIDTH : STANDARD 190mm (adjustable)
GEAR RATIO : 2.12 (36T/17T)
CASTER : 6 degrees

www.rc-mst.com

※SPECIFICATION ARE SUBJECT TO CHANGE WITHOUT NOTICE

XXX-R RTR

1/10 SCALE RC 4WD HIGH PERFORMANCE RACING CAR



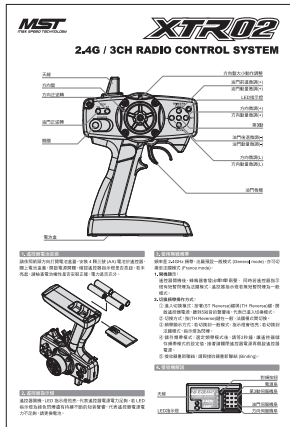
Appreciate for your choice of **XXX-R RTR**! You will be impressed with its performance and beauty. Please prepare additional parts as car battery, transmitter battery, and charger. Please follow the process for assemble and setting of parts package. If you have doubt or need assistance, please contact the purchased shop or hobby shop for help, many thanks! 首先感謝你購入 **XXX-R RTR** 這項產品，您將擁有一部兼具性能與美型的街道賽車。在首次操作前，有以下幾項須要另行購置的物件；車用電池、遙控器用電池、充電器。備妥上述物件後，請進行零件包安裝與設定。如需其他協助，請向原購買店家，或遙控模型店詢問！謝謝！

PLEASE FOLLOW BELOW OPERATIONS BEFORE ASSEMBLING THE PARTS PACKAGE. 請於安裝零件包之前，執行以下操作

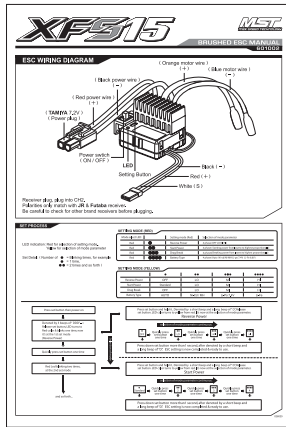


- | | |
|-------------------------------------|-----------------|
| ❶ Install transmitter batteries. | ❶ 安裝遙控器電池 |
| ❷ Loosen receiver antenna. | ❷ 鬆開接收機天線 |
| ❸ Connector ESC and battery. | ❸ 聯結車用電池與電子變速器 |
| ❹ Switch on the transmitter. | ❹ 打開遙控器電源 |
| ❺ Trims the transmitter in neutral. | ❺ 調整遙控器各微調器至中立點 |
| ❻ Switch on the ESC. | ❻ 打開電子變速器電源 |
| ❼ Completed. | ❼ 完成 |

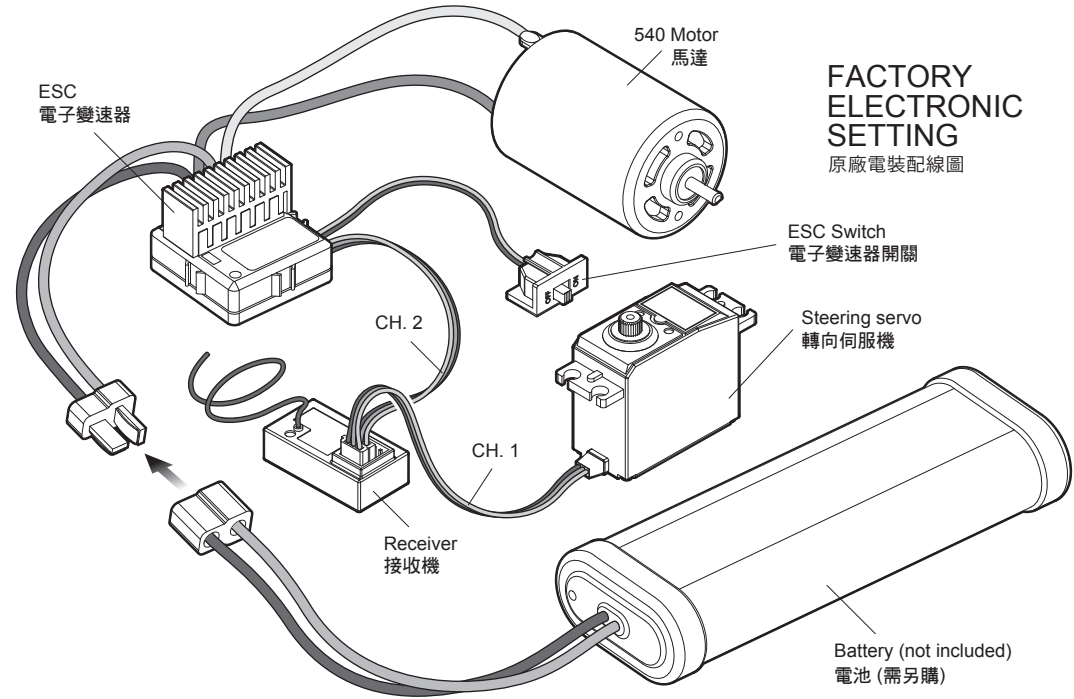
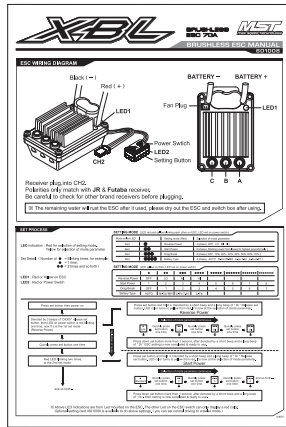
※ Please play this product in opening or safety area. 請於空曠或安全無虞的場所，使用本項產品。



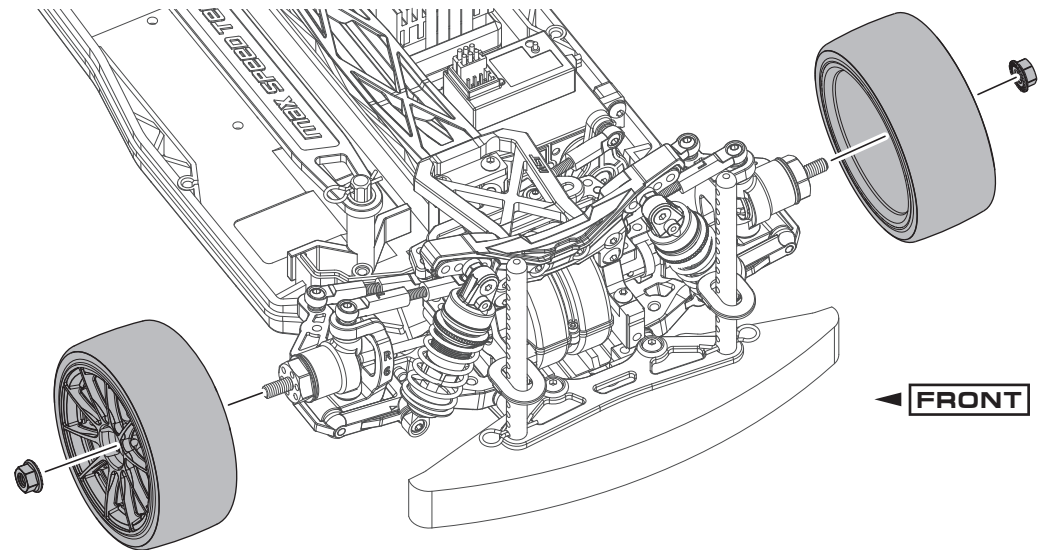
※ Please refer to instruction of transmitter & receiver performance. 遙控器與接收機功能說明請參閱詳細說明書。



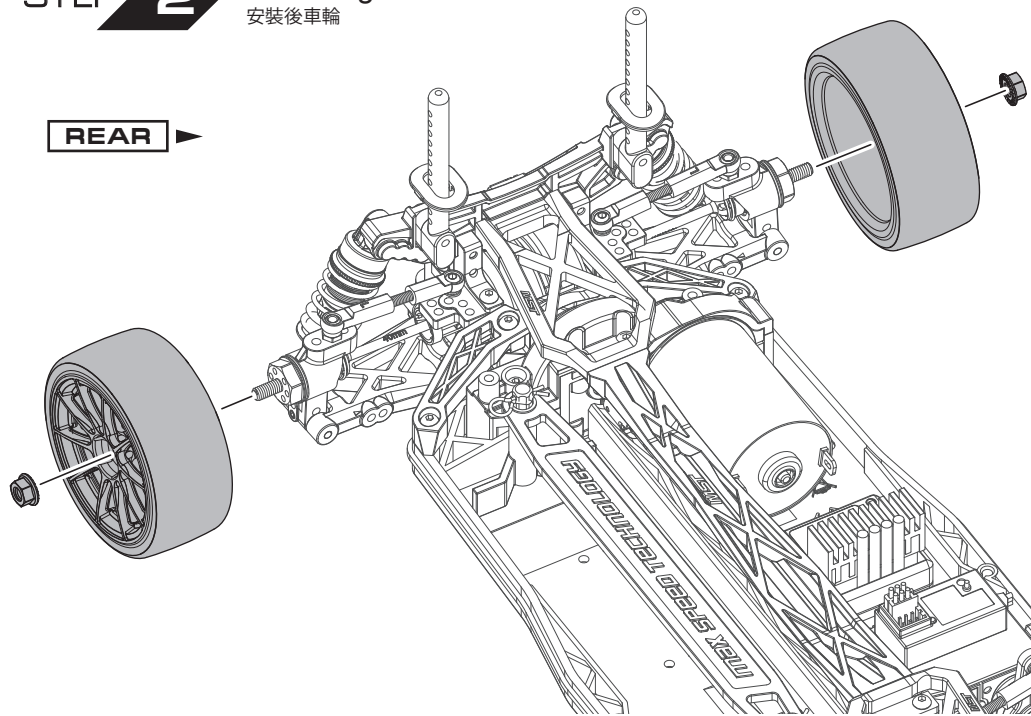
※ Please refer to instruction of ESC performance. 電子變速器功能說明請參閱詳細說明書。



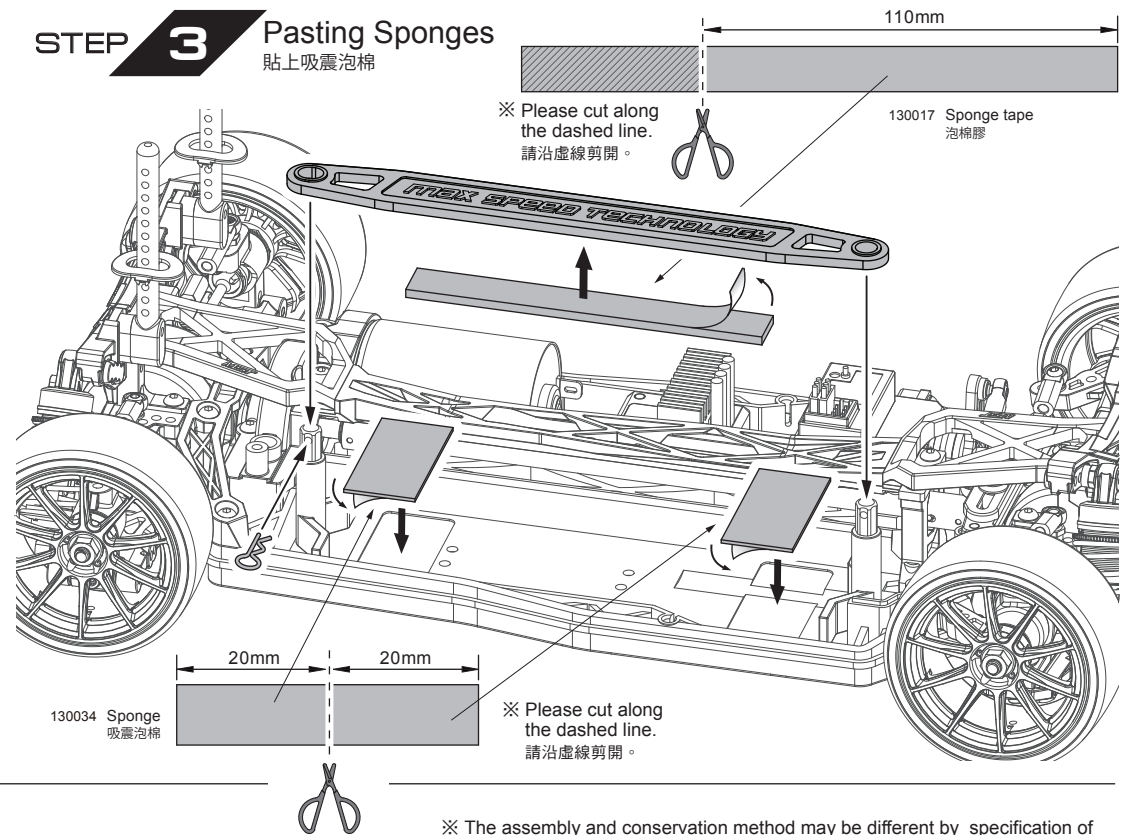
STEP 1 Attaching Front Tire 安裝前車輪



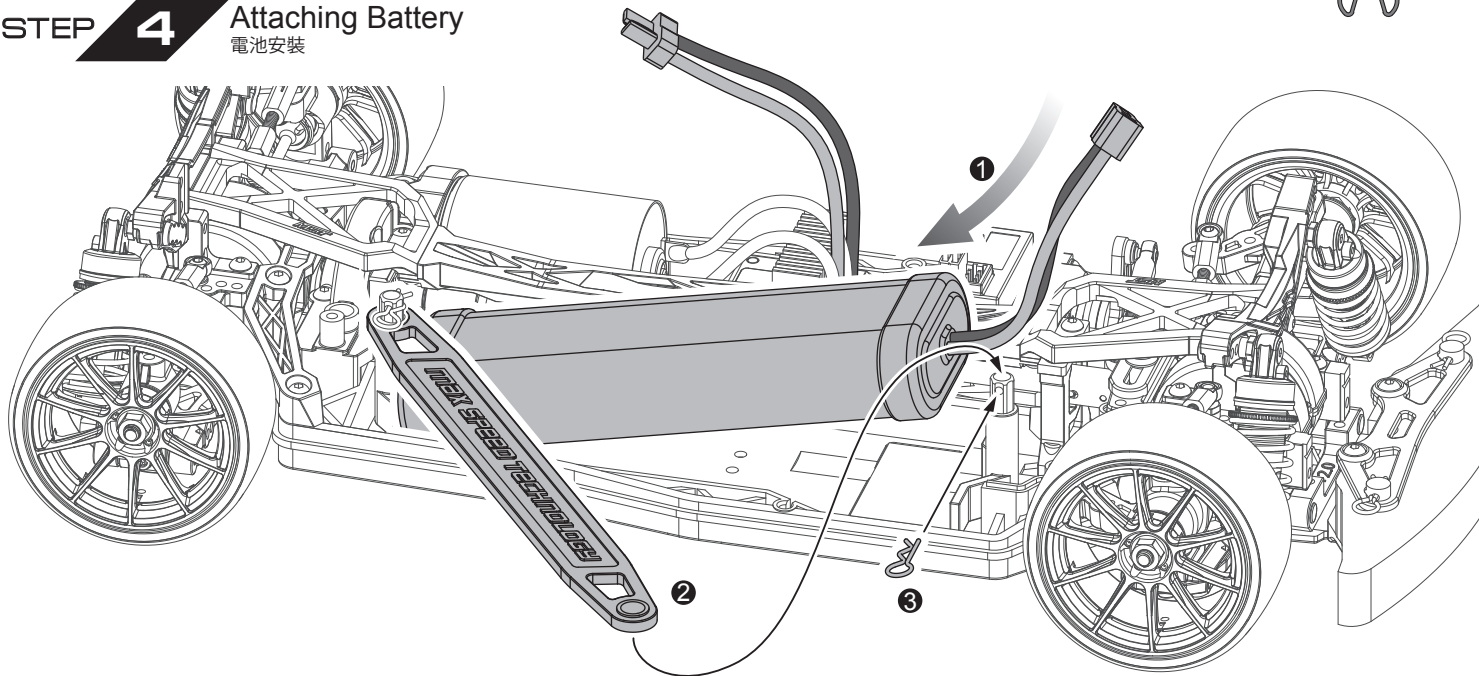
STEP 2 Attaching Rear Tire
安裝後車輪



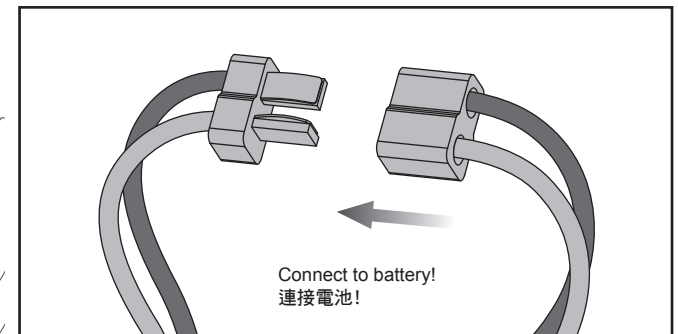
STEP 3 Pasting Sponges
貼上吸震泡棉



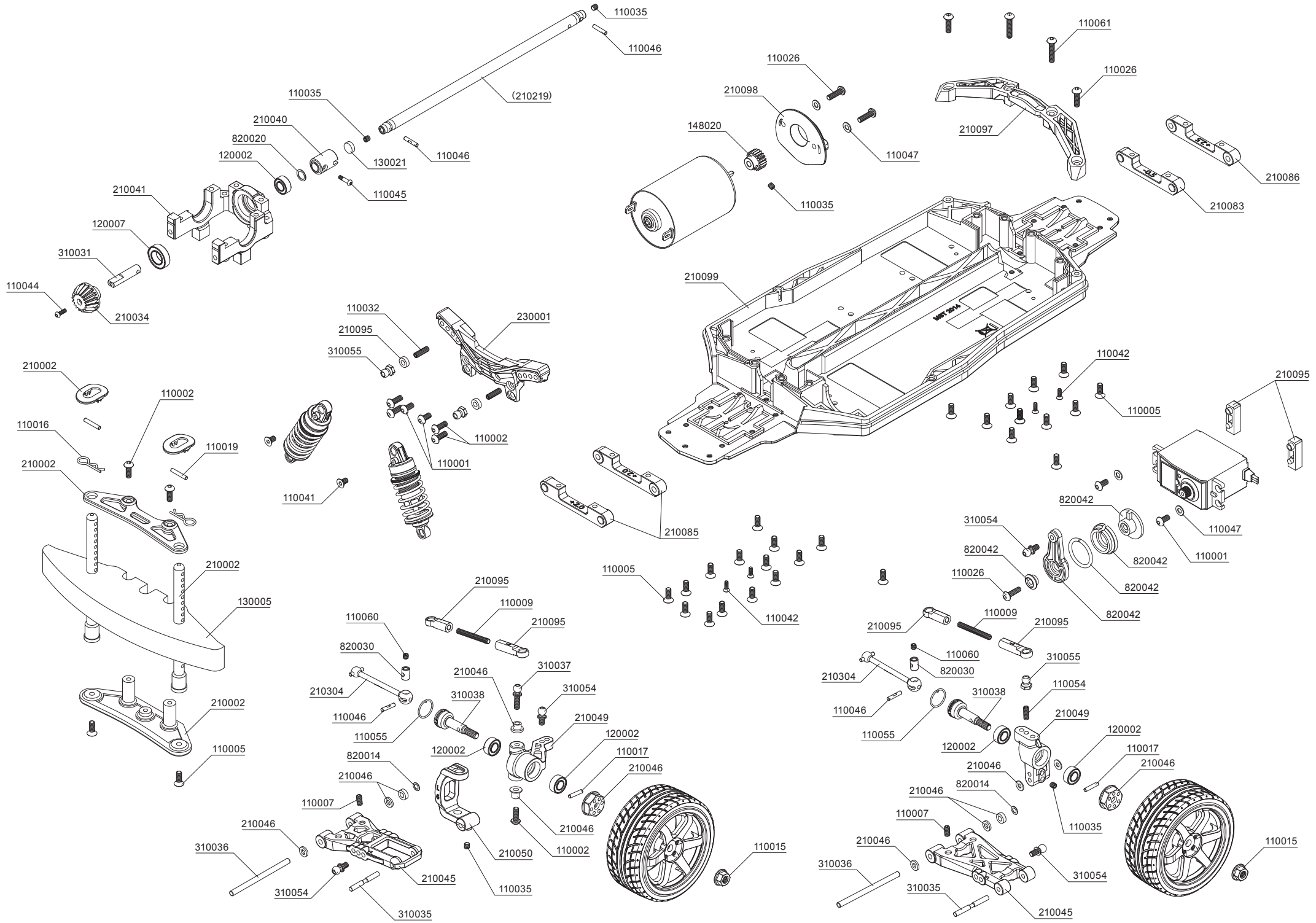
STEP 4 Attaching Battery
電池安裝



- ※ The assembly and conservation method may be different by specification of battery.
電池的安裝方式會因為廠牌規格而有些微差異，電池的使用方式與保存方式，也會因電池的種類而有所不同。
- ※ Recommended battery measurement L140×W48×H25.4mm (not exceed)
建議安裝長140×寬48×高25.4mm尺寸以內的電池。



- ※ Please play in safe place after all setting finish.
Before playing, please switch on transmitter then on the car.
Please switch off reversely.
安裝設定完成後，請於安全場所使用本產品！
使用前請先開啟遙控器電源後再開啟車體電源！
使用後請反向操作關閉！



PARTS

M2×4 Screw ×2
圓頭螺絲
110004

M2×6 Screw ×2
圓頭螺絲
110044

M3×6 Screw ×10
圓頭螺絲
110001

M3×8 Screw ×20
圓頭螺絲
110002

M3×10 Screw ×14
圓頭螺絲
110026

M3×12 Screw ×2
圓頭螺絲
110029

M3×14 Screw ×2
圓頭螺絲
110061

M2×8 Screw ×2
圓頭螺絲(半牙)
110045

M2×6 Screw ×4
沉頭螺絲
110042

M3×5 Screw ×4
沉頭螺絲
110041

M3×8 Screw ×28
沉頭螺絲
110005

M3×5 Screw ×3
十字螺絲
110051

M1.6×4 Screw ×2
有頭螺絲
110039

M2.5×30 Screw ×2
有頭螺絲(半牙)
110053

M4 Wheel nut ×4
輪框螺帽
110015

M3×2.6 Screw ×4
止付螺絲
110060

M3×3 Screw ×7
止付螺絲
110035

M3×6 Screw ×4
止付螺絲
110007

M3×8 Screw ×8
止付螺絲
110054

M3×10 Screw ×2
止付螺絲
110032

M3×16 Screw ×2
止付螺絲
110023

M3×20 Screw ×4
止付螺絲
110009

M3×25 Screw ×1
止付螺絲
110008

4.8 Copper hex ball ×6
銅製外六角球頭
310055

4.8 Ball connector nut L ×2
球頭螺帽
210344

4.8×4.5 Copper ball connector ×12
銅製內六角球頭
310054

4.8×9 Ball connector ×2
球頭螺絲
310037

Rail post ×2
軸承支柱
310029

Servo saver spring 1.8 ×1
緩衝器簧圈 1.8
820042

3×5×0.2 Spacer ×2
墊片
820013

3×5×0.3 Spacer ×4
墊片
820014

3×6×0.5 Spacer ×4
墊片
110047

5×7×0.3 Spacer ×1
墊片
820020

10×12×0.3 Spacer ×6
墊片
820024

5×10 Ball bearing ×11
培林
120002

8×14 Ball bearing ×2
培林
120007

10×15 Ball bearing ×4
培林
120001

Steel ball 1.5 ×16
鋼珠 1.5
120008

Steel ball 3.0 ×20
鋼珠 3.0
110020

2.5×6 Spacer ×4
銅板
120008

Diff. spring ×2
滾差彈簧
310032

Diff. plate ×4
滾差壓板
310033

2×9.8 Shaft ×5
插銷
110017

2×9.8 Shaft ×6
插銷(剖溝)
110046

2×11.8 Shaft ×4
插銷
110019

2.6×22 Shaft ×2
插銷
310035

2.6×25 Shaft ×2
插銷
310035

3×46 Shaft ×4
插銷
310036

Cross joint ×4
連接軸
820030

Bevel gear-short shaft ×1
傘齒短軸
310031

Bevel gear-long shaft ×1
傘齒長軸
310030

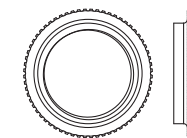
Wheel axle ×4
萬向接杯
310038

Steel CVD universal shaft 40 ×4
鋼製CVD傳動軸 40
210304

R-clip ×4
R形扣
110016

G-clip 10.0 ×4
G形扣 10.0
110055

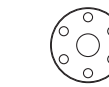
Piston rod ×4
避震軸心
310008



Spring retainer ×4
避震器調整環
310053

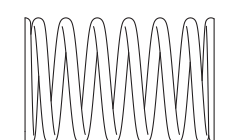


Oil seal ×4
避震器氣室
130004

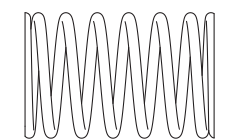


Piston (black) ×4
避震活塞(黑)
210082

Rod guide (black) ×4
避震器下蓋墊片(黑)
210082



Coil spring 25mm (red) ×2
避震彈簧 25mm (紅)
210266-3



Coil spring 25mm (white) ×2
避震彈簧 25mm (白)
210266-4

E-clip ×8
E形扣
110013

Damper O-ring ×4
避震O環
130001



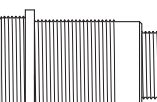
10.8×0.9 O-ring ×4
O環
130032



Cylinder cap ×4
避震器上蓋
210057



Rod guide cap ×4
避震器下蓋
210057



Damper cylinder ×4
避震筒身
210071

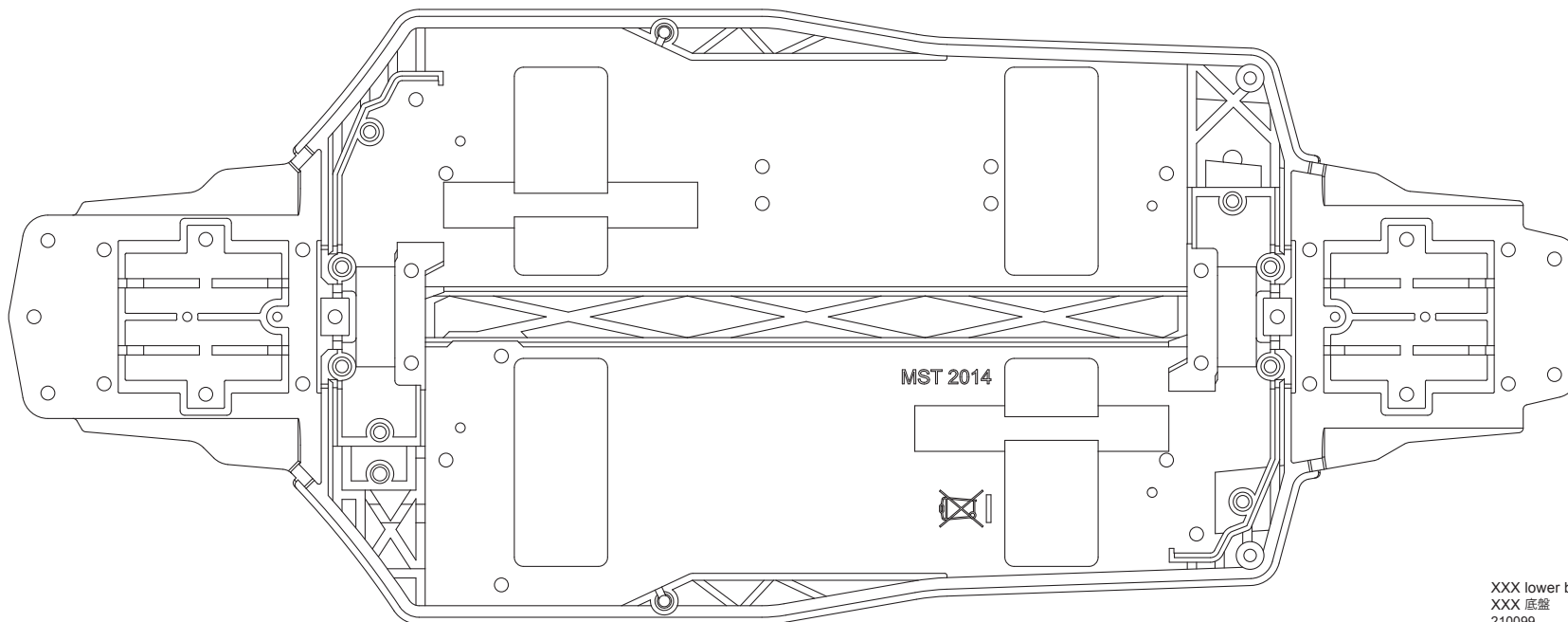


Damper retainer ×4
避震器彈簧座
820079

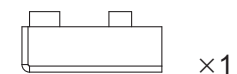
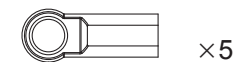
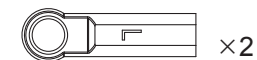


Damper adjuster ×4
避震器拉桿
820079

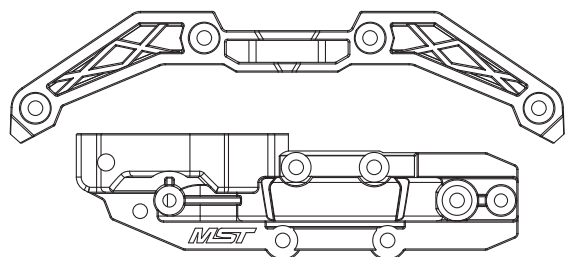
PARTS



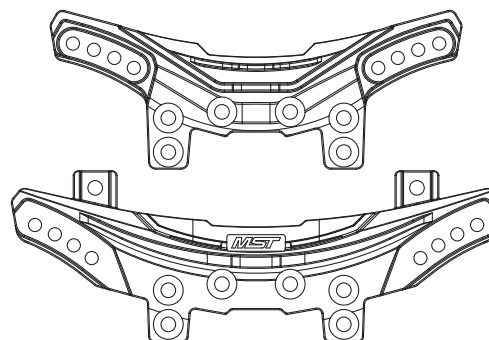
XXX lower beck
XXX 底盤
210099



XXX Adjuster & servo mount set ×2
XXX 拉桿頭&伺服機座
210095

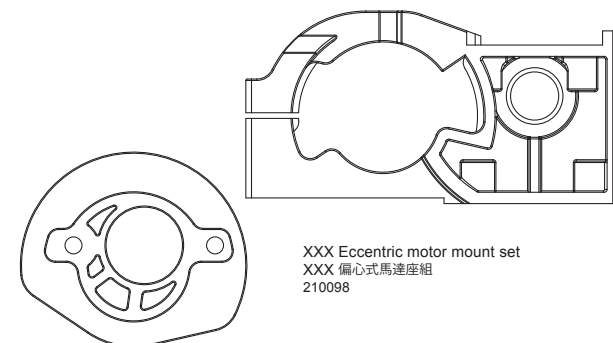


XXX Gear dust cover & brace
XXX 齒箱防塵殼&補強架
210097

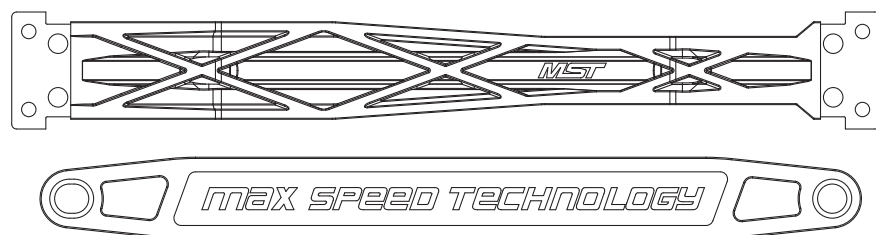


XXX Front damper stay
XXX 前避震架
230001

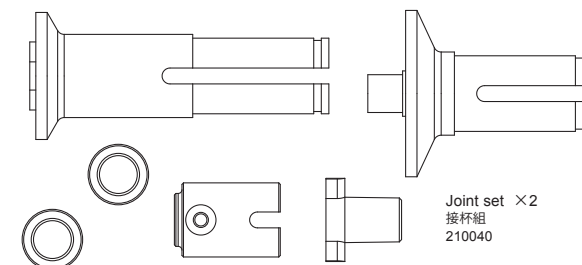
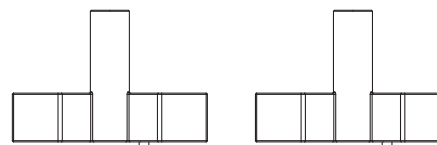
XXX Rear damper stay
XXX 後避震架
230002



XXX Eccentric motor mount set
XXX 偏心式馬達座組
210098

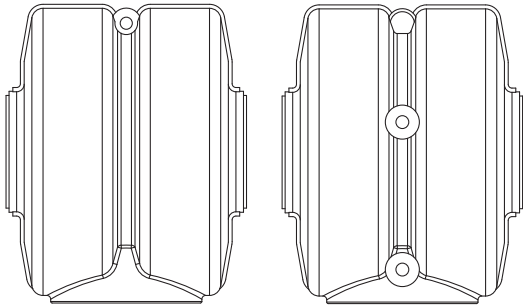


XXX Upper deck & battery strap
XXX 二樓板&電池壓板組
210100

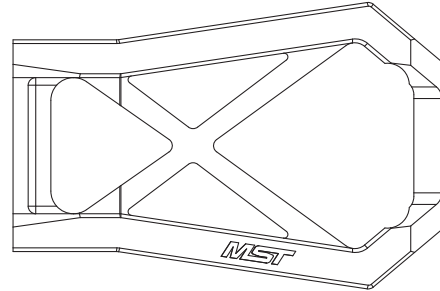
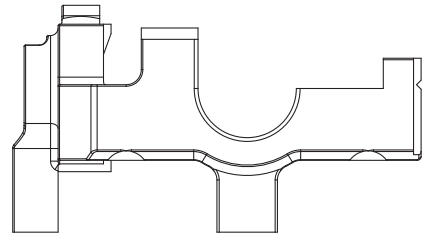


Joint set ×2
接杯組
210040

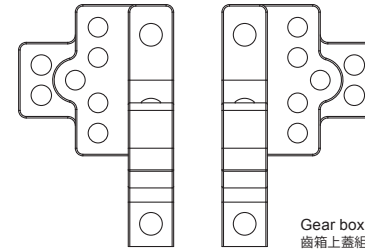
PARTS



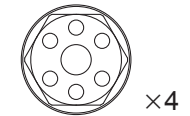
Bevel diff dust cover
傘差防塵殼
210027



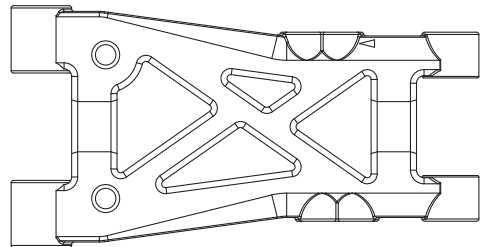
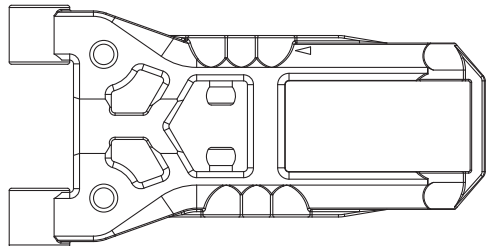
Bevel gear box set
傘齒座組
210041



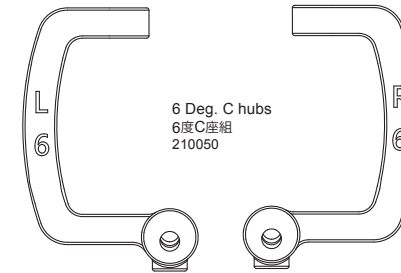
Gear box cover set × 2
齒箱上蓋組
210039



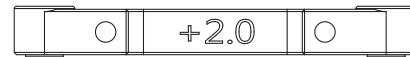
XXX Hex. wheel hubs & spacer set
XXX 六角輪座&墊片組
210046



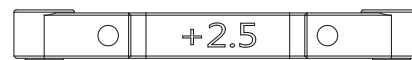
F & R lower arms
前後下擺臂組
210045



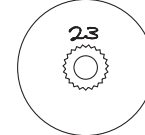
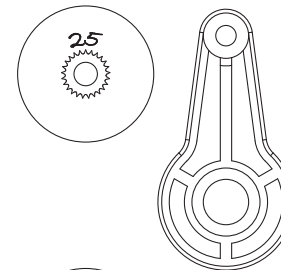
Lower arm mount -0.5 × 1
下擺臂座 -0.5
210083



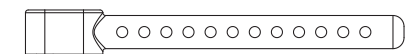
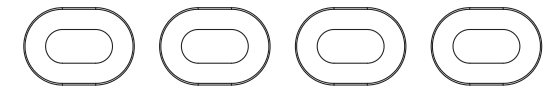
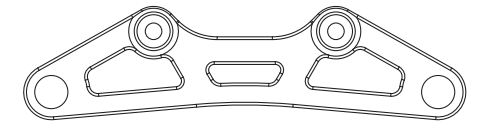
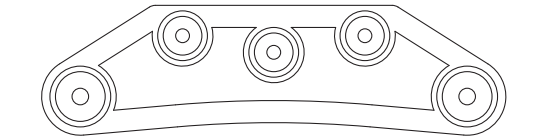
Lower arm mount +2.0 × 2
下擺臂座 +2.0
210085



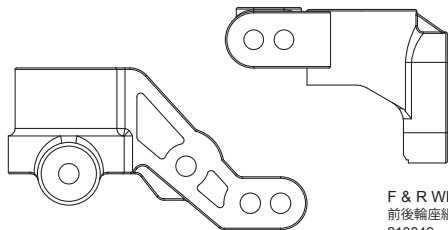
Lower arm mount +2.5 × 1
下擺臂座 +2.5
210086



Universal servo saver set
通用型伺服器緩衝組
820042

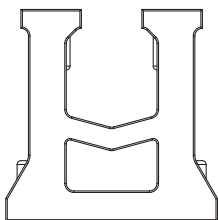
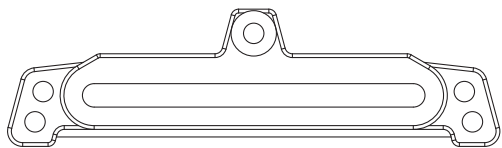


C PARTS - bumper set
C 部品 - 防撞板組
210002

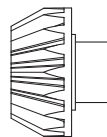
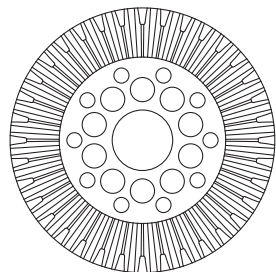
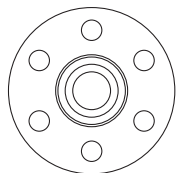


F & R Wheel hubs
前後輪座組
210049

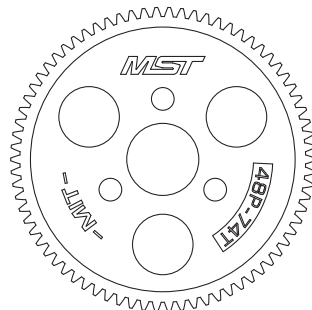
PARTS



Gear holder steering rail set
齒座搖臂滑軌組
210042

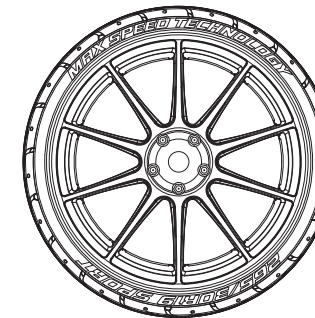
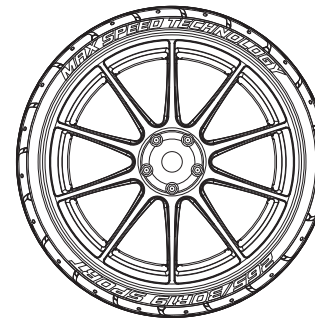
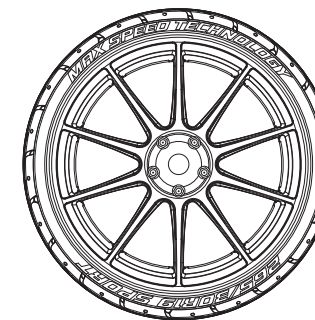
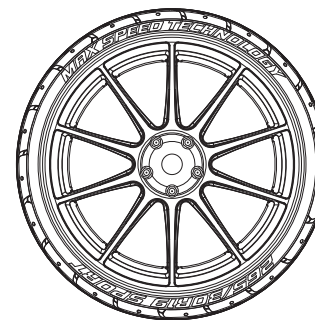


Bevel gear set 36-17T ×2
傘齒組 36-17T
210034

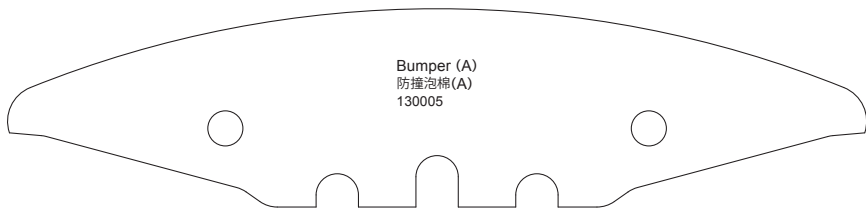


Spur gear 48P-74T
大直齒 48P-74T
210096

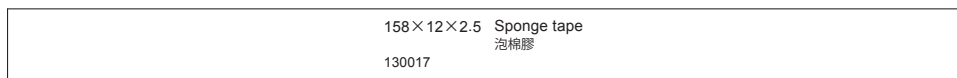
MST 48P Pinion Gear 20T
MST 48P 馬達齒 20T
148020



Realistic wheel & tire set
像真胎框組
103021



Bumper (A)
防撞泡棉(A)
130005



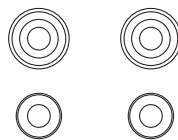
158×12×2.5 Sponge tape
泡棉膠
130017



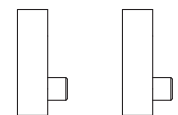
20×80×1 Sponge
吸震泡棉
130034



6.5×2 Sponge
泡棉
130021



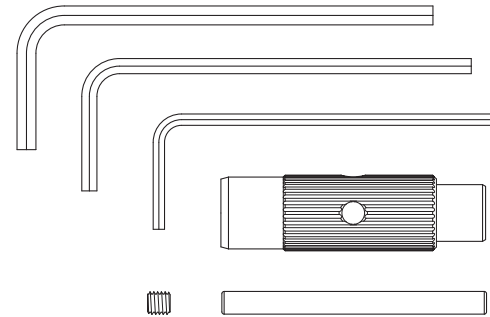
Rail pulley spacer set (black)
滑軌滑輪墊片組(黑)
210037BK



Body post extension mount 4mm
車殼柱延伸座 4mm
210029



XXX Alum. propeller shaft
XXX 鋁合金中傳軸
210219



Tools
工具包
130036



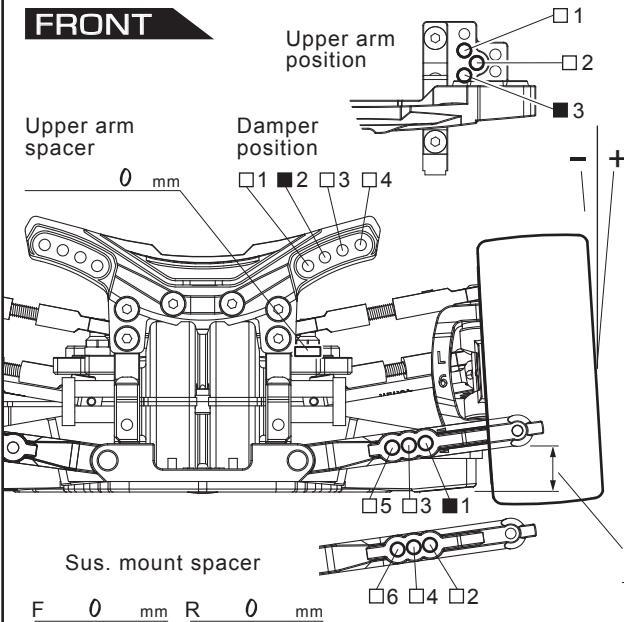
5.5×4 Wrench
板手

NAME: _____ DATE: _____ AIR TEMP.: _____ HUMIDITY: _____

TRACK: _____ TRACK CONDITION: _____ TRACK TEMP.: _____



FRONT



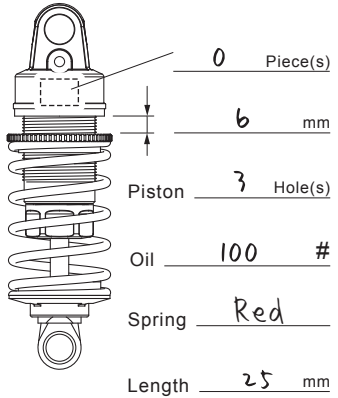
Camber angle -3 °

Ground clearance 6 mm

Front drive: One-way
 Direct
 Ball Diff.

Stabilizer: 1.0
 1.2
 1.4

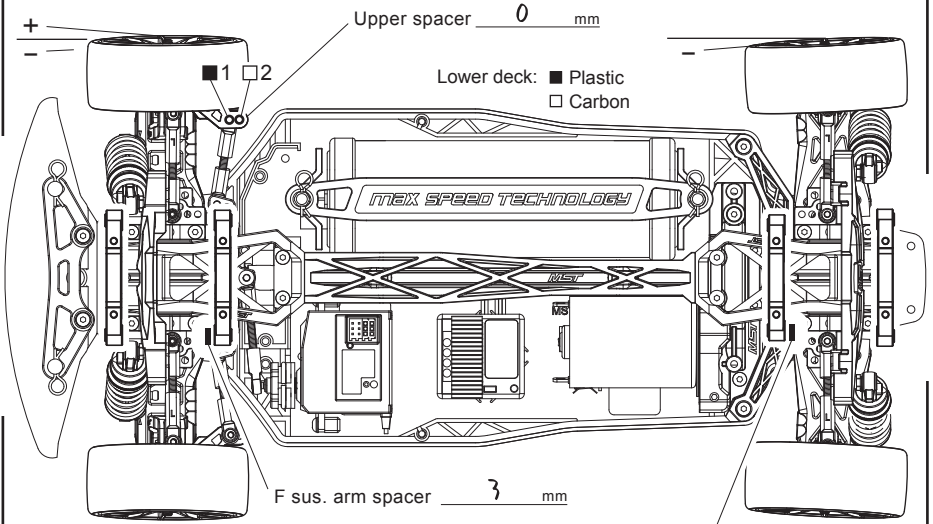
Wheel spacer 0 mm



Memo _____

F sus. mount Front +2.0 Rear +2.0 R sus. mount Front -0.5 Rear +2.5

Toa angle (front) -1 °



Motor M54 26T

Spur gear 74 T Pinion gear 20 T

Battery _____

Body _____

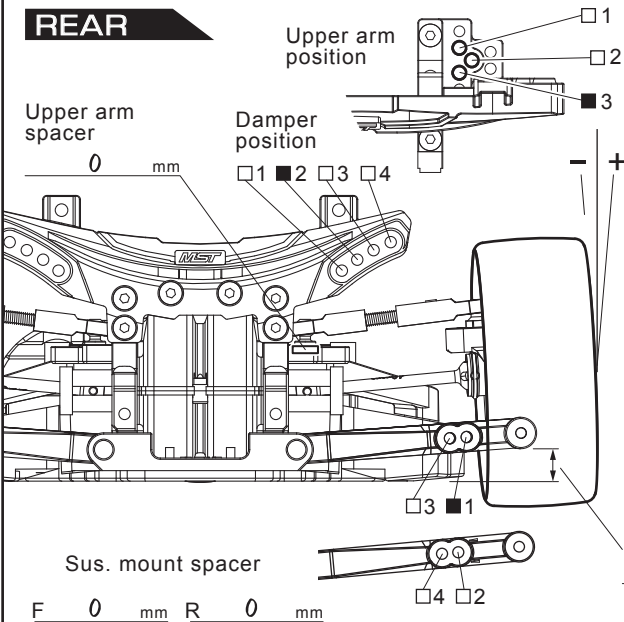
Wing _____

Tire _____

Wheel _____

Tin insert _____

REAR



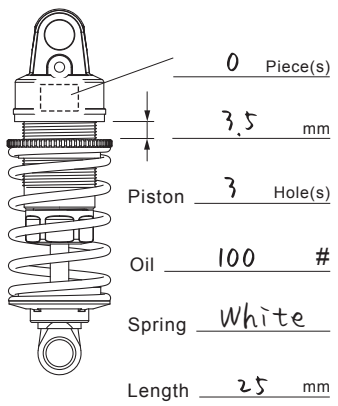
Camber angle -2 °

Ground clearance 5 mm

Rear drive: Ball Diff.
 Gear Diff.

Stabilizer: 1.0
 1.2
 1.3

Wheel spacer 0 mm



Memo _____

Best lap _____

OPTIONAL PARTS

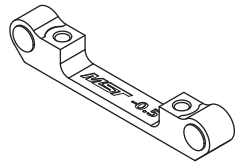
改裝品

UPGRADE OPTIONS

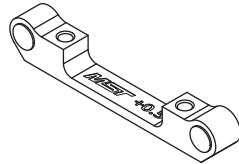
改裝套件

Full option parts let players to upgrade car according to their necessary and enjoy the fun in upgrading.

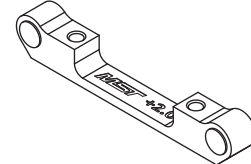
豐富完整的升級套件，讓玩家充分享受改裝及升級的樂趣。



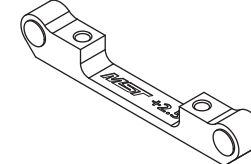
820036
Alum. suspension mount (-0.5)
鋁合金擺臂座 (-0.5)



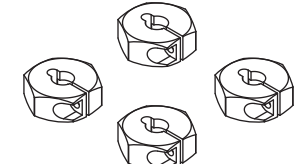
820037
Alum. suspension mount (+0.5)
鋁合金擺臂座 (+0.5)



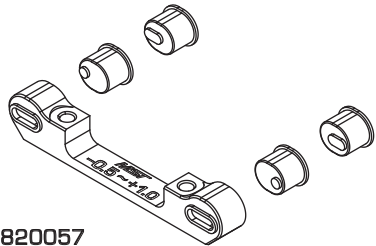
820038
Alum. suspension mount (+2.0)
鋁合金擺臂座 (+2.0)



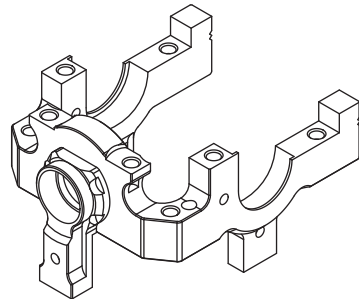
820039
Alum. suspension mount (+2.5)
鋁合金擺臂座 (+2.5)



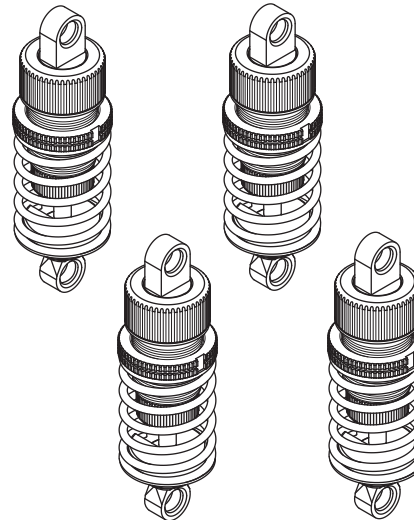
820043
Alum. hex. wheel hubs 5mm
鋁合金六角輪座 5mm



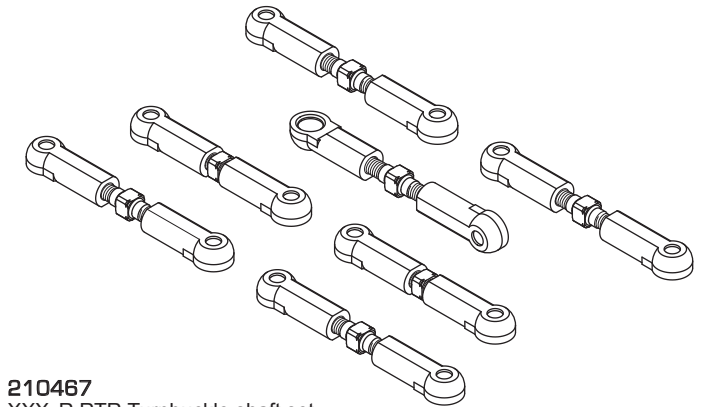
820057
Adjustable alum. suspension mount (-0.5-+1.0)
可調式鋁合金擺臂座 (-0.5-+1.0)



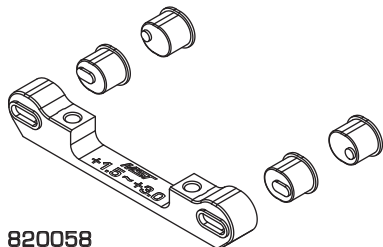
210257
XXX-D PRO Alum. gear box
XXX-D PRO 鋁合金傘齒箱



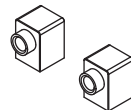
210115
Alum. damper set
鋁合金避震器組



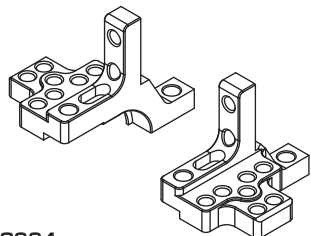
210467
XXX-R RTR Turnbuckle shaft set
XXX-R RTR 全車可調拉桿組



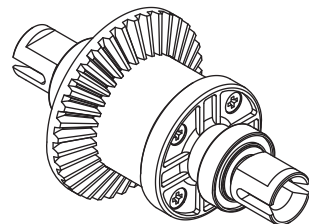
820058
Adjustable alum. suspension mount (+1.5-+3.0)
可調式鋁合金擺臂座 (+1.5-+3.0)



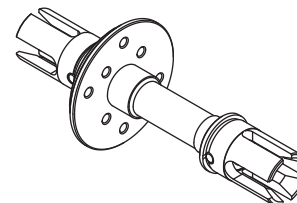
820076
Alum. short servo mount set
鋁合金短伺服機座組



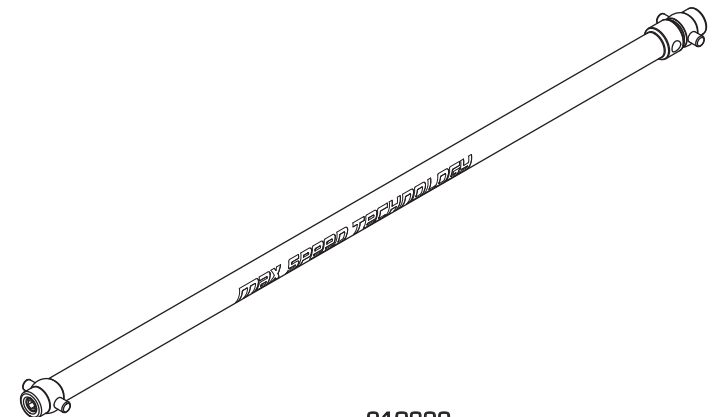
210234
XXX Alum. gear box cover
XXX 鋁合金齒箱上蓋



210288
XXX Reinforced bevel diff. assembly
XXX 強化式傘齒總成組



210223
XXX Alum. spool unit
XXX 鋁合金直軸組



210399
XXX Alum. lightweight propeller shaft
XXX 鋁合金輕量化中傳軸

PARTS CODE

110001	Round head screw M3X6 (10)	110042	Countersunk screw M2X6 (6)	148020	MST 48P Pinion gear 20T	210086	Lower arm mount +2.5	310036	Lower arm shaft 3X46 (4)
110002	Round head screw M3X8 (10)	110044	Round head screw M2X6 (6)	210002	C PARTS-bumper set	210095	XXX Adjuster & servo mount set	310037	Ball connector 4.8X9 (2)
110004	Round head screw M2X4 (6)	110045	Round head screw M2X8 (partial thread) (6)	210027	Bevel diff dust cover	210096	Spur gear 48P-74T	310038	Wheel axle (2)
110005	Countersunk screw M3X8 (10)	110046	Shaft 2X9.8 (8)	210029	Body post extension mount 4mm	210097	XXX Gear dust cover & brace	310053	Spring retainer (red) (2)
110007	Set screw M3X6 (6)	110047	Spacer 3X6X0.5 (8)	210034	Bevel gear set 36-17	210098	XXX Eccentric motor mount set	310054	Copper ball connector 4.8X4.5 (4)
110008	Set screw M3X25 (6)	110051	Flat head screw M3X5 (5)	210037	Rail pulley spacer set	210099	XXX Lower deck	310055	Copper hex ball 4.8 (4)
110009	Set screw M3X20 (6)	110053	Cap screw M2.5X30 (2)	210039	Gear box cover set	210100	XXX Upper deck & battery strap	820013	Spacer 3X5X0.2 (8)
110013	E-clip 2.0 (10)	110054	Set screw M3X8 (10)	210040	Joint set	210219	XXX Alum. propeller shaft (red)	820014	Spacer 3X5X0.3 (8)
110015	Flange nut M4 (4)	110055	G-clip 10.0 (10)	210041	Bevel gear box set	210304	Steel CVD universal shaft 40 (40°) (2)	820020	Spacer 5X7X0.3 (8)
110016	R-clip 6.0 (10)	110060	Set screw M3X2.6 (10)	210042	Gear holder steering rail set	210344	Ball connector nut L 4.8 (4)	820024	Spacer 10X12X0.3 (8)
110017	Shaft 2X9.8 (10)	110061	Round head screw M3X14 (6)	210045	F & R lower arms	230001	XXX Front damper stay	820030	Cross joint (2)
110020	Steel ball 3.0 (13)	120001	Ball bearing 10X15 (4)	210046	XXX Hex. wheel hubs & spacer set	230002	XXX Rear damper stay	820042	Universal servo saver set
110023	Set screw M3X16 (6)	120002	Ball bearing 5X10 (4)	210050	6 Deg. C hubs	310008	Piston rod (4)	820079	Damper plastic maintenance set (2)
110026	Round head screw M3X10 (10)	120007	Ball bearing 8X14 (2)	210057	Damper cap set	310029	Rail post (2)	210049	F & R Wheel hubs
110029	Round head screw M3X12 (6)	130001	Damper O-ring P3 (red) (10)	210071	Damper cylinder (2)	310030	Bevel gear - long arbor	210266-3	Coil spring 25mm (soft) (red) (2)
110032	Set screw M3X10 (6)	130004	Oil seal (4)	210081	Spacer 5X8X2.5 (4)	310031	Bevel gear - short arbor	210266-4	Coil spring 25mm (super soft) (white) (2)
110035	Set screw M3X3 (6)	130005	Bumper (A)	210082	Piston spacer set	310032	Diff. screw & spring set	103021	AD realistic tire + 5H wheel (4)
110039	Cap screw M1.6X4 (10)	130021	Sponge 6.5X2 (10)	210083	Lower arm mount -0.5	310033	Diff. plate (2)	103022	AD realistic tire + TE wheel (4)
110041	Countersunk screw M3X5 (10)	130032	Damper cap O-ring (10)	210085	Lower arm mount +2.0	310035	Lower arm shaft 2.6X22&25 (each one pair)		

OPTION PARTS CODE

210115R	Alum. damper set (red) (4)	210230R	XXX Alum. spur gear holder (red)	210399R	XXX Alum. lightweight propeller shaft set (red)	820039R	Alum. suspension mount (+2.5) (red)	820059	Suspension mount spacer 0.2mm (10)
210142R	Alum. bumper support (red)	210234R	XXX Alum. gear box cover (red)	210410R	XXX Alum. slide rack steering set (red)	820043R	Alum. hex. wheel hubs 5mm (red) (4)	820063R	Suspension mount spacer 0.5mm (4) (red)
210213	XXX Carbon front damper stay 3.5	210238	Alum. propeller shaft joint (2)	210466R	XXX Alum. eccentric motor mount (red)	820044R	Alum. hex. wheel hubs 4mm (red) (4)	820070	Machined piston 3X0.8 (4)
210214	XXX Carbon rear damper stay 3.5	210257R	XXX-D PRO Alum. gear box (red)	210467R	XXX-R RTR Turnbuckle shaft set (red)	820046R	Alum. damper retainer (lower type) (4) (red)	820071	Machined piston 3X1.0 (4)
210215	XXX Carbon upper deck 2.5	210266	Coil spring set 25mm (8)	820034	Double cardan joint shaft 40	820048R	Wheel hub spacer 0.5 (red) (4)	820072	Machined piston 6X0.6 (4)
210223R	XXX Alum. spool unit (red)	210353	FXX Alum. ball diff.	820036R	Alum. suspension mount (-0.5) (red)	820049R	Wheel hub spacer 1.0 (red) (4)	820076R	Alum. short servo mount set (red)
210227R	XXX Alum. upper deck support (red)	210378	Wide balancing bumper	820037R	Alum. suspension mount (+0.5) (red)	820057R	Adjustable alum. suspension mount (-0.5~+1.0) (red)	820086R	Alum. 8-adjusting servo saver (red)
210228R	XXX Alum. connector (red)	210381	Car body post set	820038R	Alum. suspension mount (+2.0) (red)	820058R	Adjustable alum. suspension mount (+1.5~+3.0) (red)		

部品編號

110001	六角半圓頭螺絲 M3X6 (10)	110042	六角沉頭螺絲 M2X6 (6)	148020	MST 48P 馬達齒 20T	210086	下擺臂座 +2.5	310036	下擺臂插銷 3X46 (4)
110002	六角半圓頭螺絲 M3X8 (10)	110044	六角半圓頭螺絲 M2X6 (6)	210002	C PARTS-防撞板組	210095	XXX 拉桿 & 伺服機座	310037	內六角球頭 4.8X9 (2)
110004	六角半圓頭螺絲 M2X4 (6)	110045	六角半圓頭螺絲 M2X8 (半牙) (6)	210027	傘蓋防塵殼	210096	大齒盤 48P-74T	310038	萬向接杆 (2)
110005	六角沉頭螺絲 M3X8 (10)	110046	插銷 2X9.8 (剖溝) (8)	210029	車殼柱延伸座 4mm	210097	XXX 齒箱防塵殼&補強架	310053	避震器調整環 (紅) (2)
110007	六角止付螺絲 M3X6 (6)	110047	墊片 3X6X0.5 (8)	210034	傘齒組 36-17	210098	XXX 偏心式馬達座組	310054	鋼製內六角球頭 4.8X4.5 (4)
110008	六角止付螺絲 M3X25 (6)	110051	十字扁頭螺絲 M3X5 (5)	210037	滑軌滑輪墊片組	210099	XXX 底座	310055	鋼製外六角球頭 4.8 (4)
110009	六角止付螺絲 M3X20 (6)	110053	六角有頭螺絲 M2.5X30 (半牙) (2)	210039	齒箱上蓋組	210100	XXX 二樓板 & 電池壓板組	820013	墊片 3X5X0.2 (8)
110013	E扣 2.0 (10)	110054	六角止付螺絲 M3X8 (10)	210040	接杆組	210219	XXX 鋁合金中傳軸 (紅)	820014	墊片 3X5X0.3 (8)
110015	凸緣螺帽 M4 (4)	110055	G扣 10.0 (10)	210041	傘齒座組	210304	鋼製CVD傳動軸 40 (40°) (2)	820020	墊片 5X7X0.3 (8)
110016	R銷 6.0 (10)	110060	六角止付螺絲 M3X2.6 (10)	210042	齒座搖臂滑軌組	210344	球頭螺帽 L 4.8 (4)	820024	墊片 10X12X0.3 (8)
110017	插銷 2X9.8 (10)	110061	六角半圓頭螺絲 M3X14 (6)	210045	前後六角輪螺絲	230001	XXX 前避震架	820030	連接軸 (2)
110020	差速鋼珠 3.0 (13)	120001	培林 10X15 (4)	210046	XXX 六角輪座&墊片組	230002	XXX 後避震架	820042	通用型伺服緩衝組
110023	六角止付螺絲 M3X16 (6)	120002	培林 5X10 (4)	210050	6度C座組	310008	避震軸心 (4)	820079	避震膠件包 (2)
110026	六角半圓頭螺絲 M3X10 (10)	120007	培林 8X14 (2)	210057	避震器上下蓋組	310029	滑軌支柱 (2)	210049	前後輪座組
110029	六角半圓頭螺絲 M3X12 (6)	130001	阻尼器O環 P3 (紅) (10)	210071	避震器筒身 (2)	310030	傘齒長軸	210266-3	避震彈簧 25mm (軟) (紅) (2)
110032	六角止付螺絲 M3X10 (6)	130004	避震氣室 (4)	210081	墊片 5X8X2.5 (4)	310031	傘齒短軸	210266-4	避震彈簧 25mm (超軟) (白) (2)
110035	六角止付螺絲 M3X3 (6)	130005	防撞泡棉 (A)	210082	避震器活塞墊片組	310032	滾差彈簧螺絲組	103021	AD像真胎 + 5H框 (4)
110039	六角有頭螺絲 M1.6X4 (10)	130021	泡棉 6.5X2 (10)	210083	下擺臂座 -0.5	310033	滾差壓板 (2)	103022	AD像真胎 + TE框 (4)
110041	六角沉頭螺絲 M3X5 (10)	130032	避震上蓋O環 (10)	210085	下擺臂座 +2.0	310035	下擺臂插銷 2.6X22&25 (各一對)		

改裝品編號

210115R	鋁合金避震器組 (紅) (4)	210230R	XXX 鋁合金大齒盤座 (紅)	210399R	XXX 鋁合金輕量化中傳軸組 (紅)	820039R	鋁合金擺臂座 (+2.5) (紅)	820059	擺臂座墊片 0.2mm (10)
210142R	鋁合金防撞板上蓋 (紅)	210234R	XXX 鋁合金齒箱上蓋 (紅)	210410R	XXX 鋁合金轉向滑軌組 (紅)	820043R	鋁合金六角輪座 5mm (紅) (4)	820063R	擺臂座墊片 0.5mm (4) (紅)
210213	XXX 碳纖維前避震架 3.5	210238	鋁合金中軸接杆 (2)	210466R	XXX 鋁合金偏心式馬達固定座 (紅)	820044R	鋁合金六角輪座 4mm (紅) (4)	820070	切削避震活塞 3X0.8 (4)
210214	XXX 碳纖維後避震架 3.5	210257R	XXX-D PRO 鋁合金傘齒箱 (紅)	210467R	XXX-R RTR 全車可調拉桿組 (紅)	820046R	鋁合金彈簧座 (降低型) (4) (紅)	820071	切削避震活塞 3X1.0 (4)
210215	XXX 碳纖維二樓板 2.5	210266	避震彈簧組 25mm (8)	820034	雙萬向節傳動軸組 40	820048R	輪座墊片 0.5 (紅) (4)	820072	切削避震活塞 6X0.6 (4)
210223R	XXX 鋁合金直軸組 (紅)	210353	FXX 鋁合金滾珠差速器	820036R	鋁合金擺臂座 (-0.5) (紅)	820049R	輪座墊片 1.0 (紅) (4)	820076R	鋁合金短伺服機座組 (紅)
210227R	XXX 鋁合金二樓板連結座 (紅)	210378	寬形配重防撞板	820037R	鋁合金擺臂座 (+0.5) (紅)	820057R	可調式鋁合金擺臂座 (-0.5~+1.0) (紅)	820086R	鋁合金8段調整緩衝組 (紅)
210228R	XXX 鋁合金連結架 (紅)	210381	車殼支柱組	820038R	鋁合金擺臂座 (+2.0) (紅)	820058R	可調式鋁合金擺臂座 (+1.5~+3.0) (紅)		

Color 顏色	Red 紅
Remark 標示	R