



1/10 RC 4WD

HIGH PERFORMANCE OFF ROAD CAR

MST
MAX SPEED TECHNOLOGY



ASSEMBLY KIT

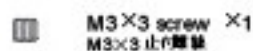
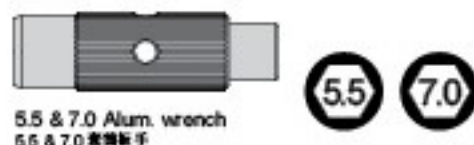
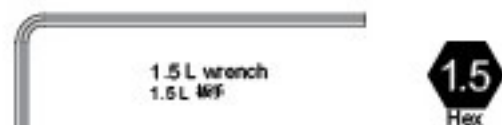
INSTRUCTION MANUAL



WHEELBASE : 242 / 252 / 267mm [adjustable]
WIDTH : 195mm
GEAR RATIO = 1:31.7~1:46.7
TIRE WIDTH / DIAMETER : 30x90mm
Shaft-Driven Full-Time 4WD
Front and Rear Solid-axle

WWW.RC-MST.COM

※SPECIFICATION ARE SUBJECT TO CHANGE WITHOUT NOTICE



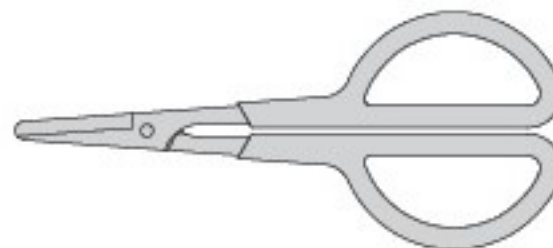
NECESSARY TOOLS FOR ASSEMBLY (NOT INCLUDED IN KIT) 工具需求 (不附)



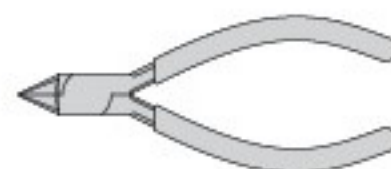
Hobby knife
美工刀



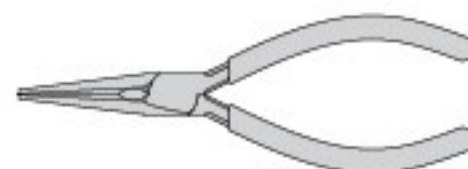
Screwdriver
螺絲起子



Scissors
剪刀



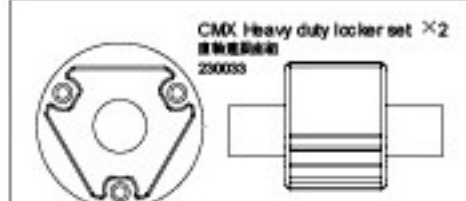
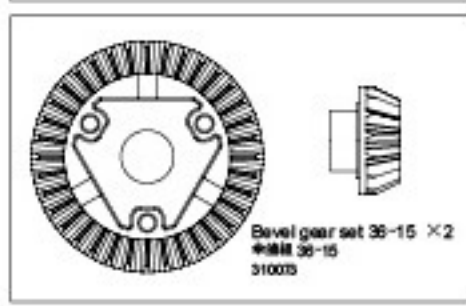
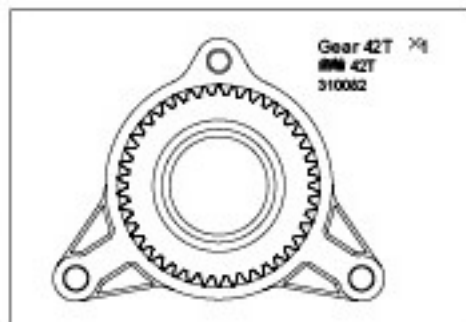
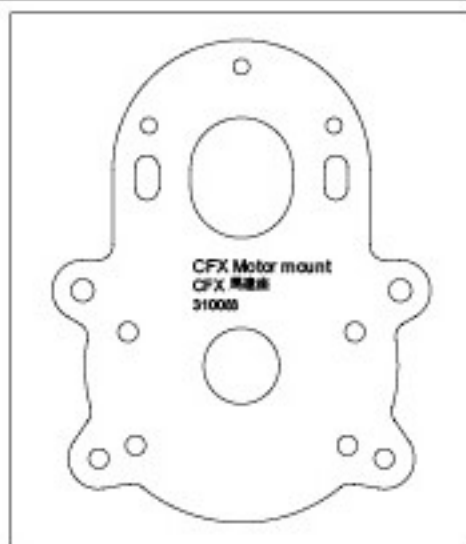
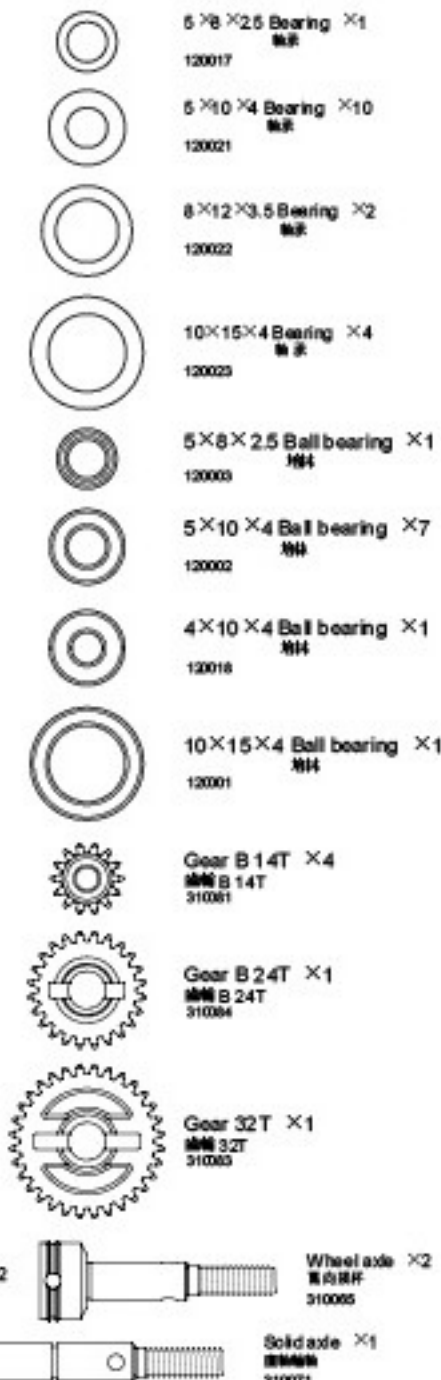
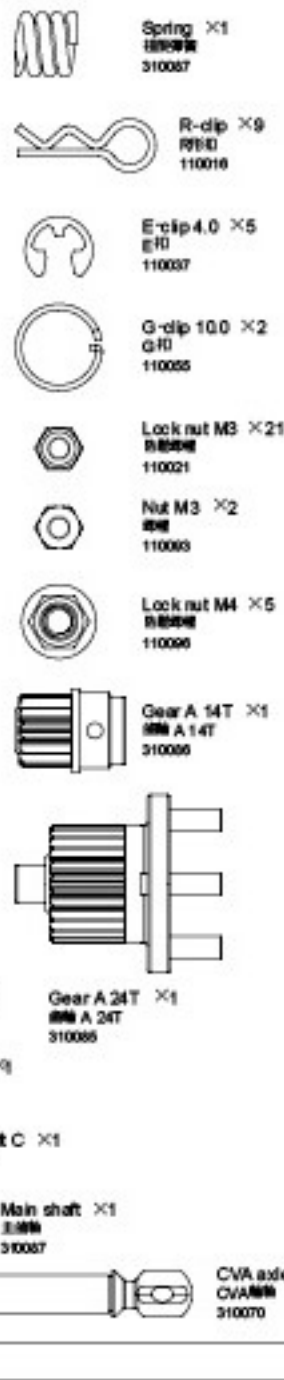
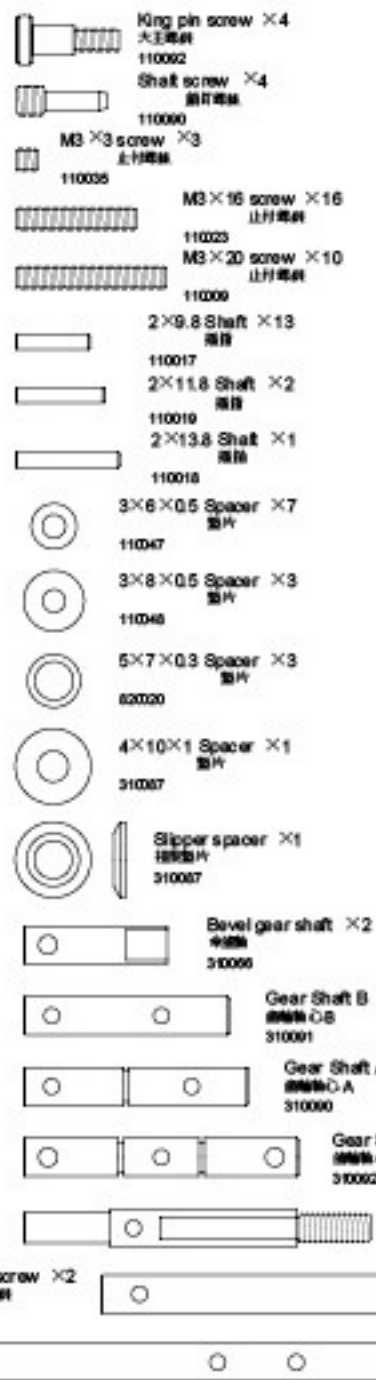
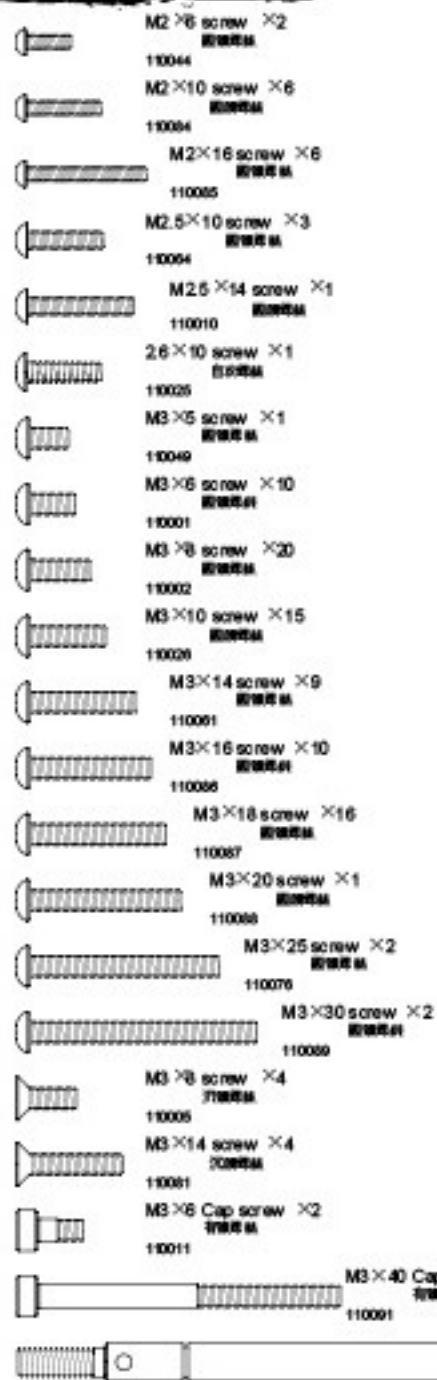
Side cutter
鉗



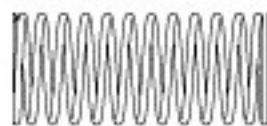
Needle nose pliers
尖嘴鉗

Please follow the assembling figures and instructions closely
for your [CFX] best performance!
請依照說明書顯示步驟及說明書 [CFX] 最佳效能!

PARTS



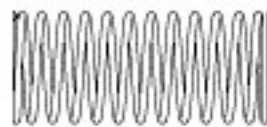
PARTS



Coil spring 45mm hard silver) ×4
 避震彈簧 45mm (硬銀色)
 210029



Coil spring 45mm (medium) gold) ×4
 避震彈簧 45mm (中色)
 210030



Coil spring 45mm (soft red) ×4
 避震彈簧 45mm (軟紅)
 210031



Piston rod ×4
 避震彈簧心
 310072



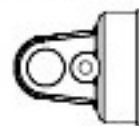
E-clip ×10
 E扣
 110013



Damper cylinder ×4
 避震筒
 230015



Piston ×4
 活塞
 230015



Cylinder cap ×4
 避震筒上蓋
 210057



Spring spacer ×4
 彈簧間距墊片 1mm
 200015



Rod guide cap ×4
 避震筒下蓋
 210057



Spring spacer ×4
 彈簧間距墊片 2mm
 200015



Damper retainer ×4
 避震筒彈簧蓋
 230015



Spring spacer ×4
 彈簧間距墊片 4mm
 200015



Spring holder ×4
 彈簧托環
 230015



Damper adjuster ×4
 避震筒調整器
 230015



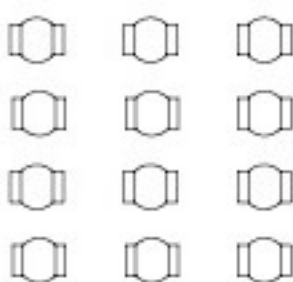
10.8 × 0.9 O-ring ×4
 O環
 130052



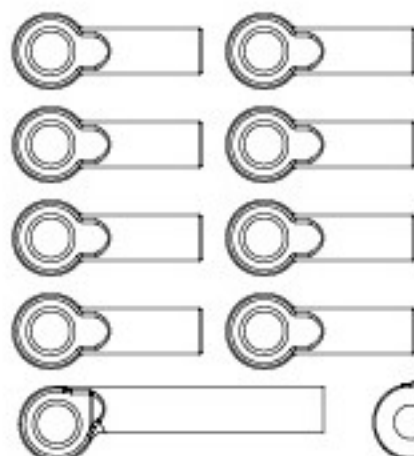
Damper O-ring P3 ×8
 避震筒O環
 130052



CMX Ball connector set ×2
 CMX 球彈簧
 230016



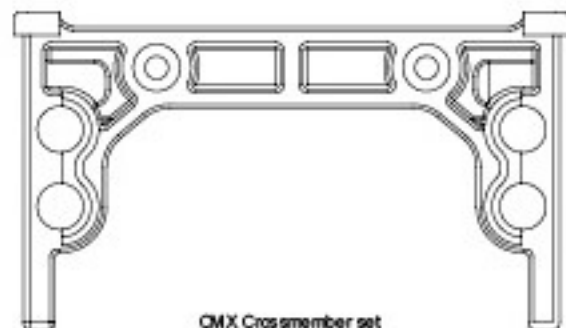
CMX Drive shaft ×2
 CMX 傳動軸
 230016



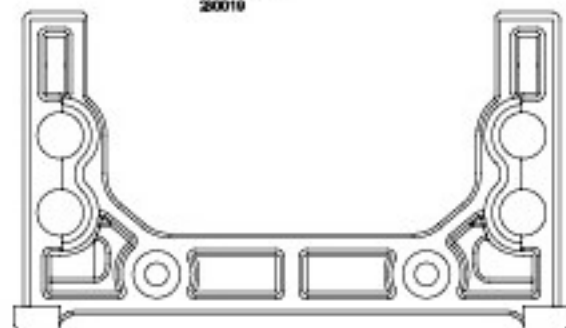
CMX Link set ×2
 CMX 球彈簧
 230017



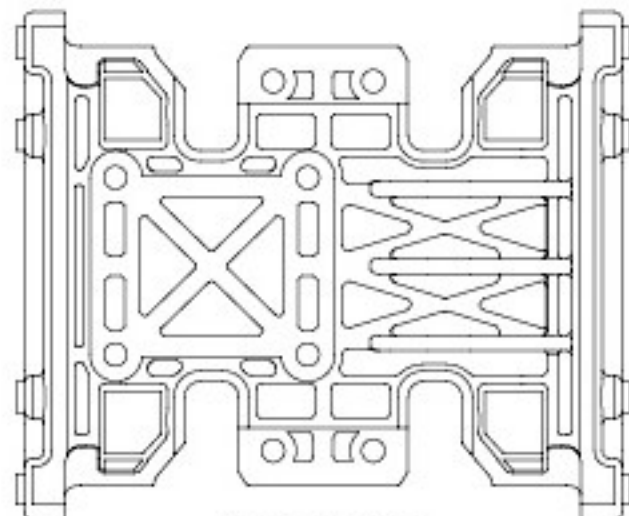
CMX Drive shaft ×2
 CMX 傳動軸
 230016



CMX Crossmember set
 CMX 橫樑
 200019

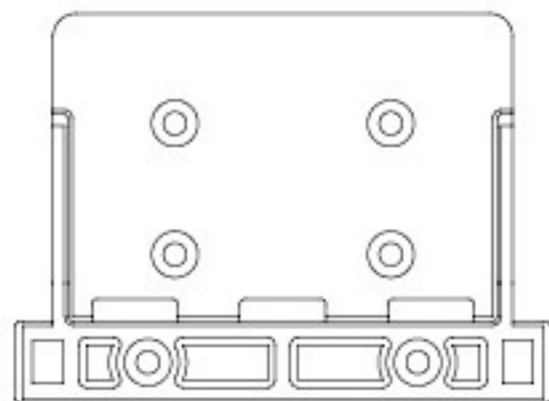


CMX Crossmember set
 CMX 橫樑
 200019

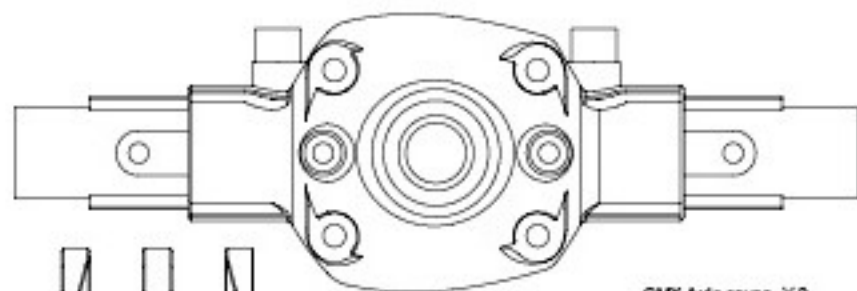


CMX Gear box chassis set
 CMX 減速機底盤
 200020

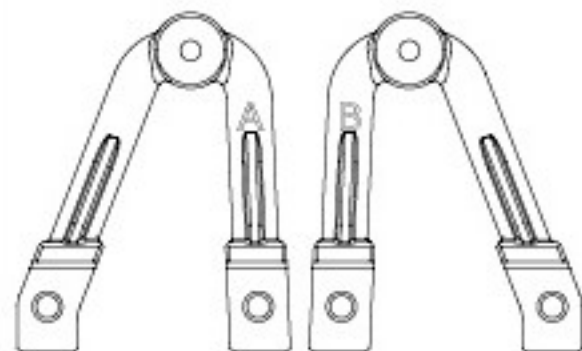
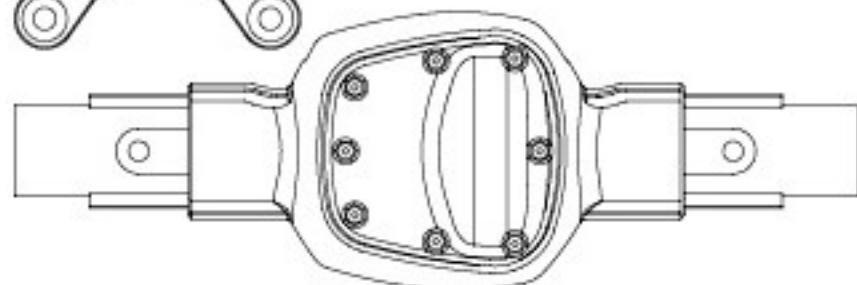
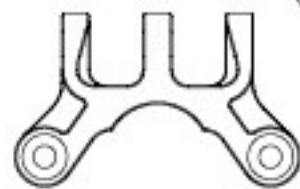
PARTS



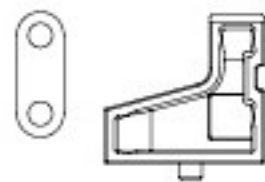
MX Receiver case set
MX 接收器底座
230021



MX Axle cover ×2
MX 軸套
230022



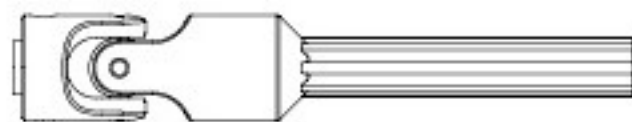
MX Damper stay set ×2
MX 避震器
230023



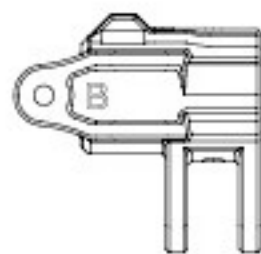
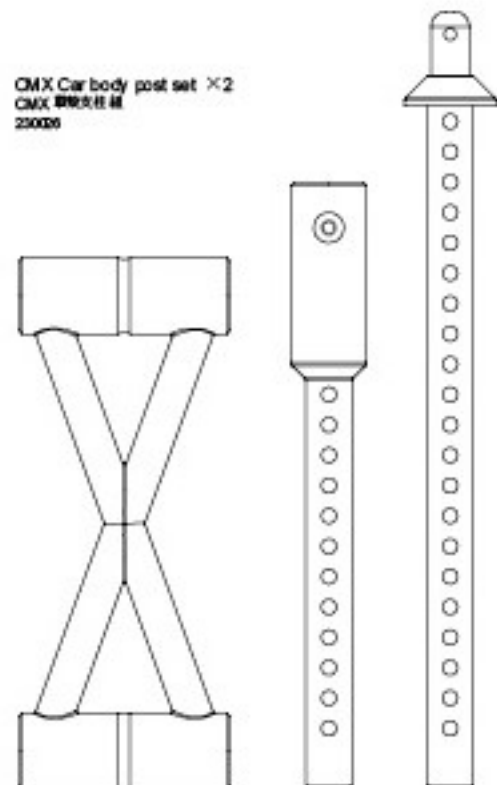
Bulhead plate
凸頭板
310009



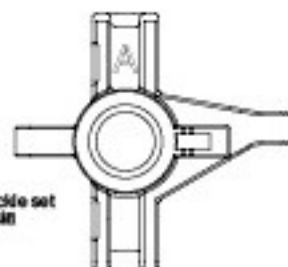
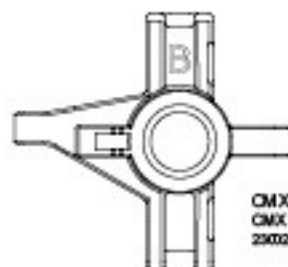
MX Wheelbase 267mm accessories
MX 輪距267mm配件
230029



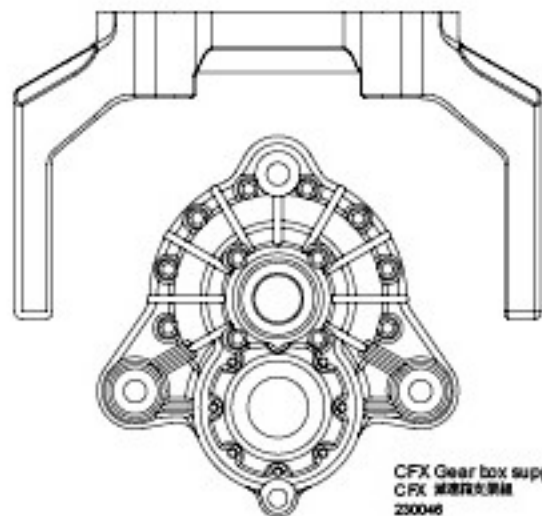
MX Car body post set ×2
MX 車身柱
230030



MX C hub carrier set
MX 輪C 殼
230024



MX Knuckle set
MX 輪B 殼
230025



CFX Gear box support
CFX 減速機支撐組
230046



M06 Spur gear 62T
M06 大齒輪 62T
230034



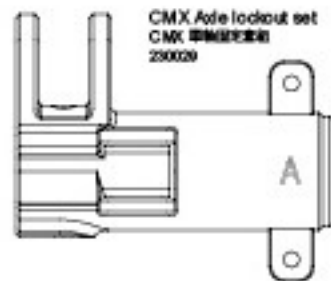
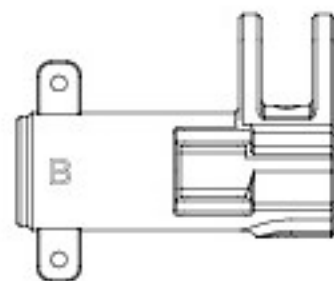
KM Crawler tire 30x90-1.9" x4
KM 履帶胎 30x90-1.9"
101034



CFX Deceleration
gear box set
CFX 減速機
230046



CFX Transfer case set
CFX 分動箱組
230047

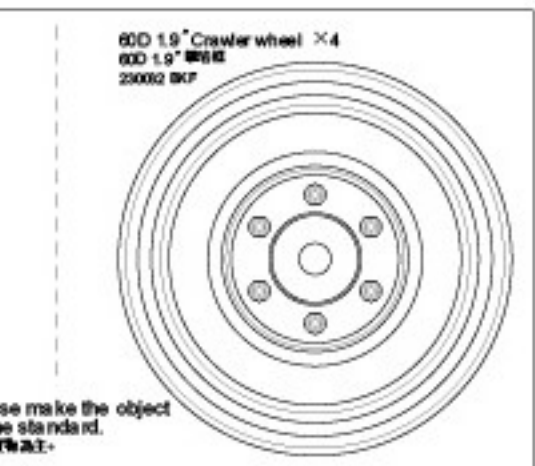
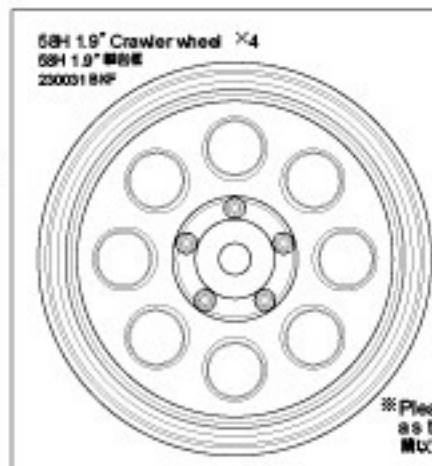
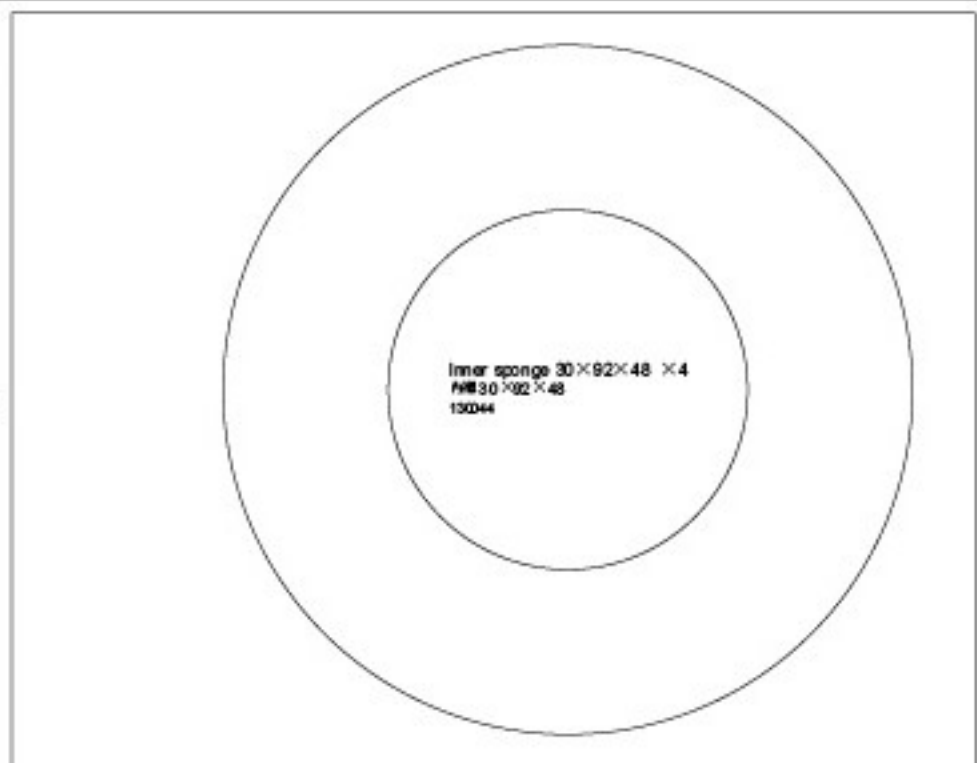
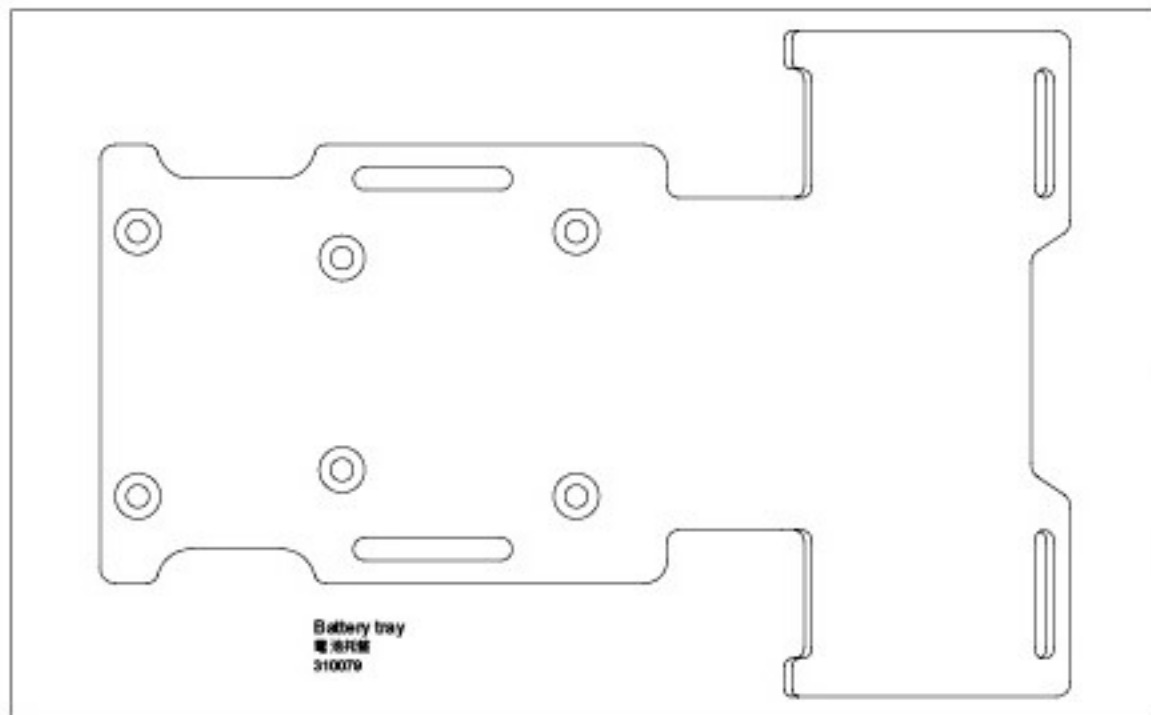
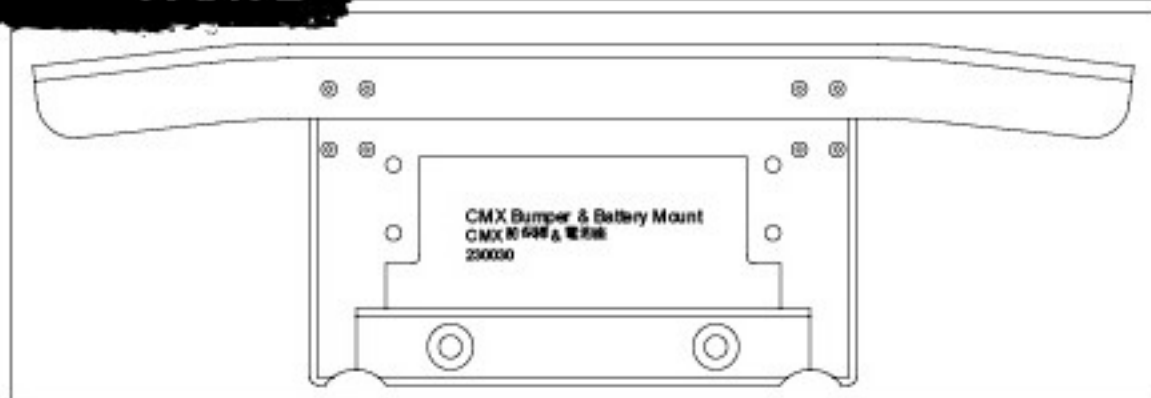


CMX Axle lockout set
CMX 車軸鎖止組
230029

CMX Chassis rail x2
CMX 大梁
310075





PARTS



TRANSMISSION


减速机

 M2.5×10 screw ×3
M2.5×10 螺钉


 M2.5×14 screw ×1
M2.5×14 螺钉


 M3×10 screw ×6
M3×10 螺钉


 M3×16 screw ×1
M3×16 螺钉

 M3×6 cap screw ×2
M3×6 六角螺栓


 M3×40 cap screw ×2
M3×40 六角螺栓


 5×8×2.5 Bearing ×1
轴承

 5×8×2.5 Ball bearing ×1
球轴承

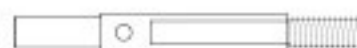
 4×10×4 Ball bearing ×1
球轴承


 5×10×4 Ball bearing ×3
球轴承


 10×15×4 Ball bearing ×1
球轴承


 2×9.8 Shaft ×2
轴

 Gearshaft A ×1
齿轮轴 A


 Main shaft ×1
主轴

 3×6×0.5 Spacer ×2
垫片

 5×7×0.3 Spacer ×1
垫片

 4×10×1 Spacer ×1
垫片

 Slipper spacer ×1
轴套

 E-clip 4.0 ×1
E型卡

 Bearing holder ×1
轴承套

 Lock nut M4 ×1
防松螺母

 Spring ×1
弹簧

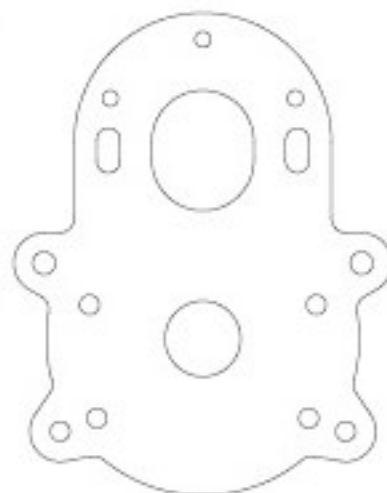
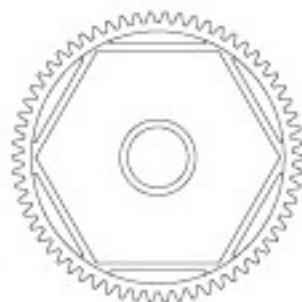
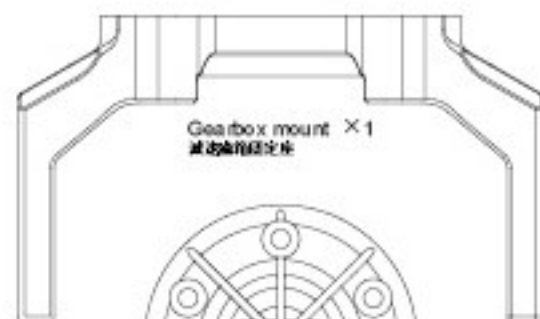
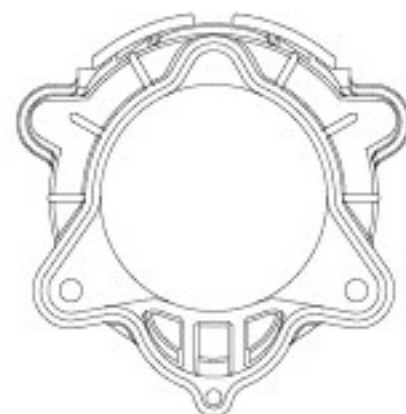
 Gear B 14T ×4
齿轮 B 14T

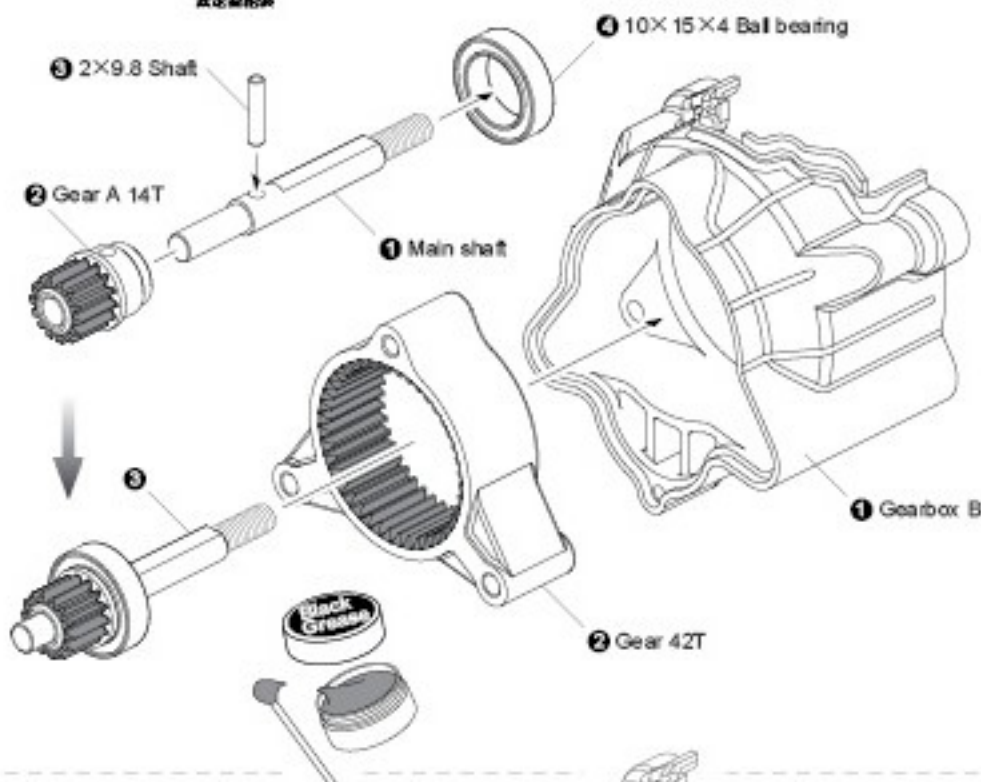
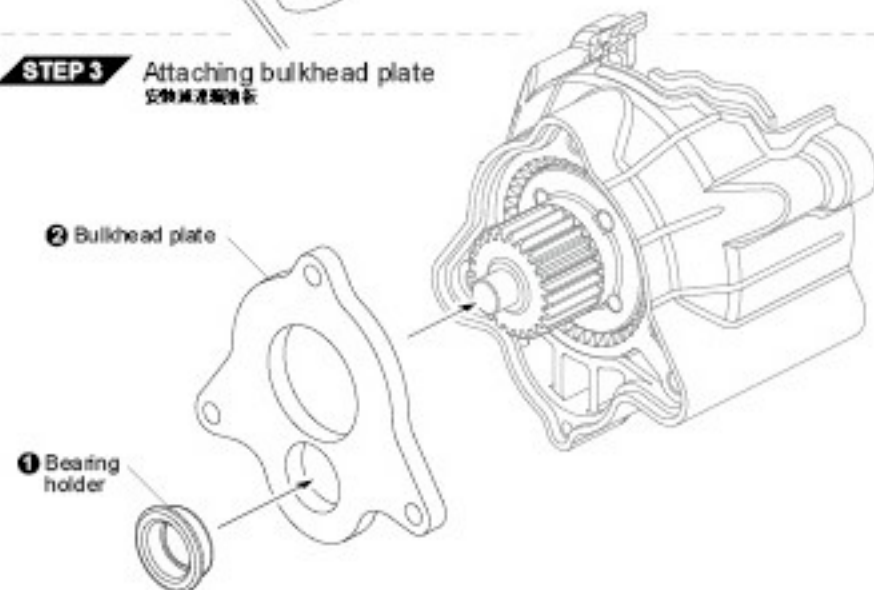
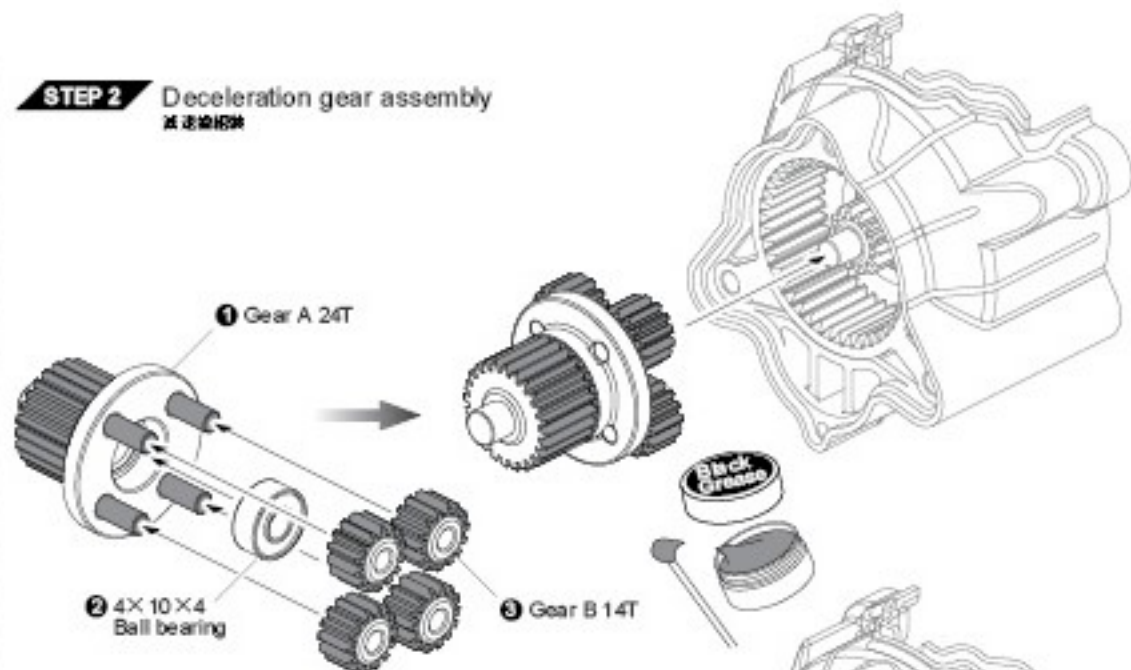
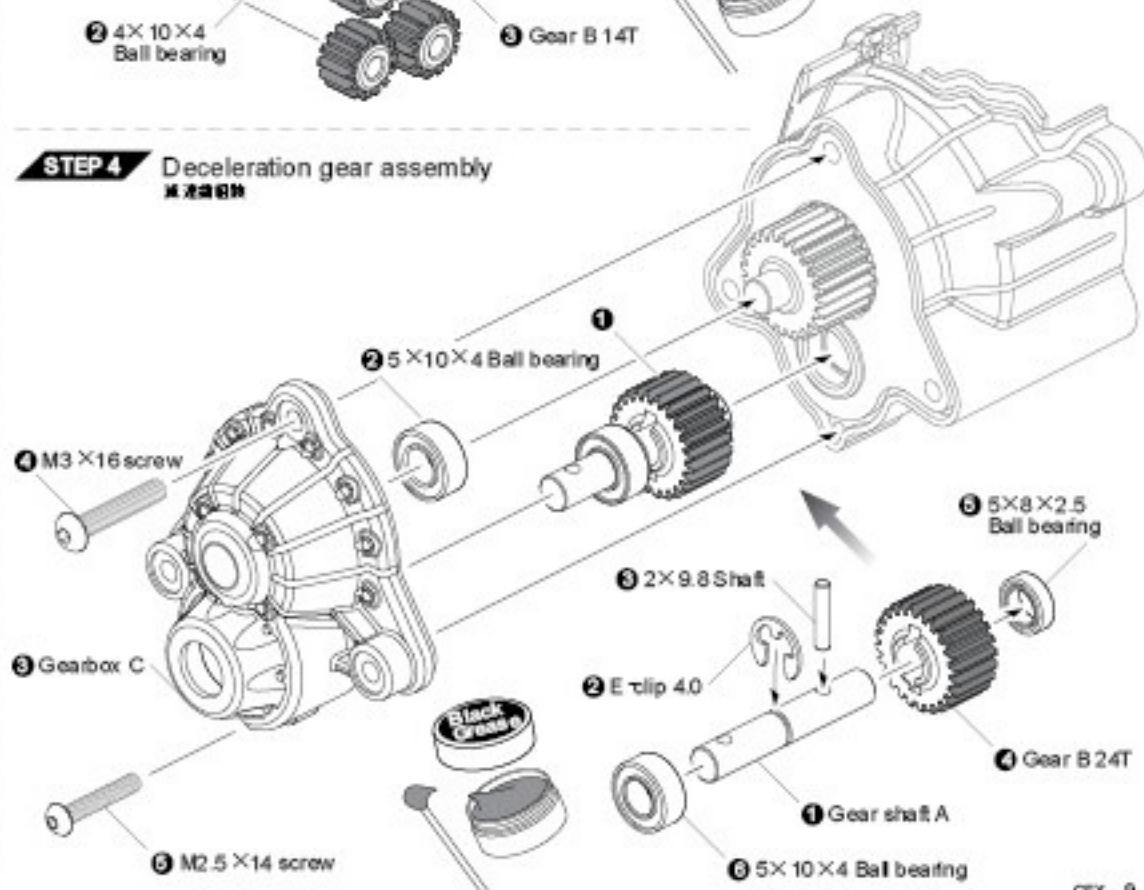
 Gear B 24T ×1
齿轮 B 24T

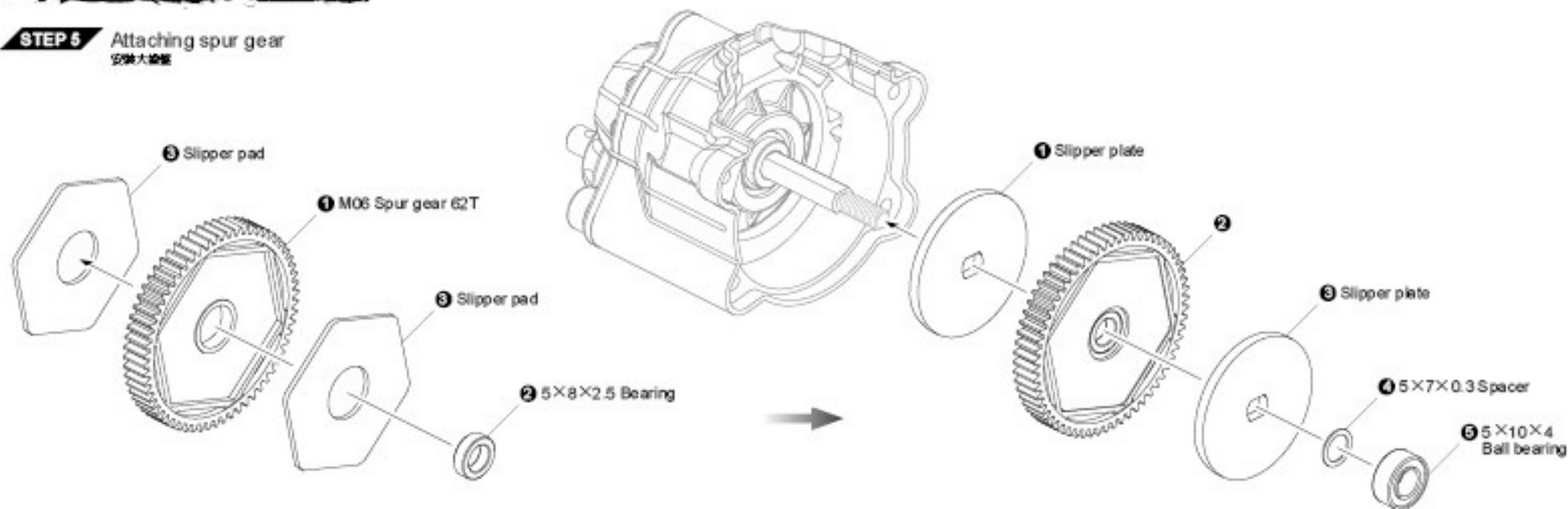
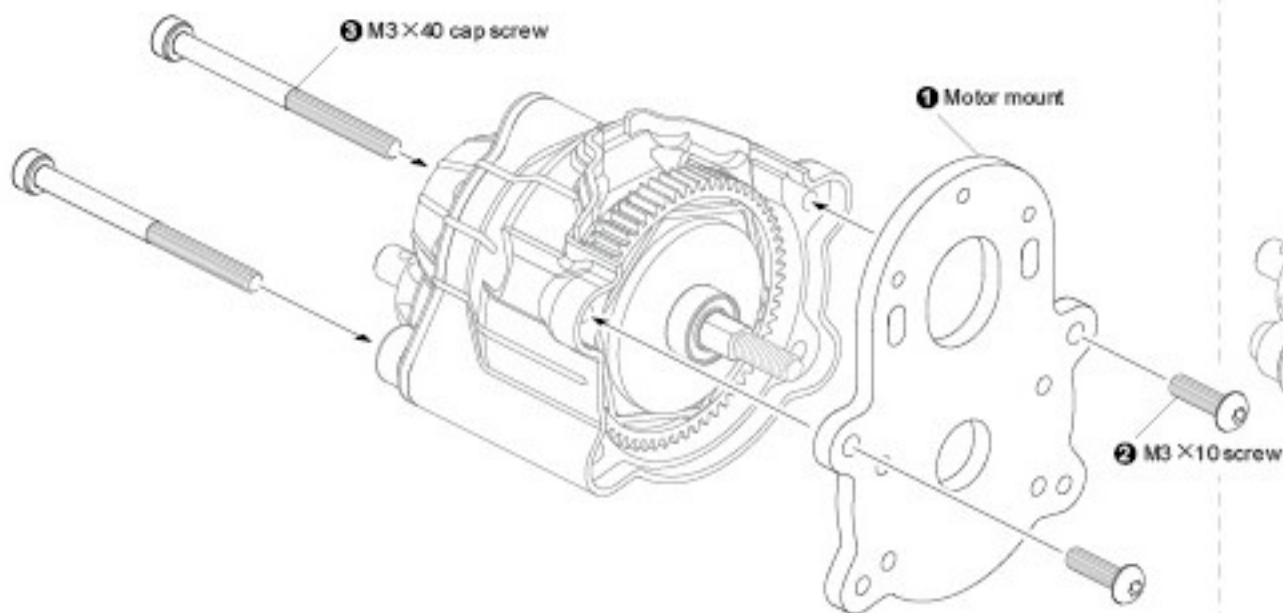
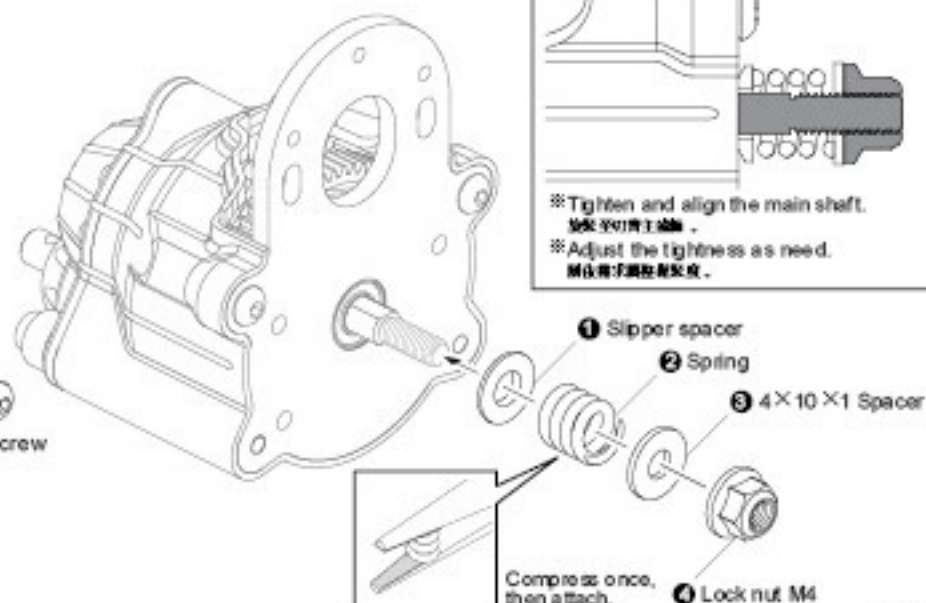
 Gear A 14T ×1
齿轮 A 14T

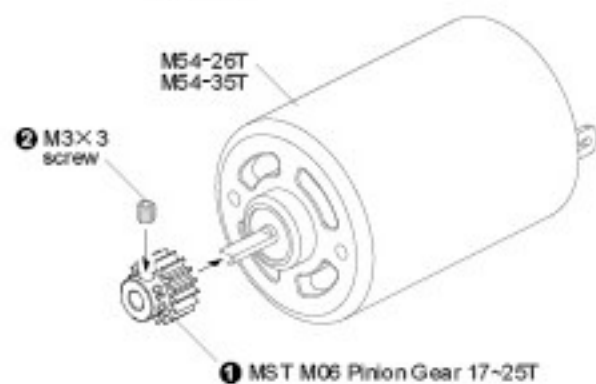
 Gear A 24T ×1
齿轮 A 24T

 Gear A 24T ×1
齿轮 A 24T

 M06 Spur gear 62T ×1
M06 人字齿轮 62T
Motor mount ×1
电动机座Bulkhead plate ×1
隔板板M06 Spur gear 62T ×1
M06 人字齿轮 62TSlipper plate ×2
轴套Slipper pad ×2
轴套垫片Gear 42T ×1
齿轮 42TGearbox mount ×1
减速机底座Gearbox B ×1
减速机 BGearbox C ×1
减速机 C

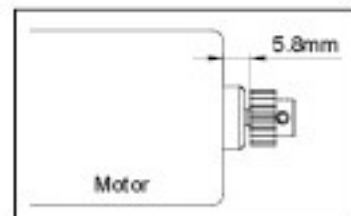
STEP 1 Deceleration gear assembly
减速齿轮安装**STEP 3** Attaching bulkhead plate
安装隔板板**STEP 2** Deceleration gear assembly
减速齿轮安装**STEP 4** Deceleration gear assembly
减速齿轮安装

STEP 5 Attaching spur gear
安裝大齒輪**STEP 6** Attaching motor mount
安裝馬達座**STEP 7** Attaching spring
安裝彈簧

STEP 8 Attaching pinion gear
安裝馬達齒

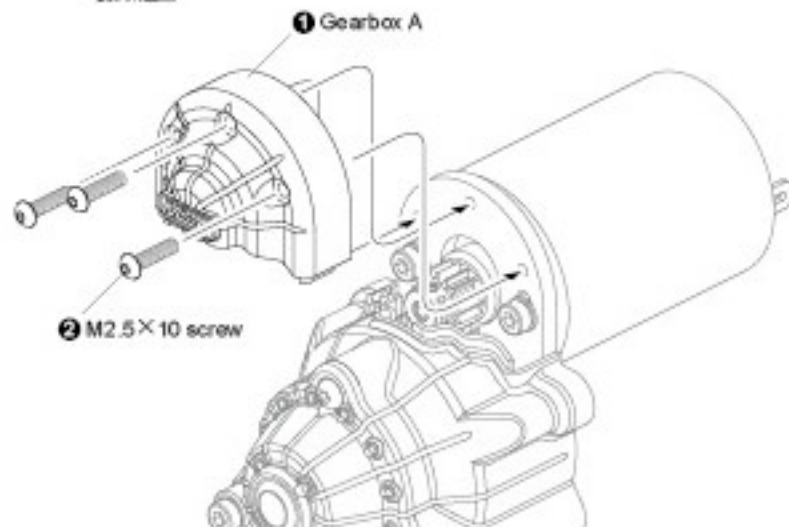
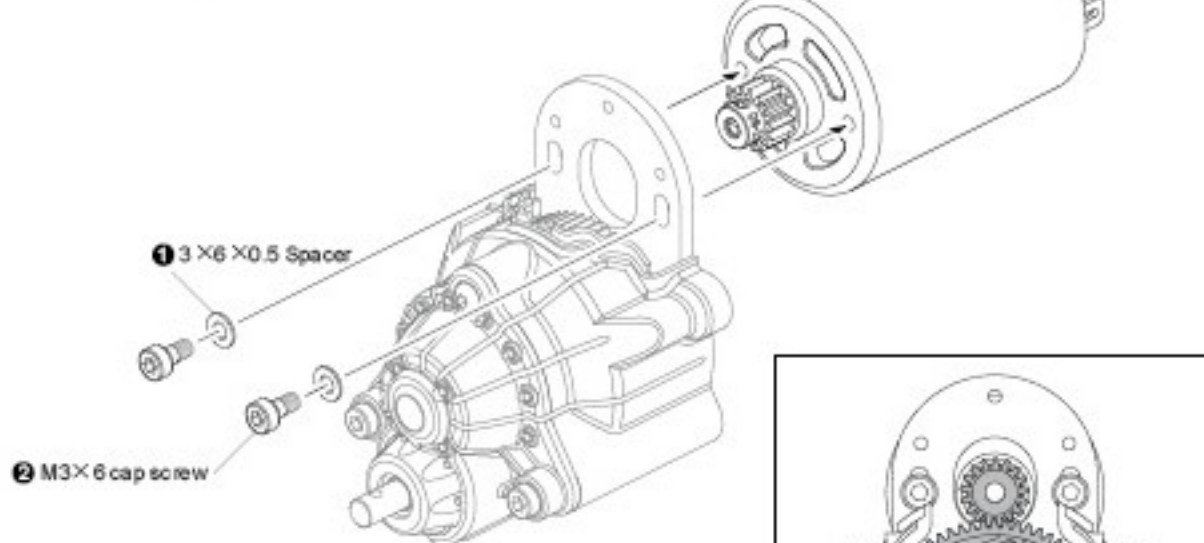
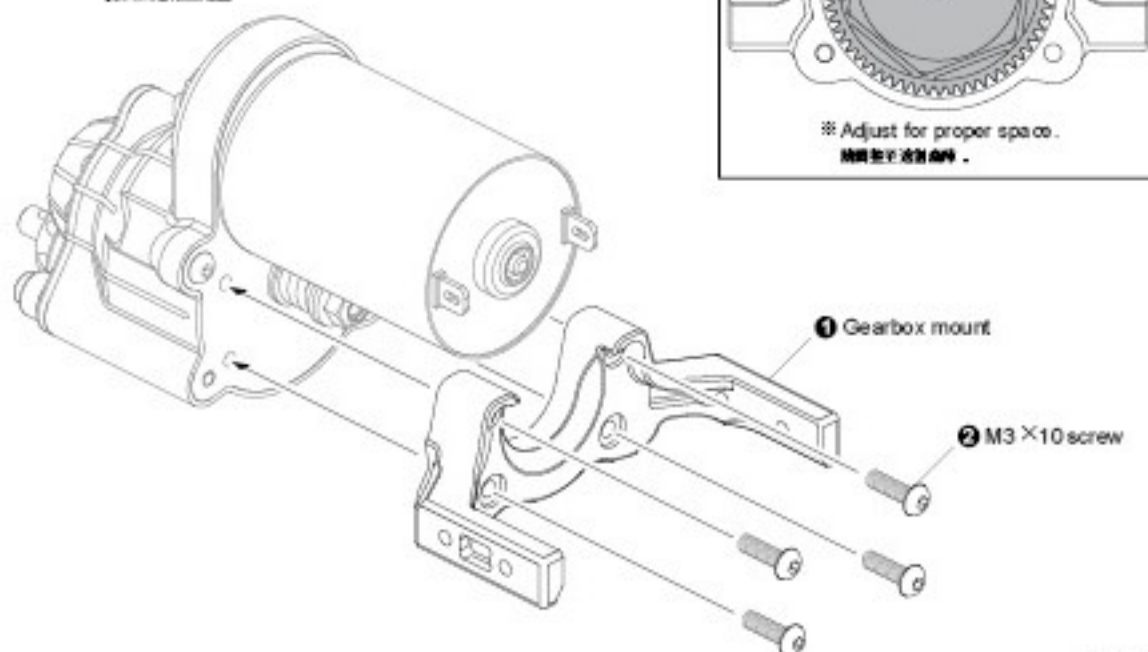
GEAR RATIO

Pinion Gear	Spur Gear 62T
17	46.68
18	44.09
19	41.77
20	39.69
21	37.79
22	36.07
23	34.50
24	33.06
25	31.74



※ Please set the gear ratio according to motor specifications, environments, and personal requirements.
齒比的選擇會因馬達規格、環境狀態、和手感，而有不同選擇，可以參考齒輪盒內的選擇齒比！

※ Please refer to MST office website for completed pinion specifications.
如需了解馬達齒 請上官網查詢！ [www.rc-mst.com]

STEP 10 Attaching dust cover
安裝防護蓋**STEP 9** Attaching motor
安裝馬達**STEP 11** Attaching gearbox mount
安裝減速箱固定座

※ Adjust for proper space.
調整齒比空間。

M3×5 screw ×1
M3×5 螺絲

M3×14 screw ×4
M3×14 螺絲

2×9.8 Shaft ×1
2×9.8 軸

2×13.8 Shaft ×1
2×13.8 軸

3×6×0.5 Spacer ×1
墊片

5×10×4 Ball bearing ×4
5×10×4 球珠

Gear shaft B ×1
齒輪心B

Gear shaft C ×1
齒輪心C

E-clip 4.0 ×2
E卡

Gear B 24T ×1
齒輪 B 24T

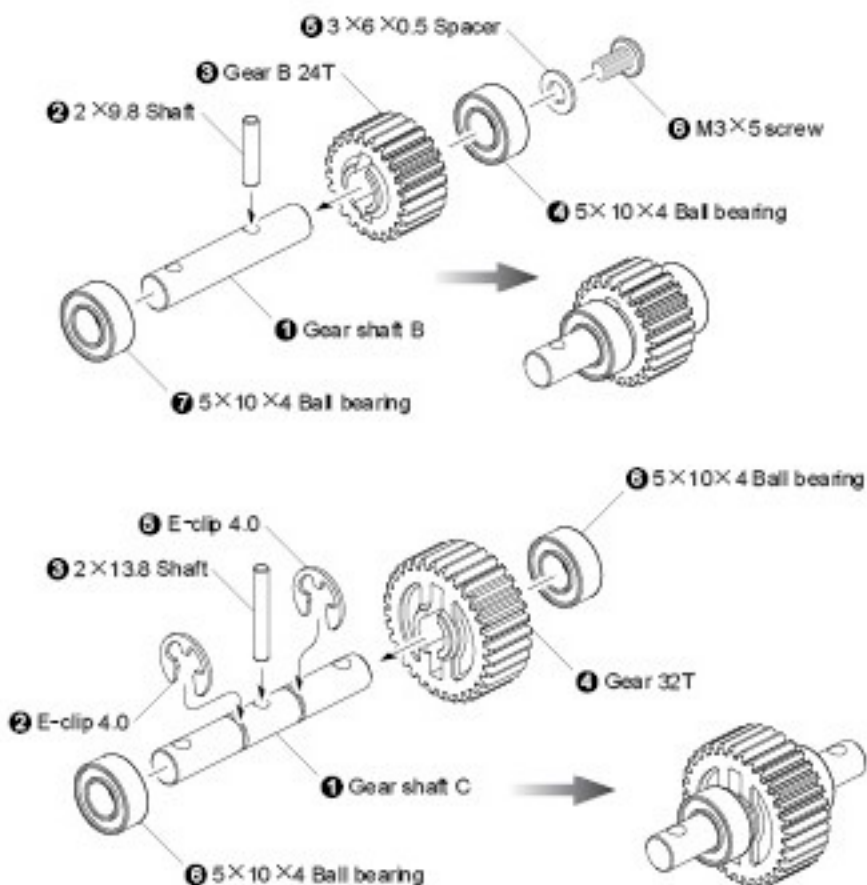
Gear 32T ×1
齒輪 32T



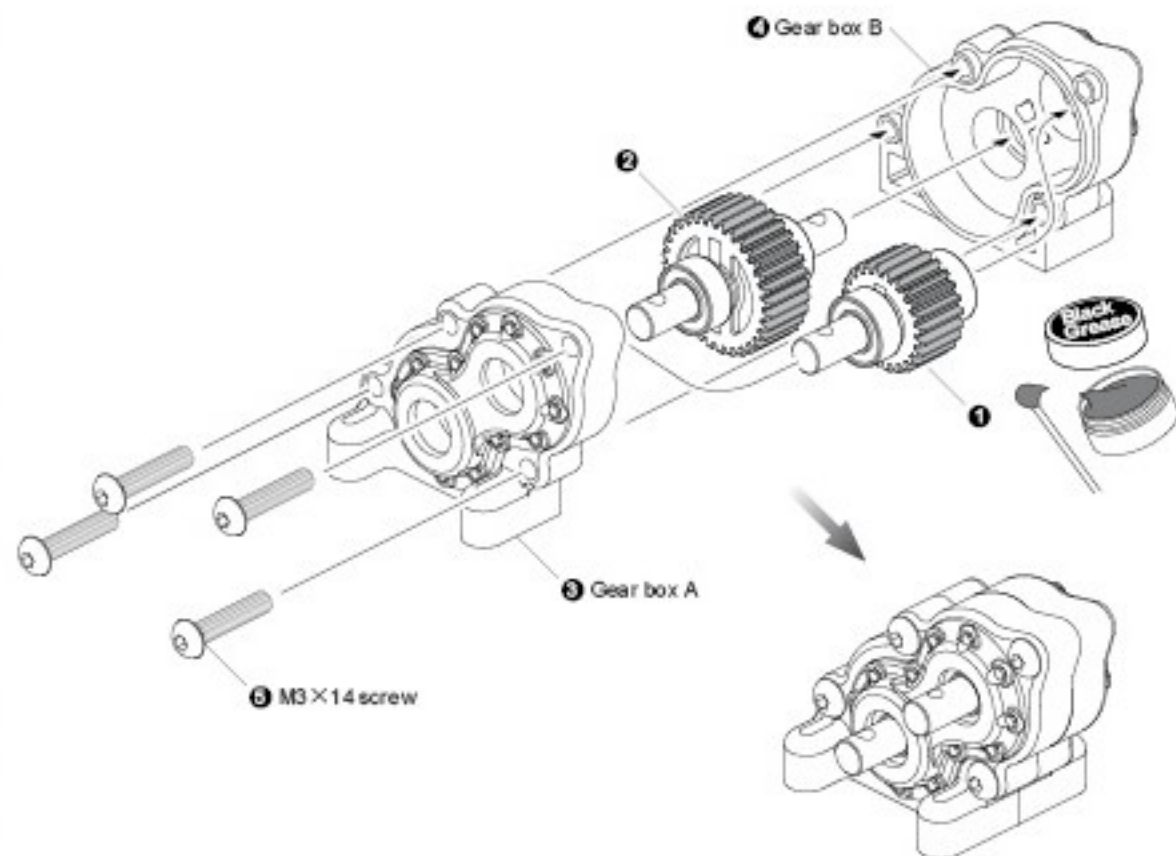
Gear box A ×1
分動箱 A

Gear box B ×1
分動箱 B

STEP 1 Deceleration gear assembly 減速齒輪組裝



STEP 2 Attaching gear 安裝減速齒



M3×6 screw ×2
M3×6 螺絲

M3×8 screw ×12
M3×8 螺絲

M3×10 screw ×4
M3×10 螺絲

M3×14 screw ×4
M3×14 螺絲

2×11.8 Shaft ×2
2×11.8 軸

Nut M3 ×2
M3 螺帽



Driveshaft
傳動軸



Hex. wheel hubs ×4
六角輪殼

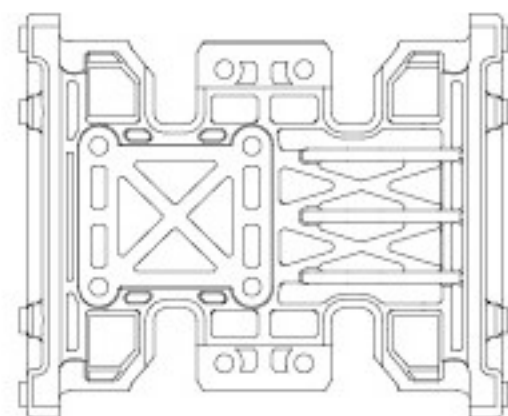
※ Used for STEP 10
此零件用於第 10 步



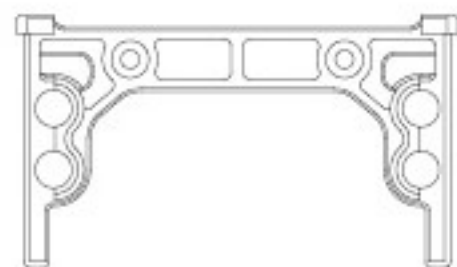
Servo spacer ×2
伺服機墊片

Servo mount ×2
伺服機座

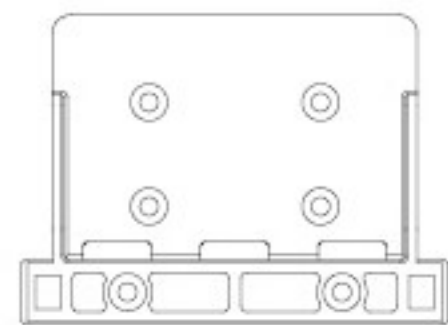
※ Used for STEP 5
此零件用於第 5 步



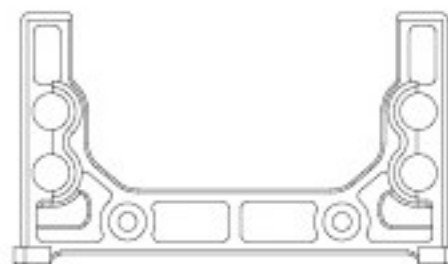
Gearbox chassis ×1
齒輪箱車架



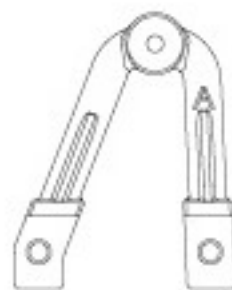
Crossmember A ×1
橫樑 A



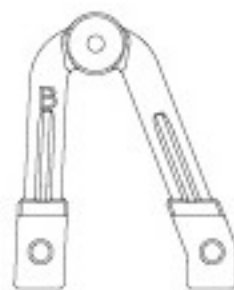
Crossmember C ×1
橫樑 C



Crossmember D ×1
橫樑 D



Damper stay A ×2
避震器



Damper stay B ×2
避震器



Chassis rail ×2
大樑

STEP 1 Frame rail assembly

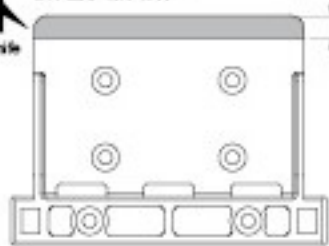
■注意

※ Please cut off the interfered place.
依下圖所示剪除零件。



Hobby knife

5mm



Damper stay A

Damper stay B

※ Install the Damper stay A for wheelbase 252mm.
※ 252mm. ※ 254mm. ※ 256mm.

For 242 wheelbase
For 252 wheelbase

REAR

Crossmember D

Nut M3

Damper stay A

※ Install the Damper stay B
for wheelbase 252mm.
※ 252mm. ※ 254mm. ※ 256mm.

M3×8
screw

M3×10 screw

Gearbox chassis

Crossmember C

For 267 wheelbase

Damper stay B

Damper stay A

M3×8 screw

M3×8 screw

M3×6 screw

Damper stay B

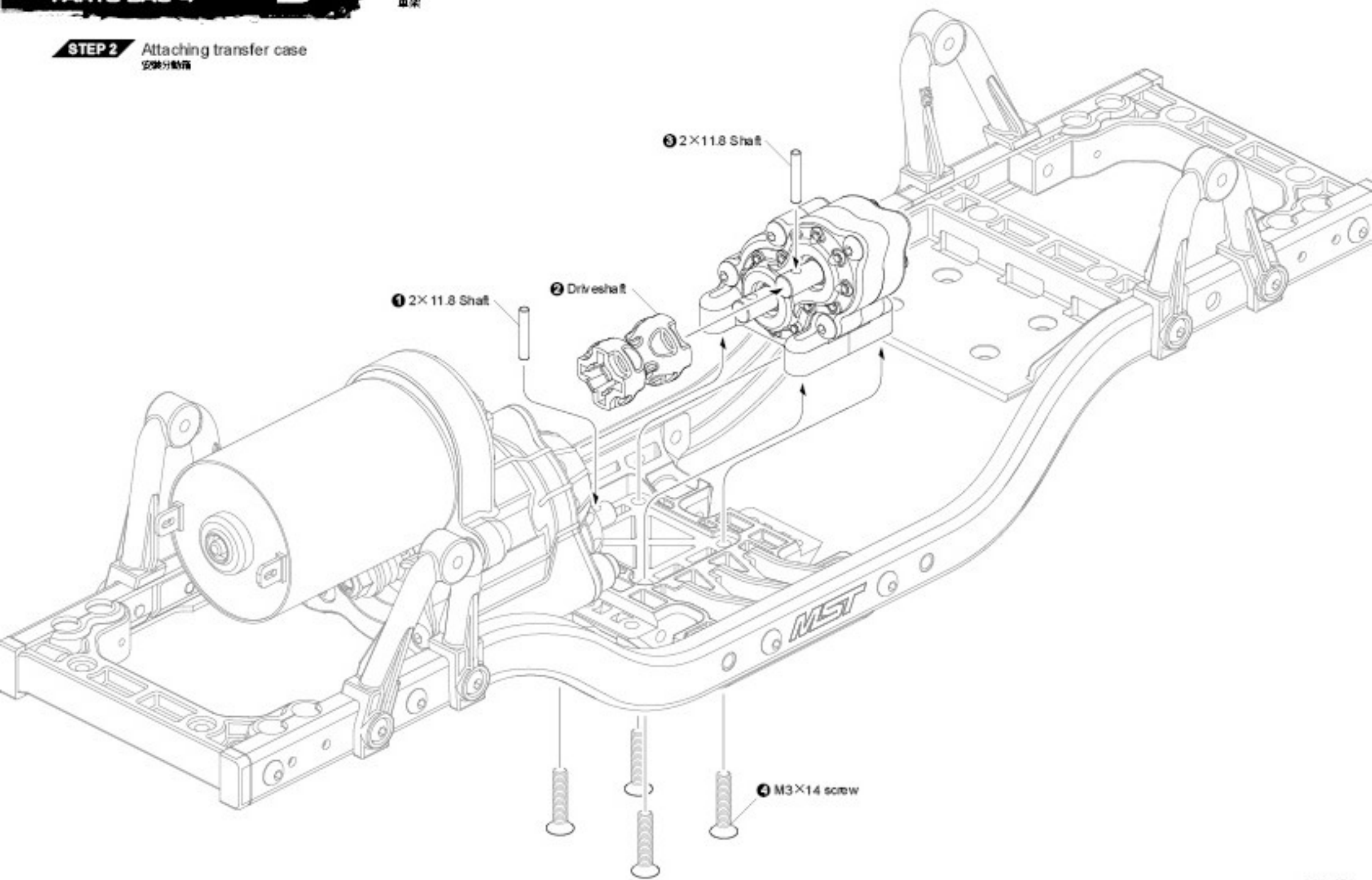
M3×8 screw

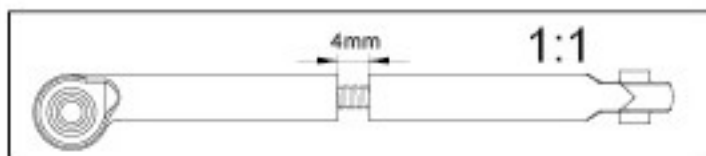
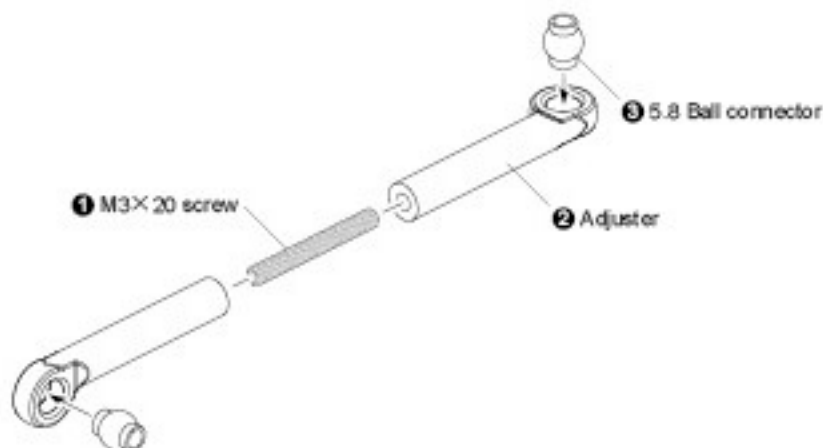
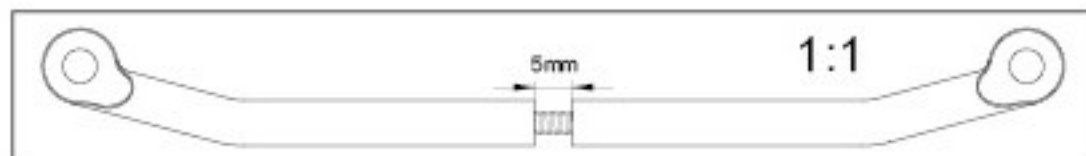
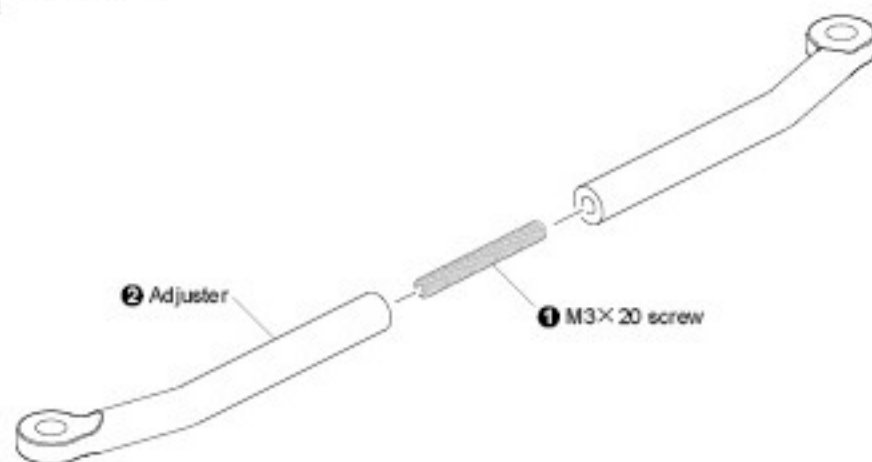
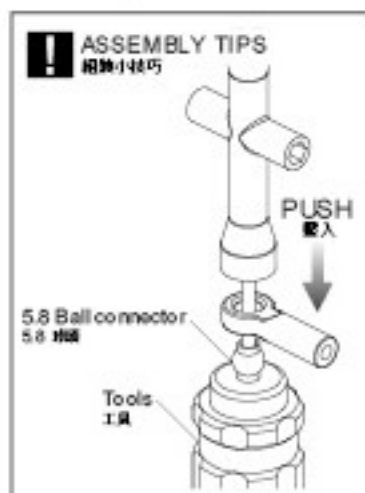
FRONT

Crossmember A

M3×10 screw

M3×8 screw

STEP 2 Attaching transfer case
安裝分動箱

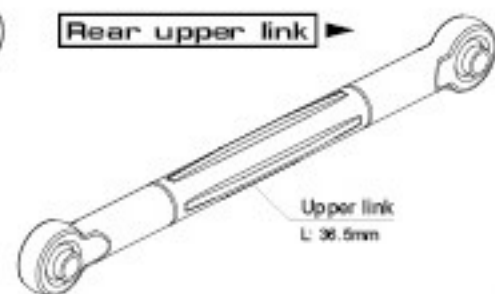
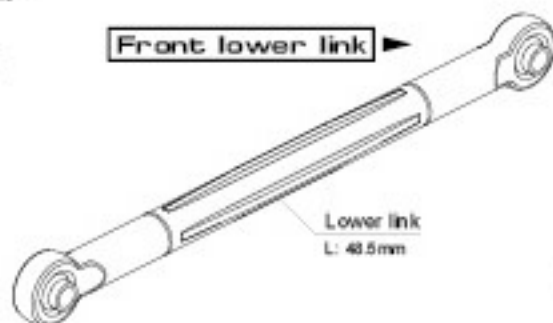
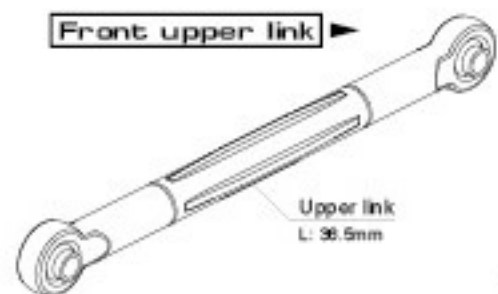
5.8 Ball connector ×24
5.8 球頭3×6×5 Spacer ×8
墊片M3×16 screw ×16
止付螺絲M3×20 screw ×10
止付螺絲M3×16 screw ×4
止付螺絲M3×18 screw ×4
止付螺絲Spacer ×4
墊片※ Used for STEP 5
保留零件用於步驟 54.8 Ball connector ×4
球頭※ Used for STEP 3
保留零件用於步驟 3Lock nut M3 ×4
防鬆螺帽5.8×25 Adjuster ×16
調整器Adjuster ×2
調整器Adjuster ×2
調整器Upper link ×4
上拉杆 (66.5mm)Lower link ×4
下拉杆 (48.5mm)Upper link ×2
上拉杆 (60.5mm)Lower link ×2
下拉杆 (72.5mm)**STEP 1** Servo link assembly
伺服拉杆組裝**STEP 2** Steering link assembly
轉向拉杆組裝

LINKS

Link lengths for different wheelbase
 拉桿組 各軸距上&下拉桿長度參考

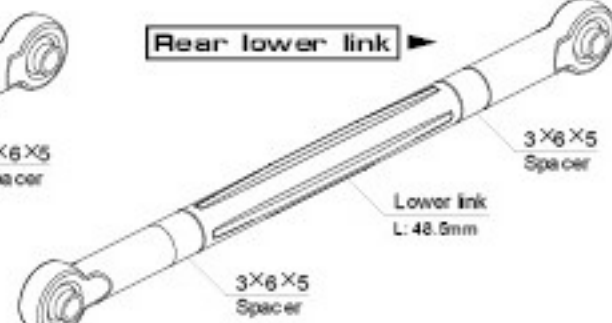
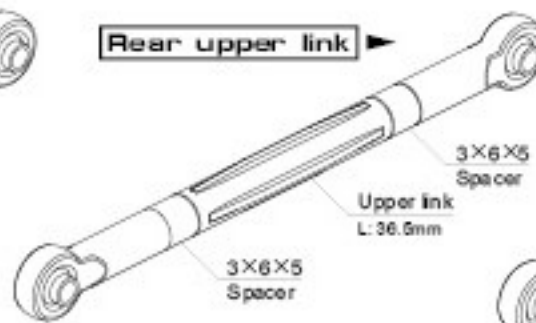
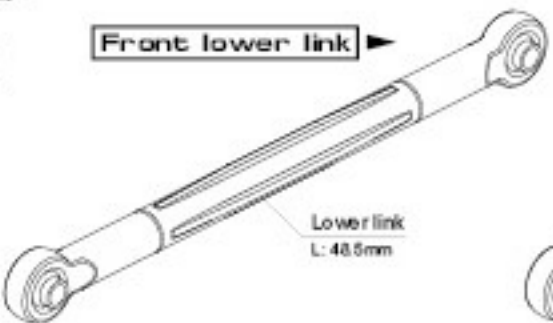
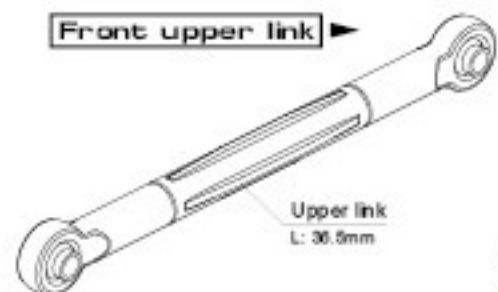
For 242mm wheelbase

※ Please refer to P.18.
 ※ 請參閱 P.18。



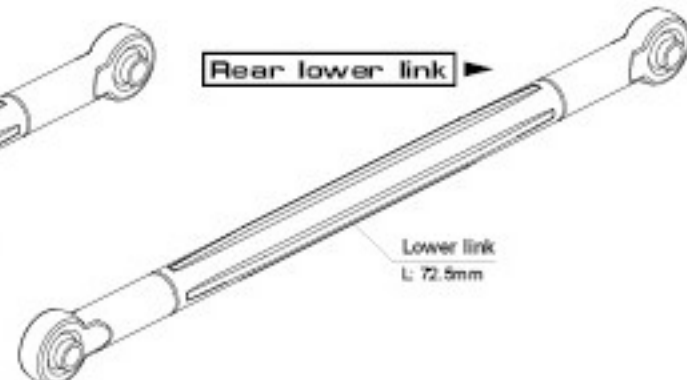
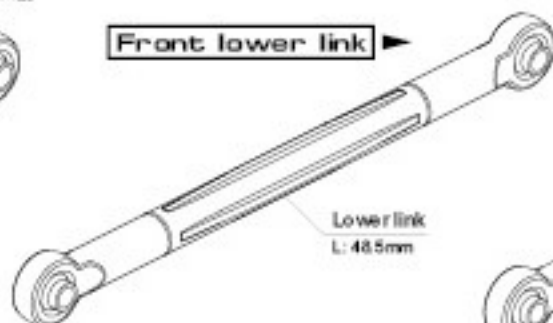
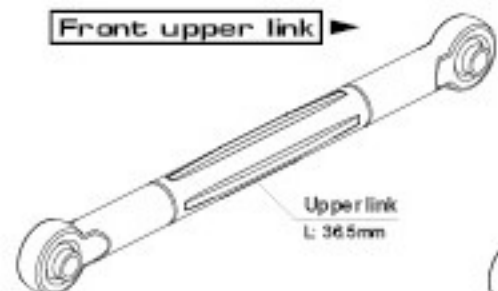
For 252mm wheelbase

※ Please refer to P.19.
 ※ 請參閱 P.19。



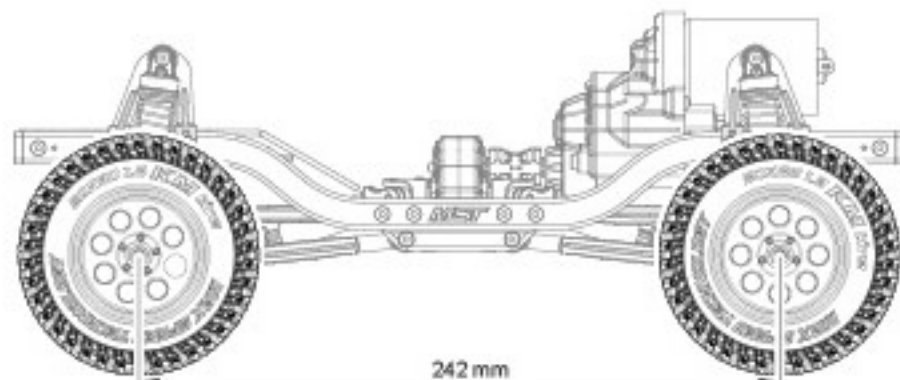
For 267mm wheelbase

※ Please refer to P.20.
 ※ 請參閱 P.20。

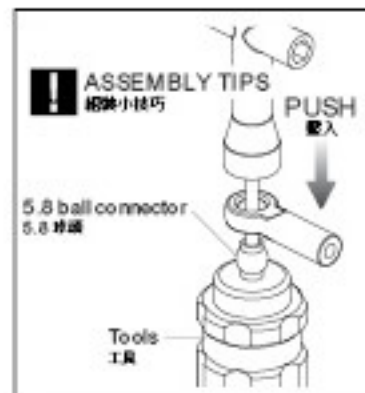


FORD Bronco 242 mm
 TOYOTA LC40 252 mm
 M-BENZ Unimog 406 242 mm
 TOYOTA FJ 267 mm

※ Please follow the link assembly for wheel base.
 (242/ 252/ 267mm)
 ※ 请按照对应的轮距进行连杆组安装。
 (242mm/ 252mm/ 267mm)



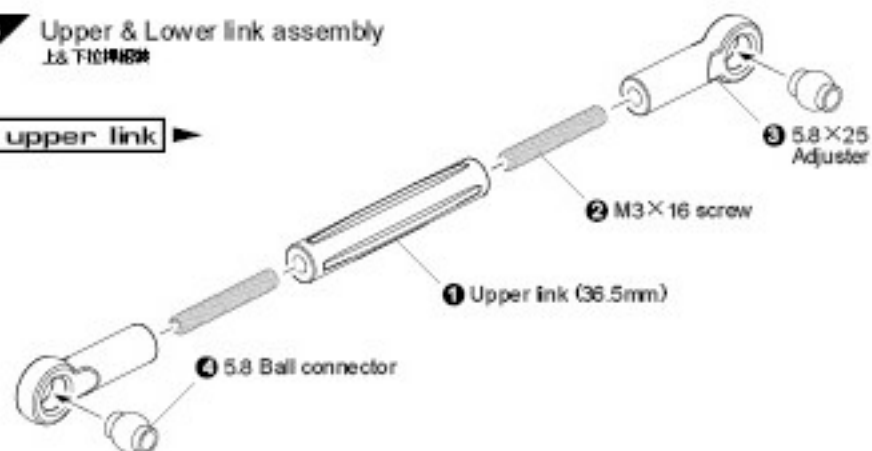
242 mm



STEP 3 Upper & Lower link assembly
 上、下连杆组安装

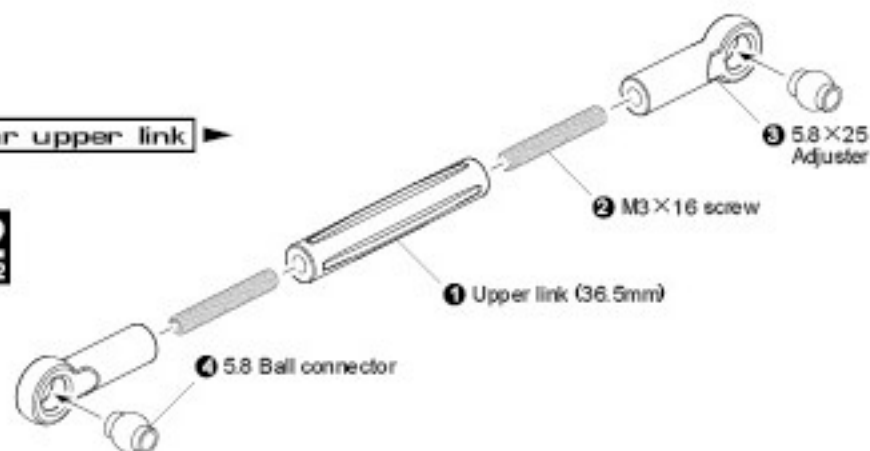
Front upper link

X2
 Make 2



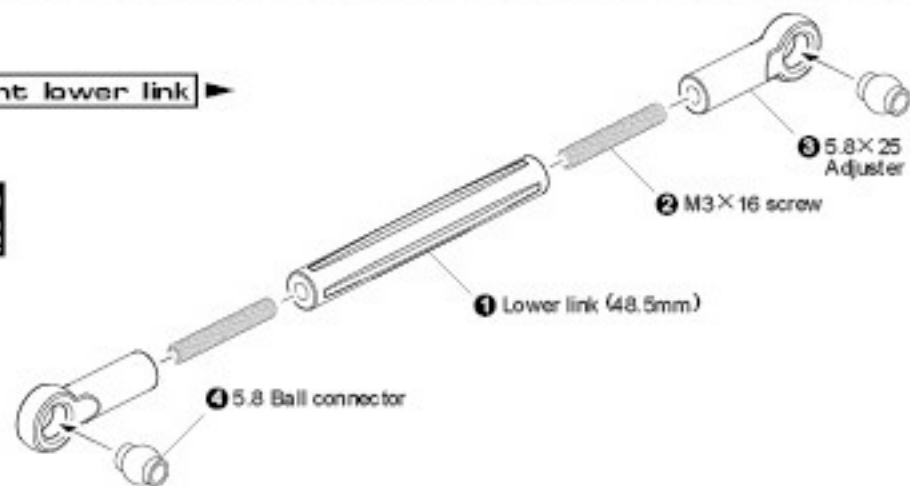
Rear upper link

X2
 Make 2



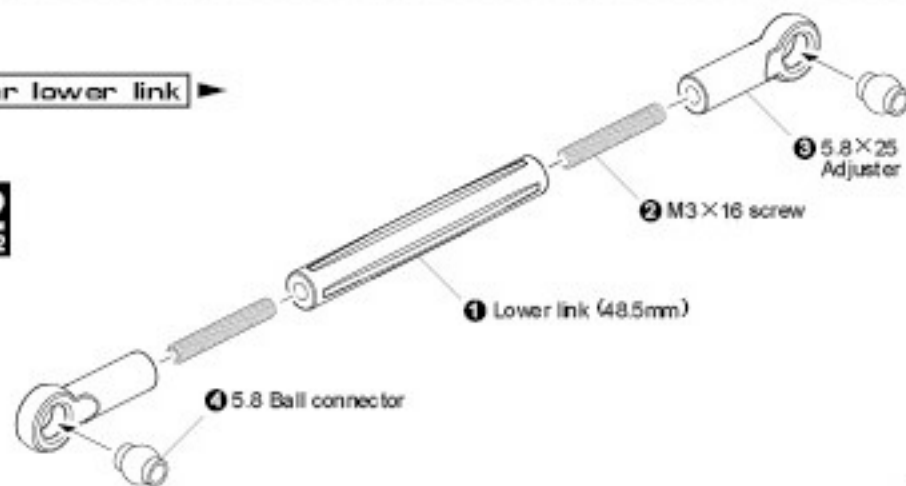
Front lower link

X2
 Make 2



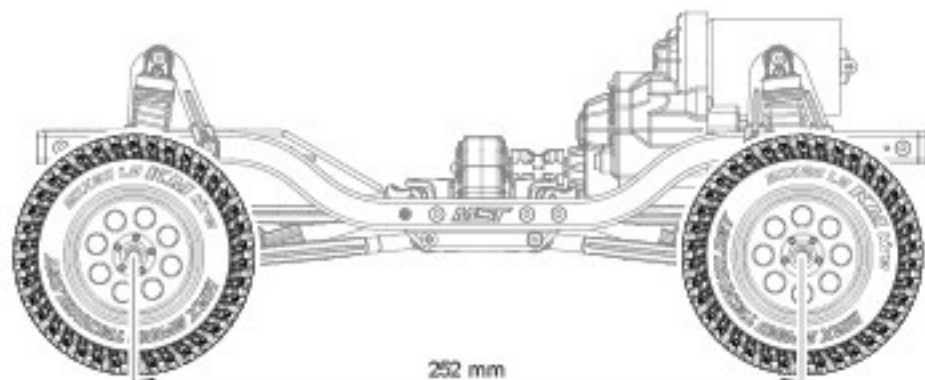
Rear lower link

X2
 Make 2



FORD Bronco 242 mm
TOYOTA LC40 252 mm
M-BENZ Unimog 406 242 mm
TOYOTA FJ 267 mm

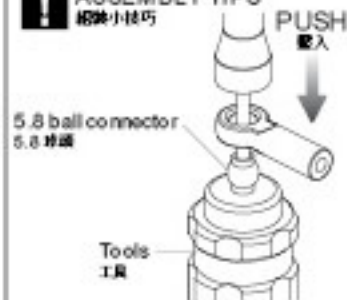
※ Please follow the link assembly for wheel base.
(242/ 252/ 267mm)
※ 请按照对应轴距的拉杆组进行安装。
(242mm/ 252mm/ 267mm)



252 mm

ASSEMBLY TIPS

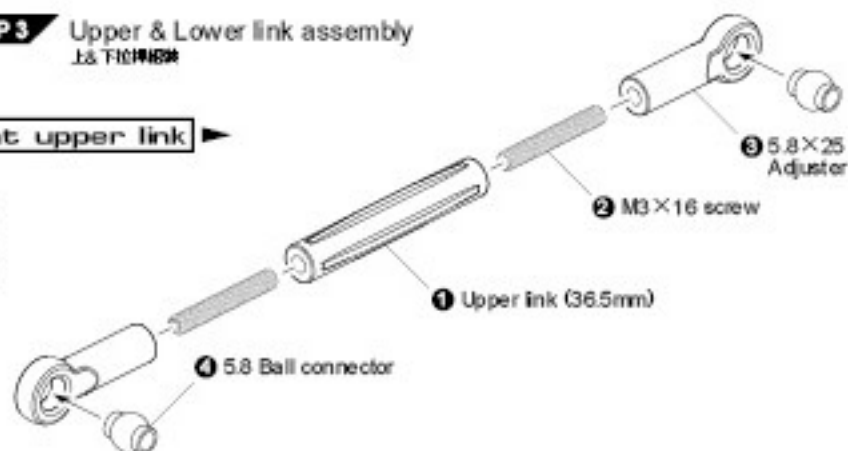
安装技巧

5.8 ball connector
5.8 球头Tools
工具

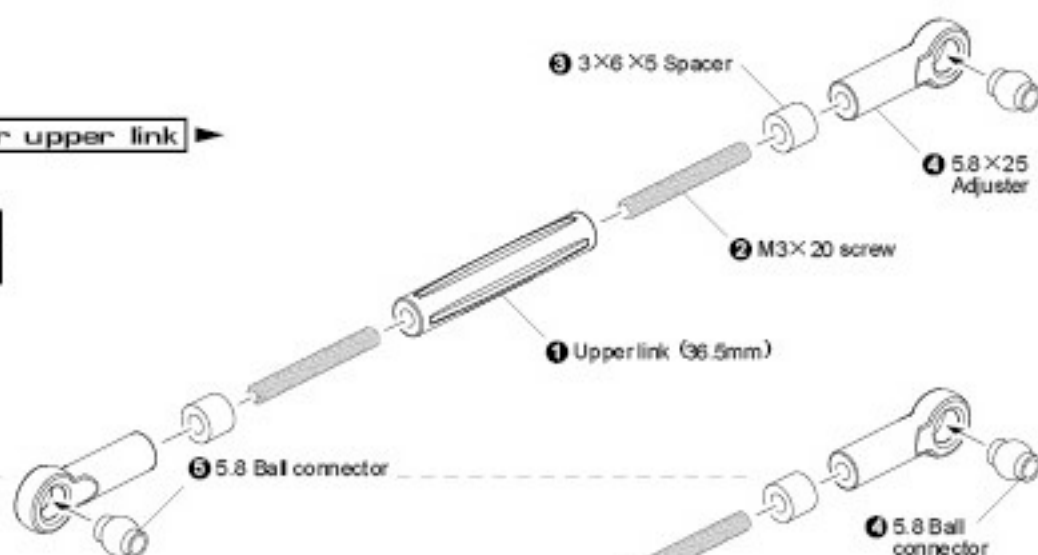
STEP 3 Upper & Lower link assembly

上、下拉杆组

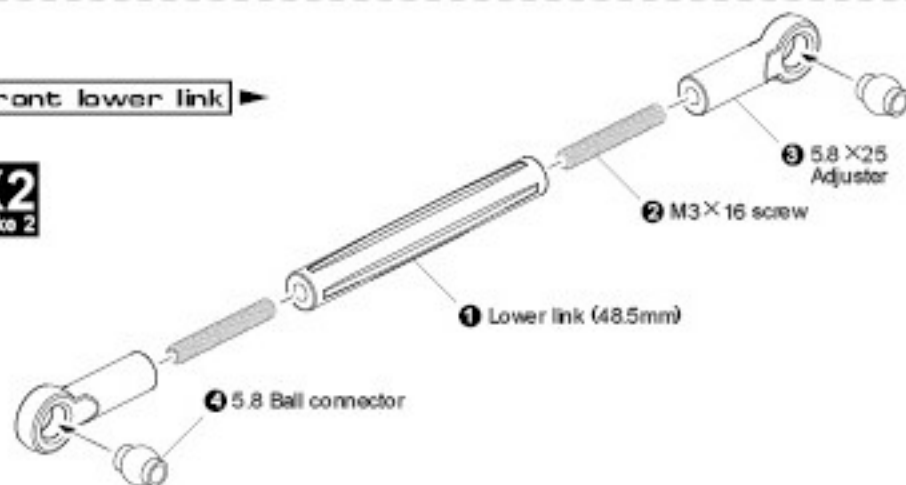
Front upper link

X2
Make 2

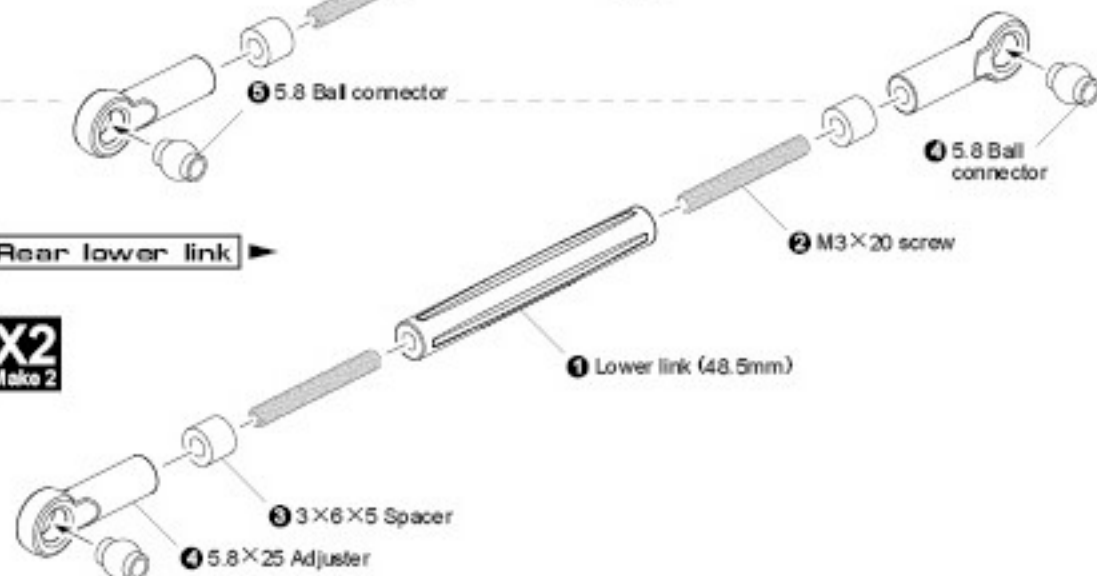
Rear upper link

X2
Make 2

Front lower link

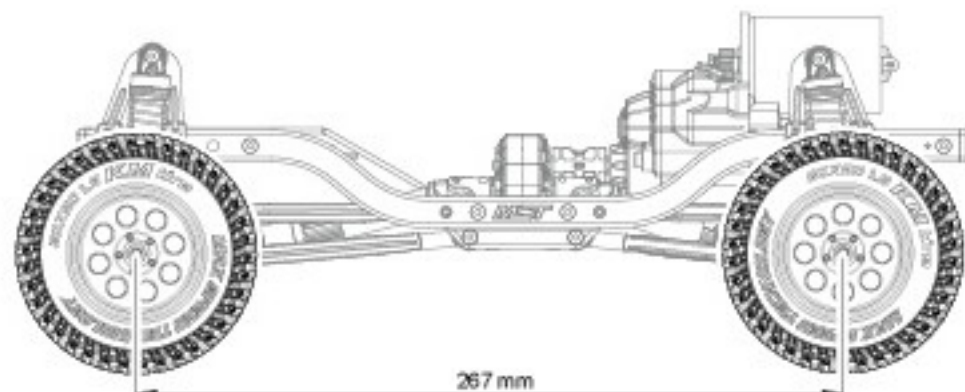
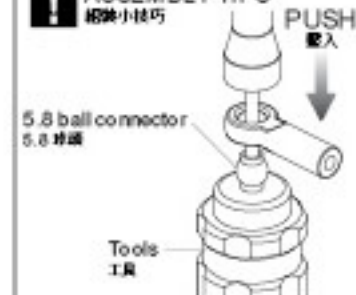
X2
Make 2

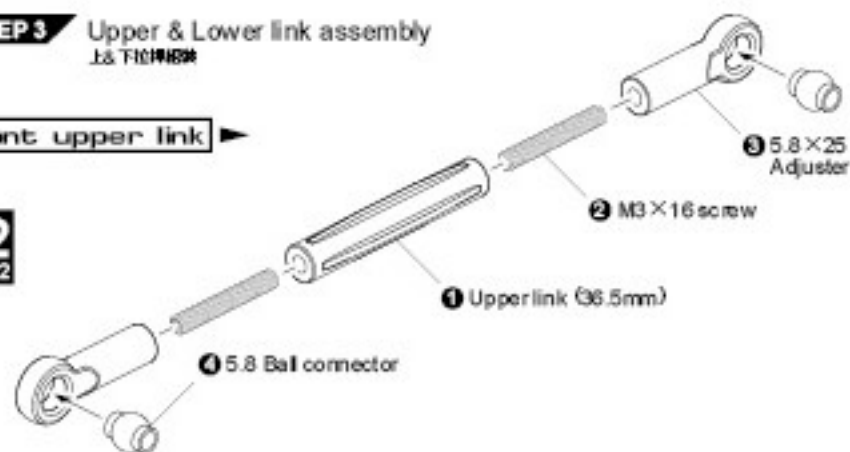
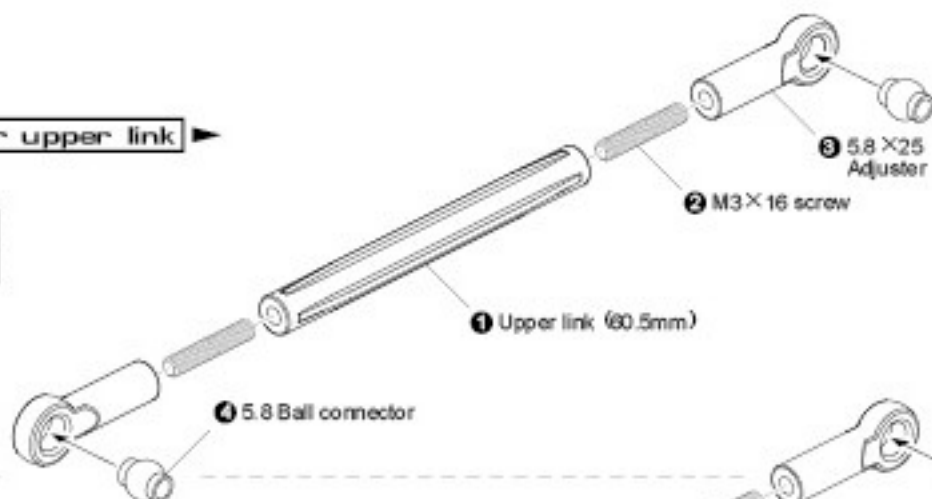
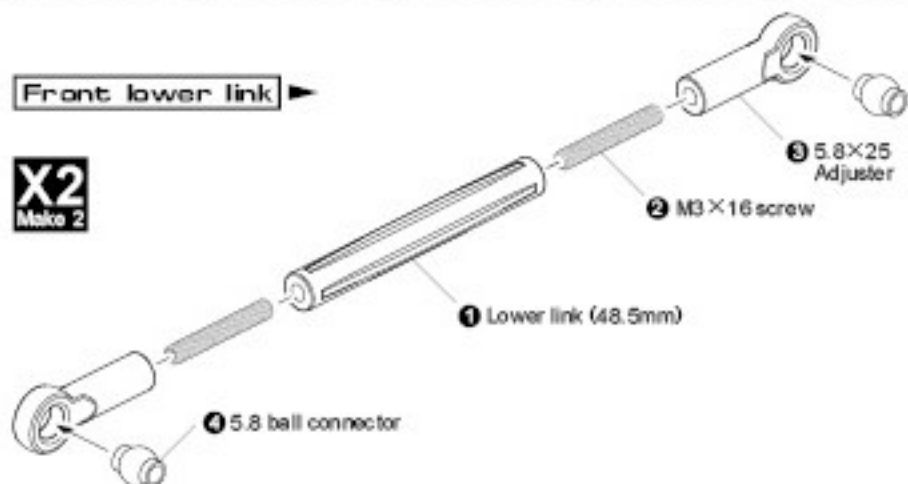
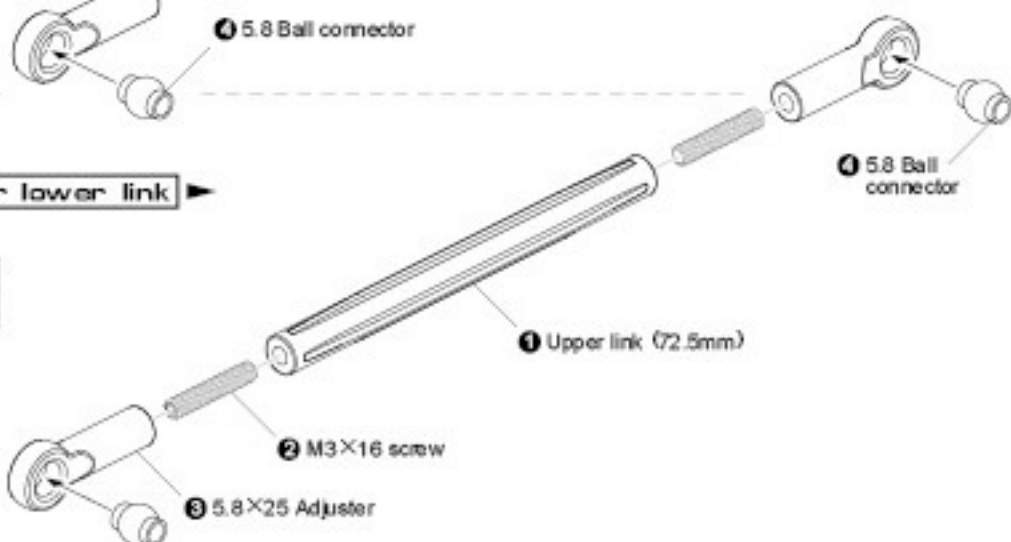
Rear lower link

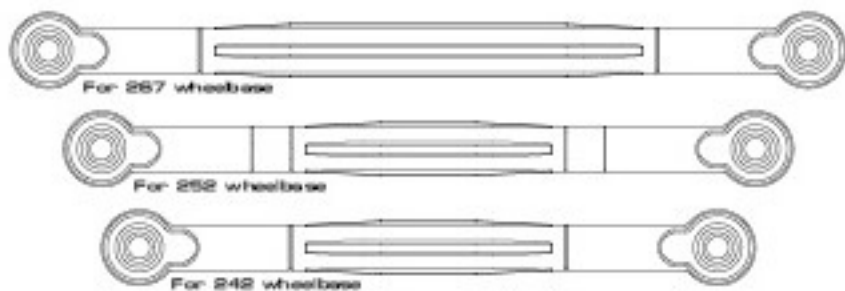
X2
Make 2

FORD Bronco	242 mm
TOYOTA LC40	252 mm
M-BENZ Unimog 406	242 mm
TOYOTA FJ	267 mm

※ Please follow the link assembly for wheel base.
(242/ 252/ 267mm)
※ 请按照轮距的连杆安装

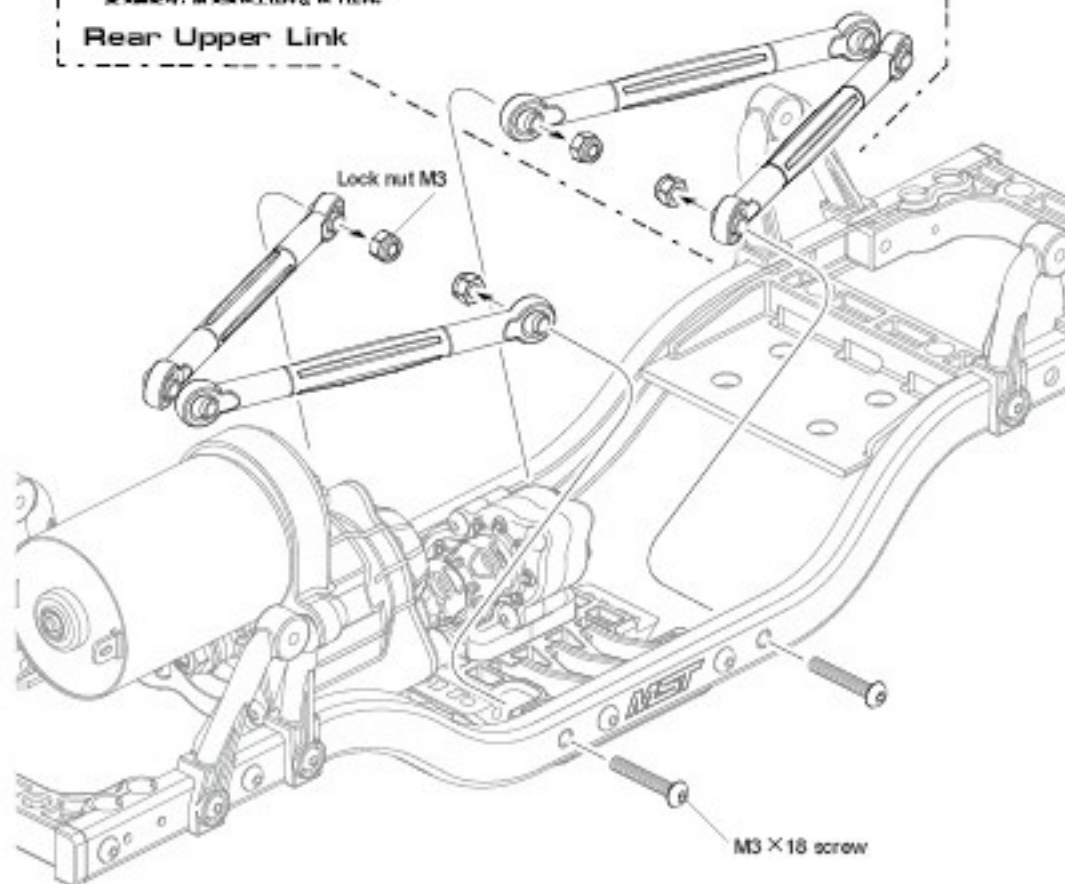
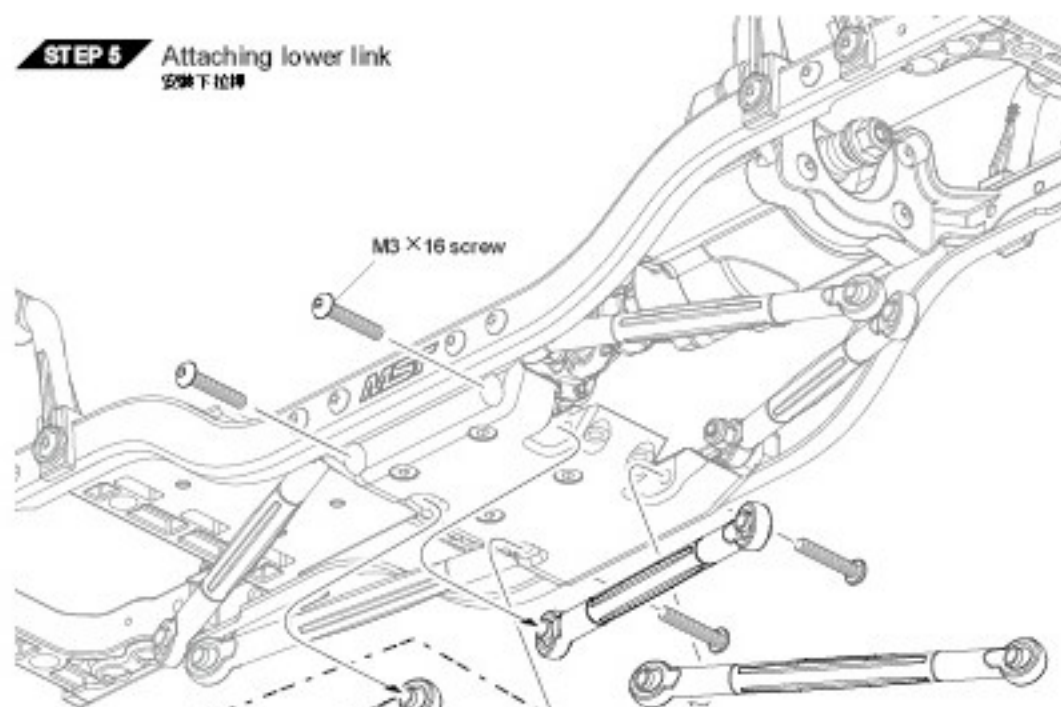

ASSEMBLY TIPS
 组装小技巧

STEP 3 Upper & Lower link assembly
 上下连杆安装

Front upper link
X2
 Make 2

Rear upper link
X2
 Make 2

Front lower link
X2
 Make 2

Rear lower link
X2
 Make 2


STEP 4 Attaching upper link
安装上拉杆

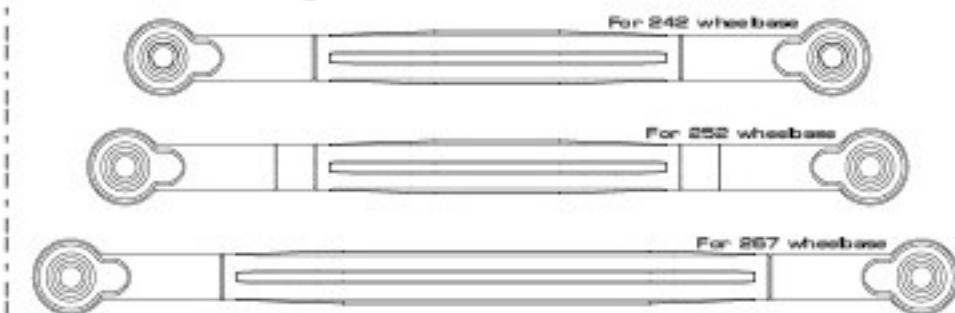
※ Please change the rear upper & lower links for different wheel base.
※ 请根据实际轴距更换后上拉杆及后下拉杆。

Rear Upper Link

**STEP 5** Attaching lower link
安装下拉杆

Rear Lower Link

※ Please change the rear upper & lower links for different wheel base.
※ 请根据实际轴距更换后上拉杆及后下拉杆。



M2 X6 screw X1
M2 X6 螺絲

M2 X16 screw X3
M2 X16 螺絲

M3 X8 screw X4
M3 X8 螺絲

M3 X6 screw X4
M3 X6 螺絲

M3 X8 screw X6
M3 X8 螺絲

M3 X10 screw X5
M3 X10 螺絲

M3 X14 screw X1
M3 X14 螺絲

M3 X16 screw X1
M3 X16 螺絲

M3 X18 screw X4
M3 X18 螺絲

M3 X20 screw X1
M3 X20 螺絲

King pin screw X4
大王螺絲

2.6 X10 Screw X1
自攻螺絲

2 X9.8 Shaft X4
連軸

Lock nut M3 X3
防鬆螺帽

3 X6 X0.5 spacer X4
墊片

3 X8 X0.5 spacer X1
墊片

5 X10 X4 Bearing X7
軸承

8 X12 X3.5 Bearing X1
軸承

10 X15 X4 Bearing X2
軸承

G-clip 10.0 X2
G扣

Bevel gear shaft X1
傘齒輪

Wheel axle X2
萬向軸

Link mount X1
上拉桿

CVA axle X2
輪軸

Bevel gear 15T X1
小傘齒

Bevel gear 36T X1
大傘齒

Bevel gear case X1
大傘齒殼

Heavy Duty Locker X1
齒輪鎖定位

23T Servo horn X1
伺服齒片

25T Servo horn X1
伺服齒片

CVA axle X2
輪軸



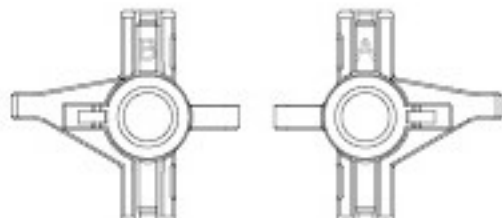
Axle cover A X1
前軸殼 A



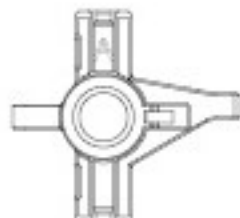
Axle cover B X1
前軸殼 B



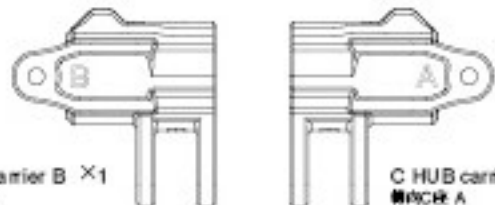
Servo holder X1
伺服螺絲柱



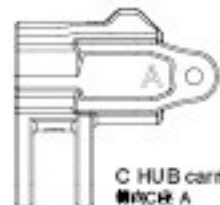
Knuckle B X1
轉內球



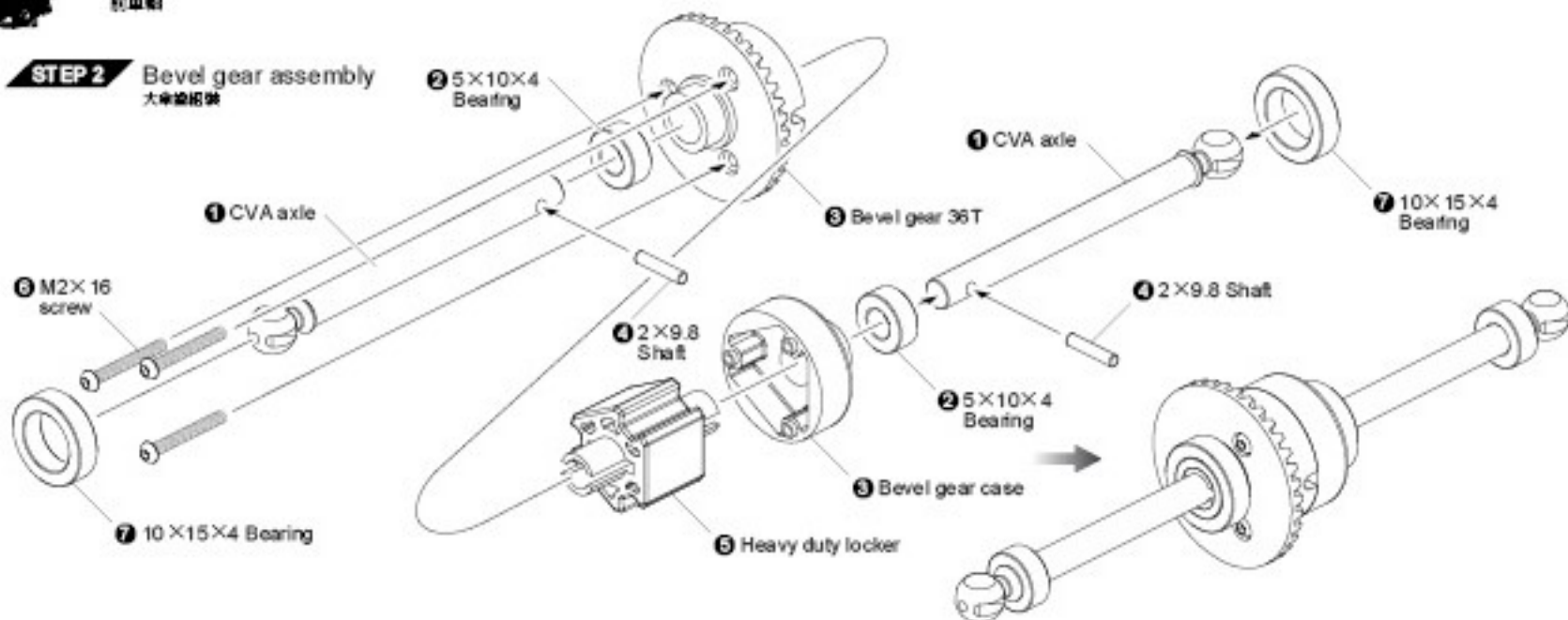
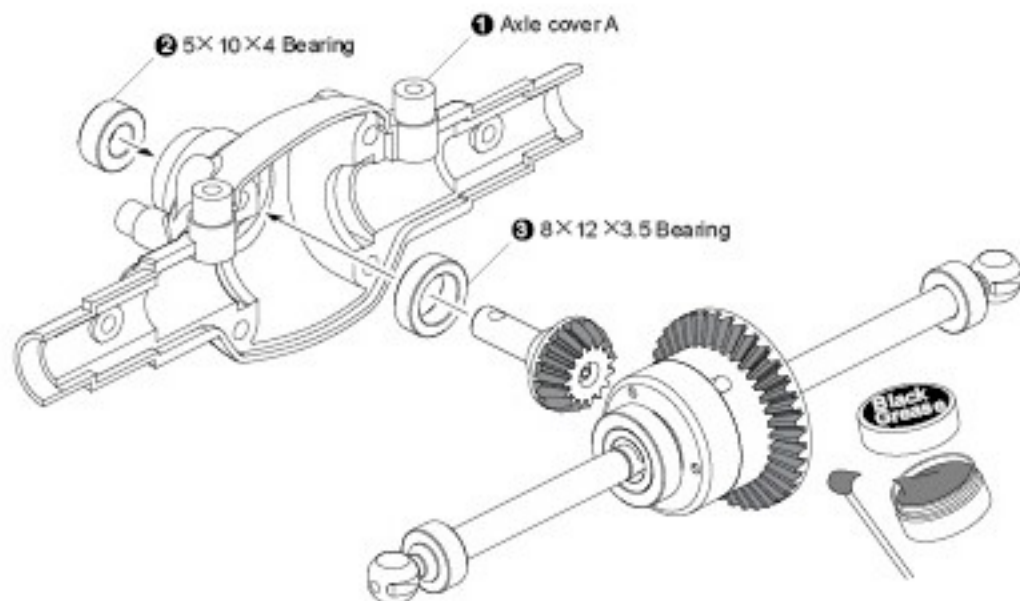
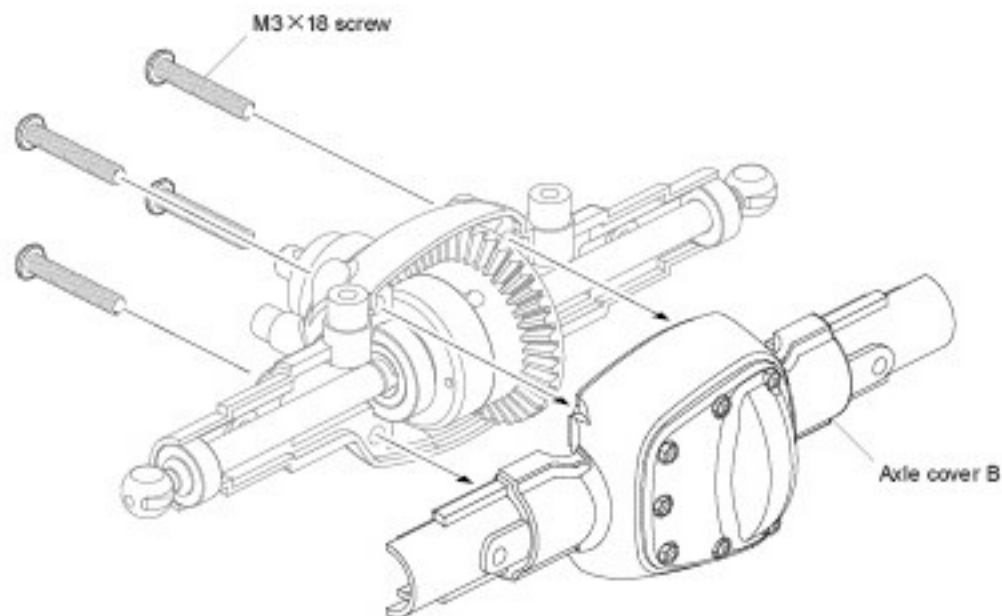
Knuckle A X1
轉外球

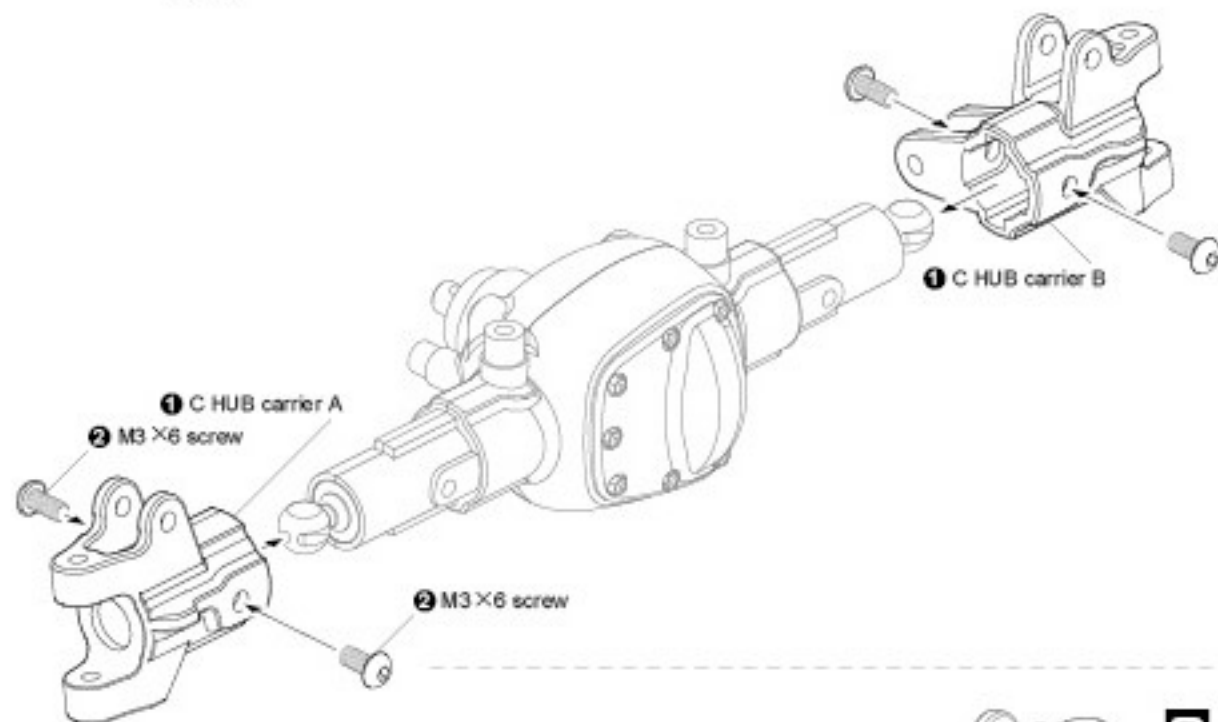
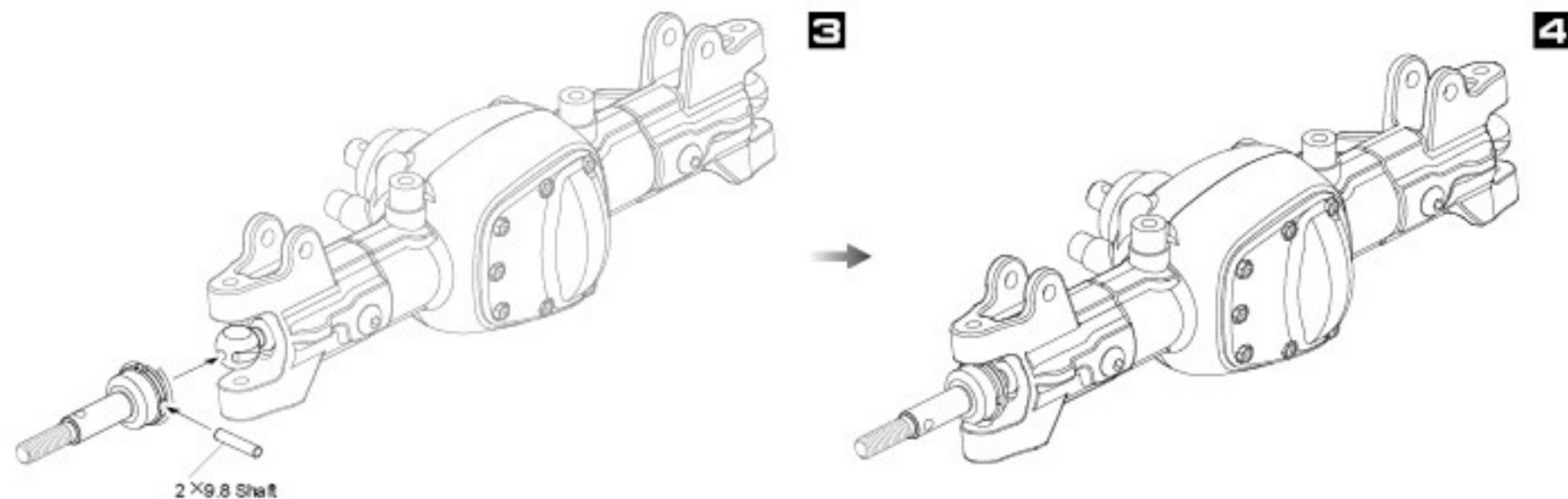
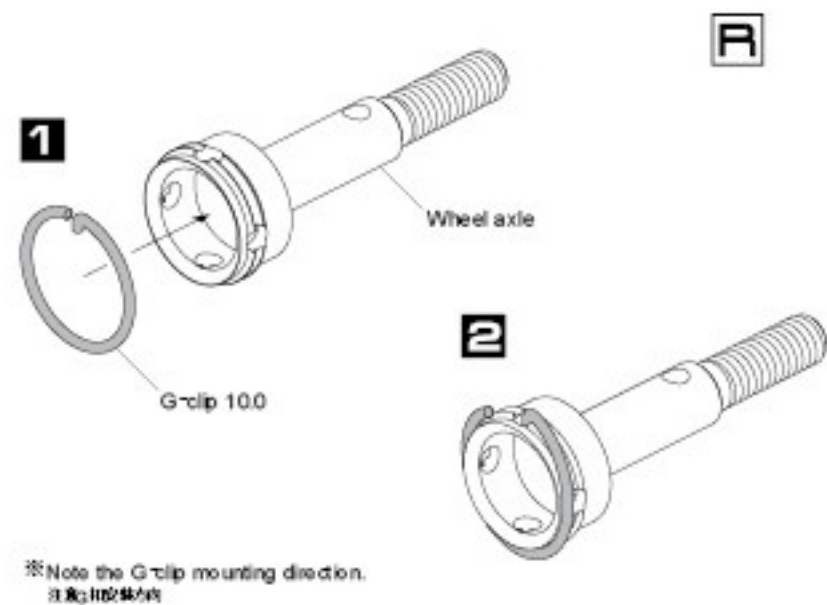


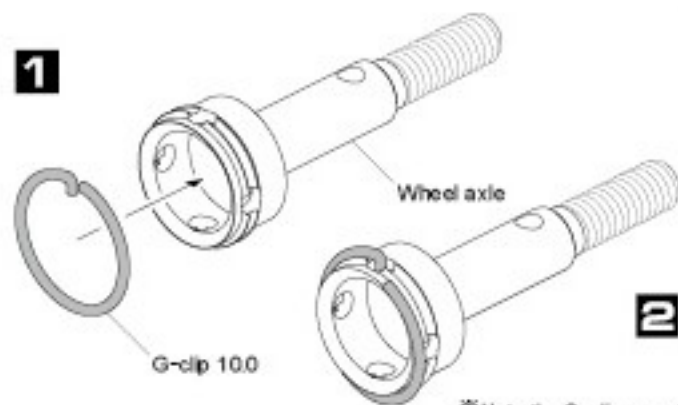
C HUB carrier B X1
轉內球 B



C HUB carrier A X1
轉外球 A

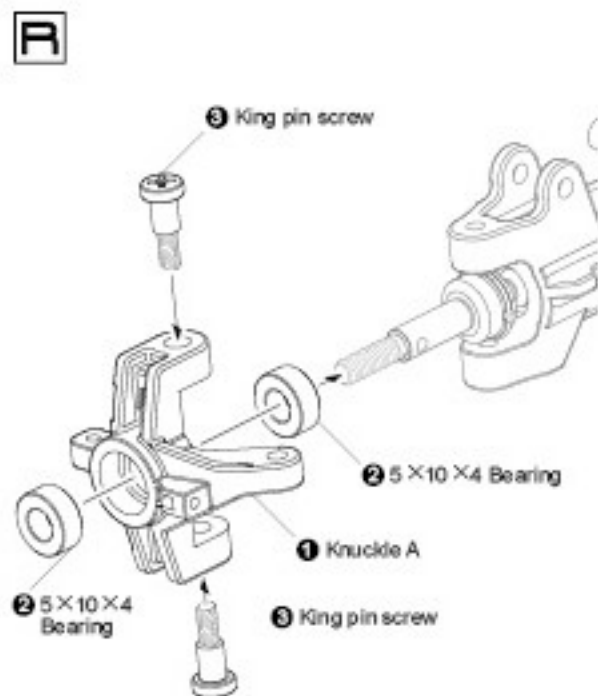
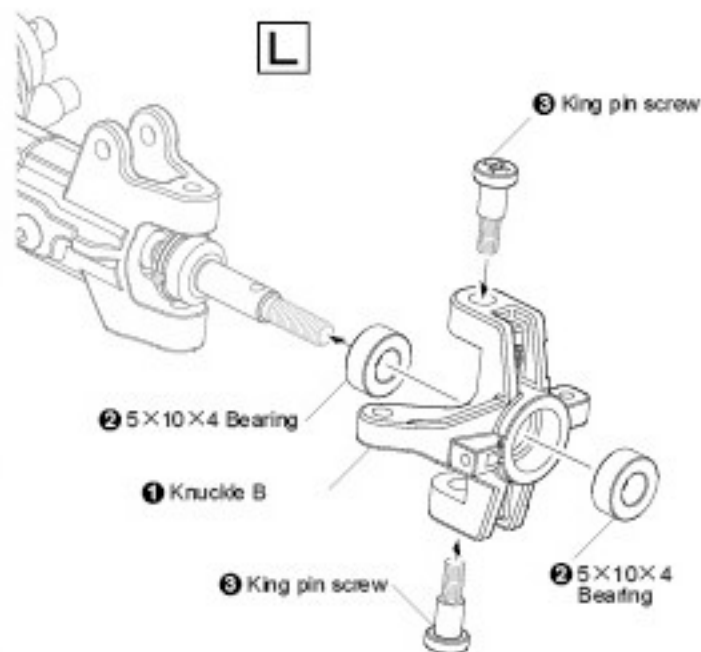
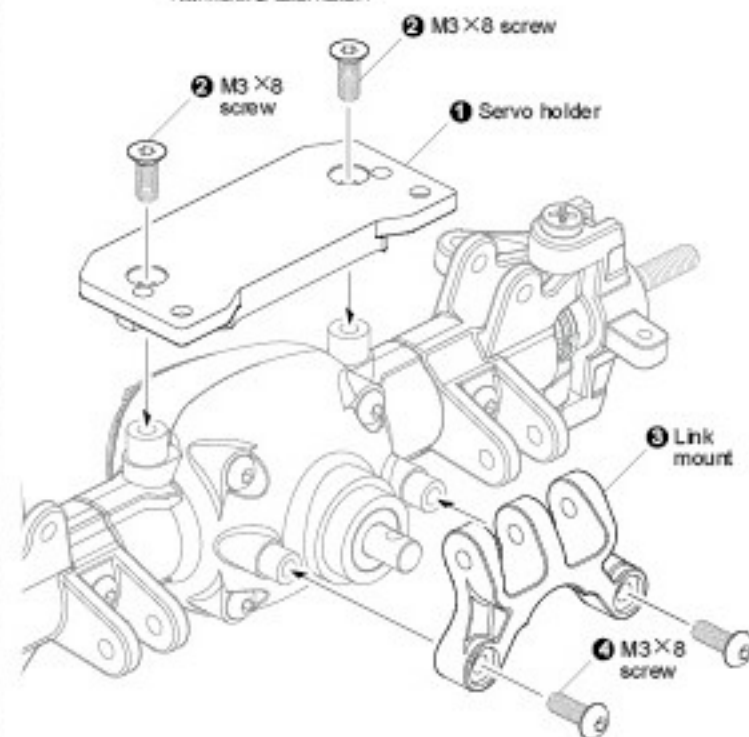
STEP 1 Bevel gear assembly
小傘齒輪裝**STEP 2** Bevel gear assembly
大傘齒輪裝**STEP 3** Attaching bevel gear
安裝傘齒輪**STEP 4** Axle cover assembly
蓋殼裝

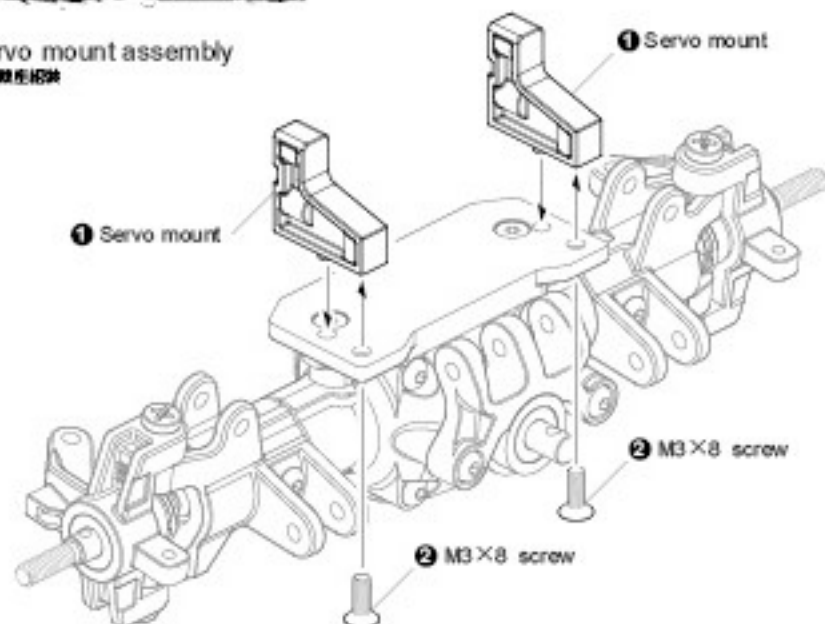
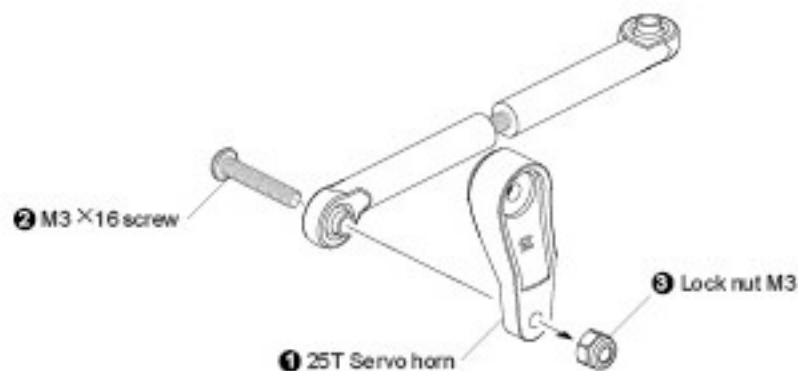
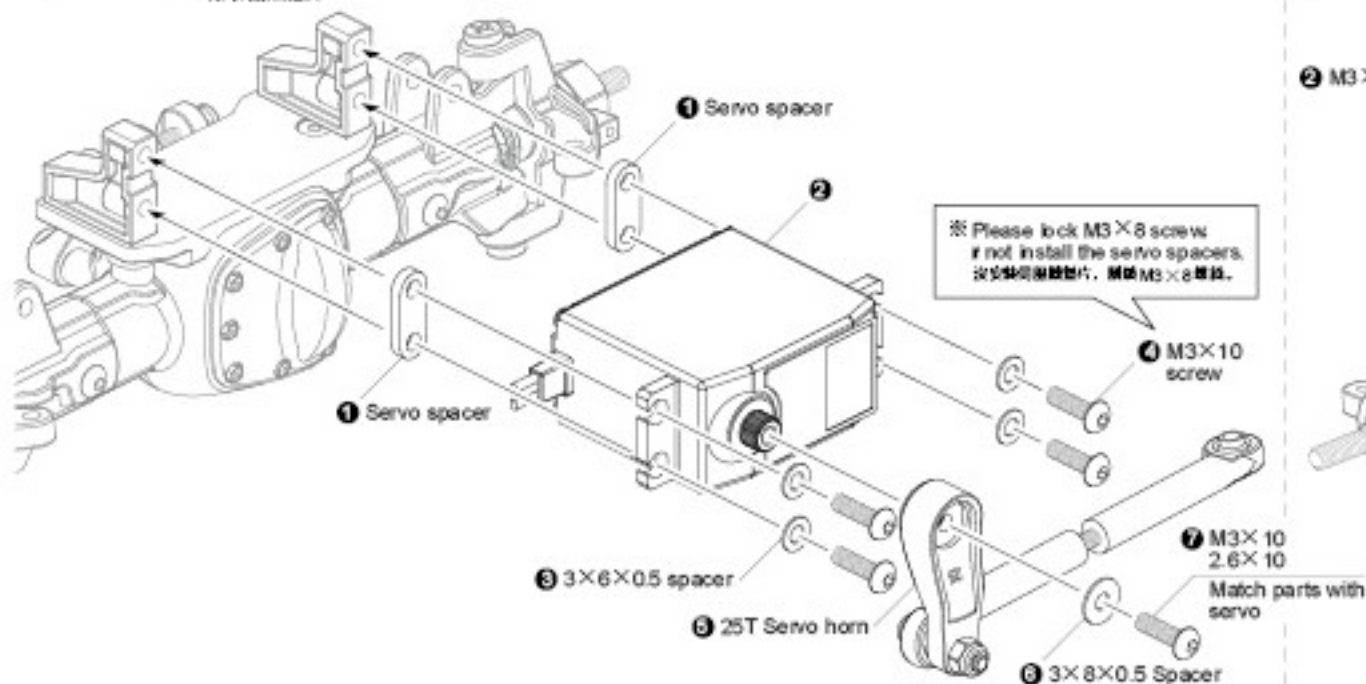
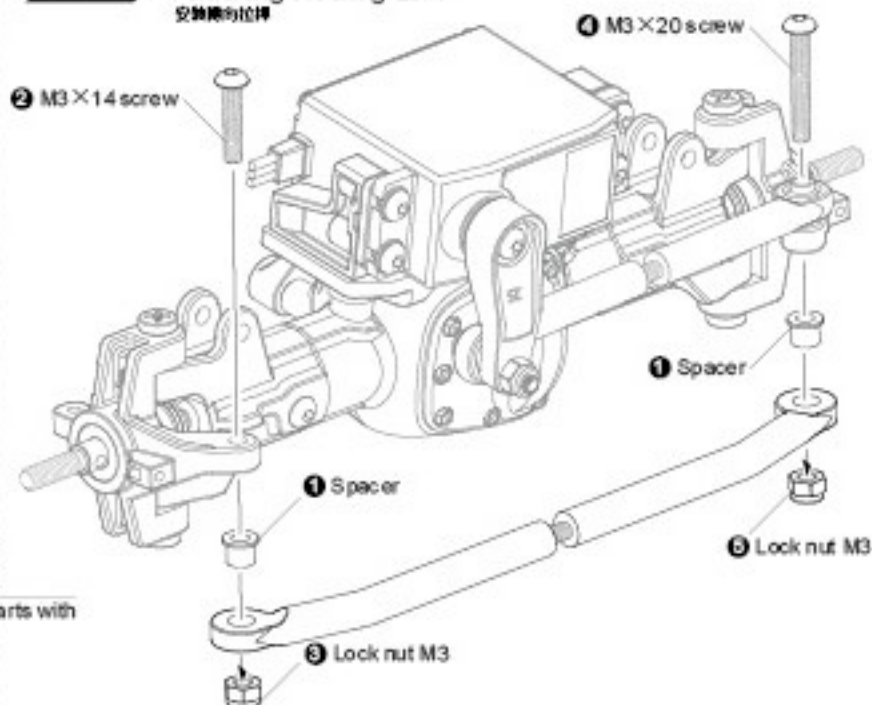
STEP 5 C HUB carrier assembly
C HUB 組裝**STEP 6** Wheel axle assembly
車軸組裝

STEP 7 Wheel axle assembly
車軸組裝

Note the G-clip mounting direction.
注意G扣安裝方向


2×9.8 Shaft


STEP 8 Knuckle assembly
轉角組裝STEP 9 Knuckle assembly
轉角組裝STEP 10 Servo plate & Link mount assembly
伺服機底座 & 上位桿組裝

STEP 11 Servo mount assembly
舵機安裝**STEP 12** Servo link assembly
舵機連接桿安裝**STEP 13** Steering servo assembly
舵機安裝**STEP 14** Attaching steering Link
安裝轉向桿


← REAR AXLE


後車軸

 M3×3 screw ×2
止付ねじ


 M2×6 screw ×1
ねじ

 M2×16 screw ×3
ねじ


 M3×6 screw ×4
ねじ

 M3×8 screw ×2
ねじ


 M3×18 screw ×4
ねじ


 2×9.8 Shaft ×2
シャフト

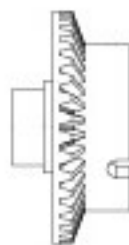
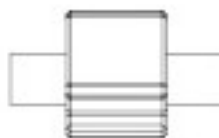
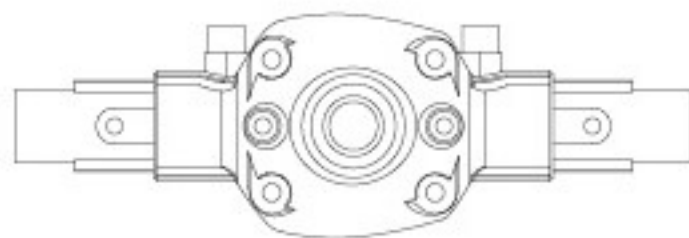
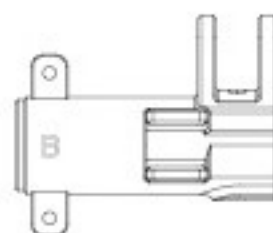
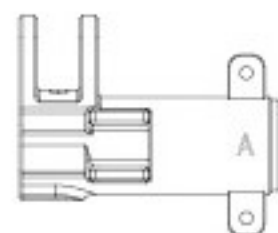
 Bevel gear shaft ×1
傘歯軸

 M5×7×0.3 spacer ×2
スペーサー

 E-clip 4.0 ×2
Eリング

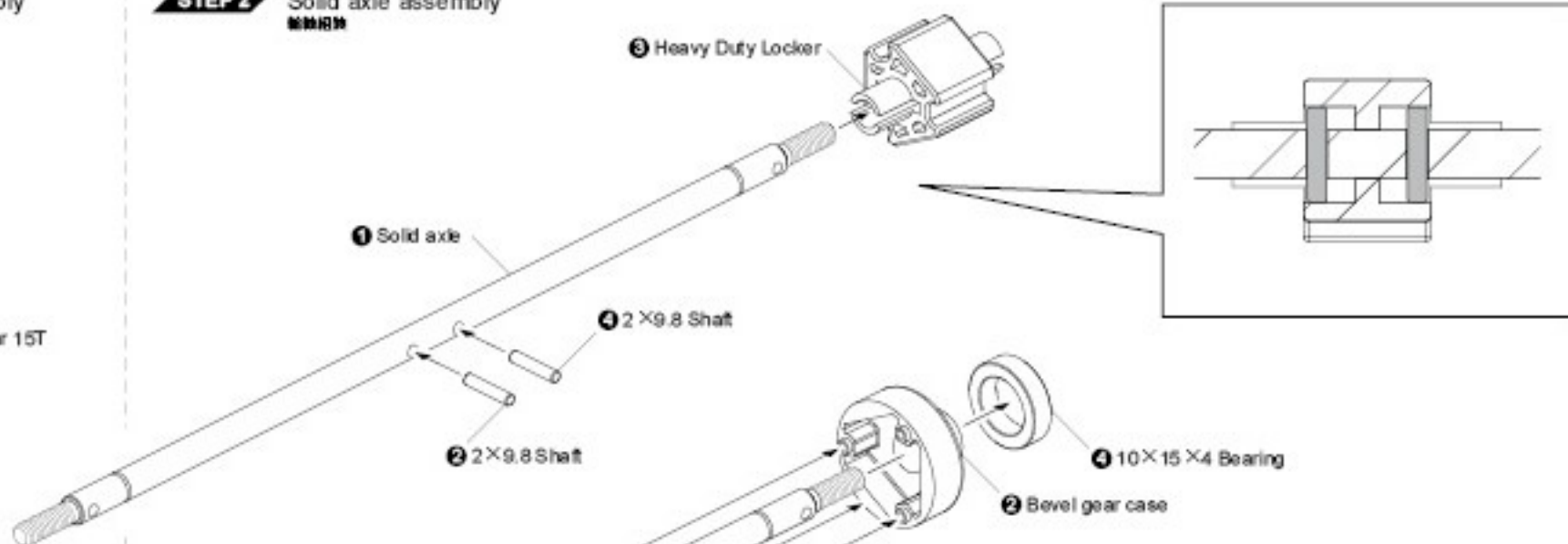
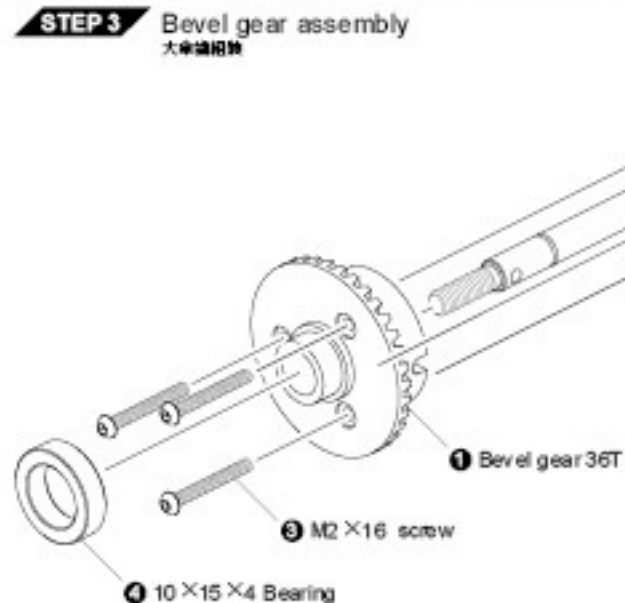
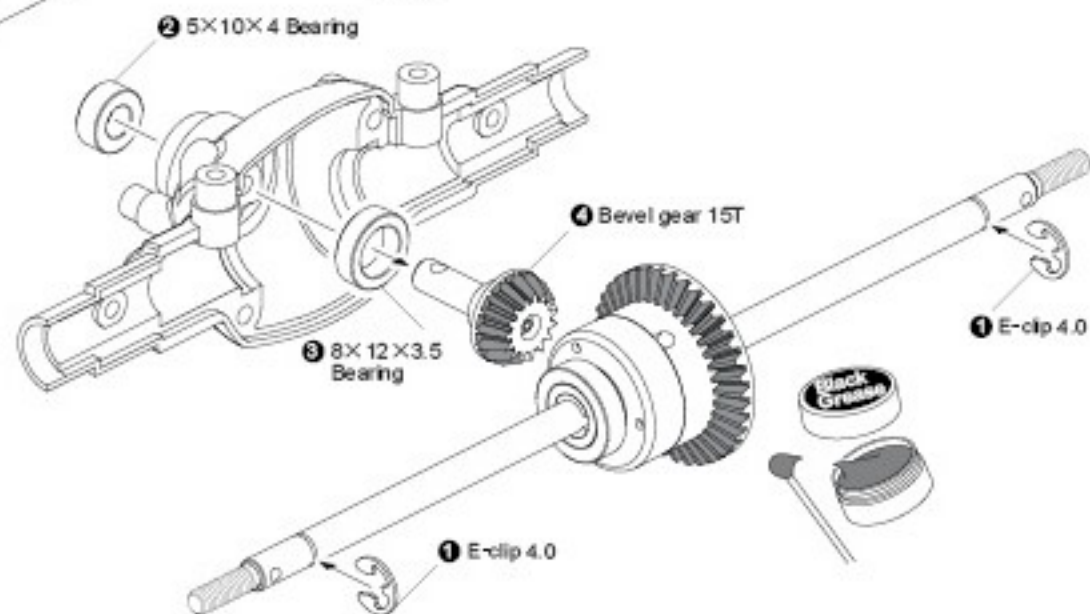
 5×10×4 Bearing ×3
ベアリング

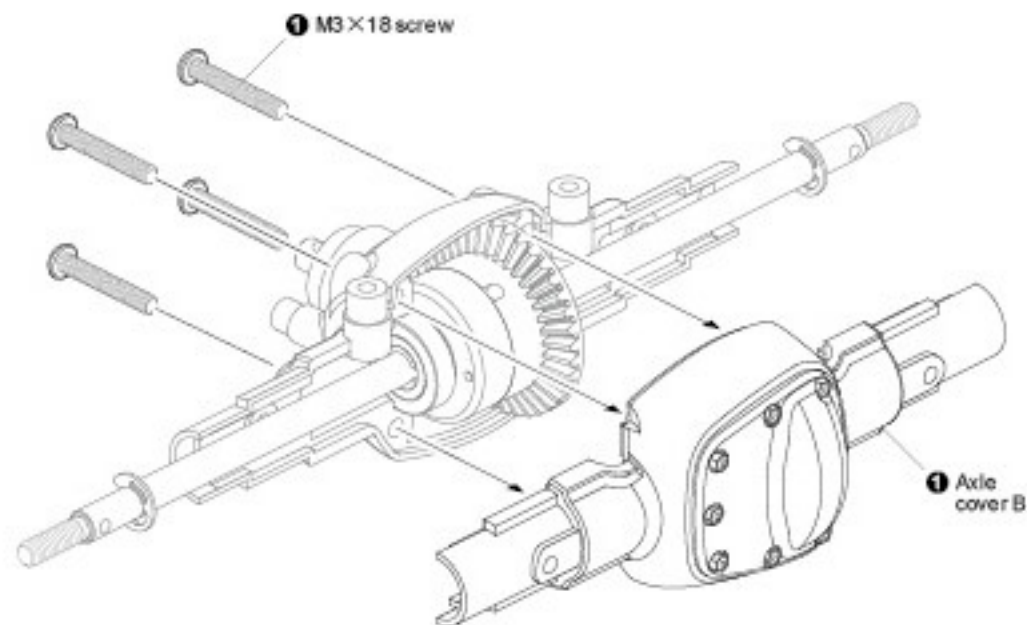
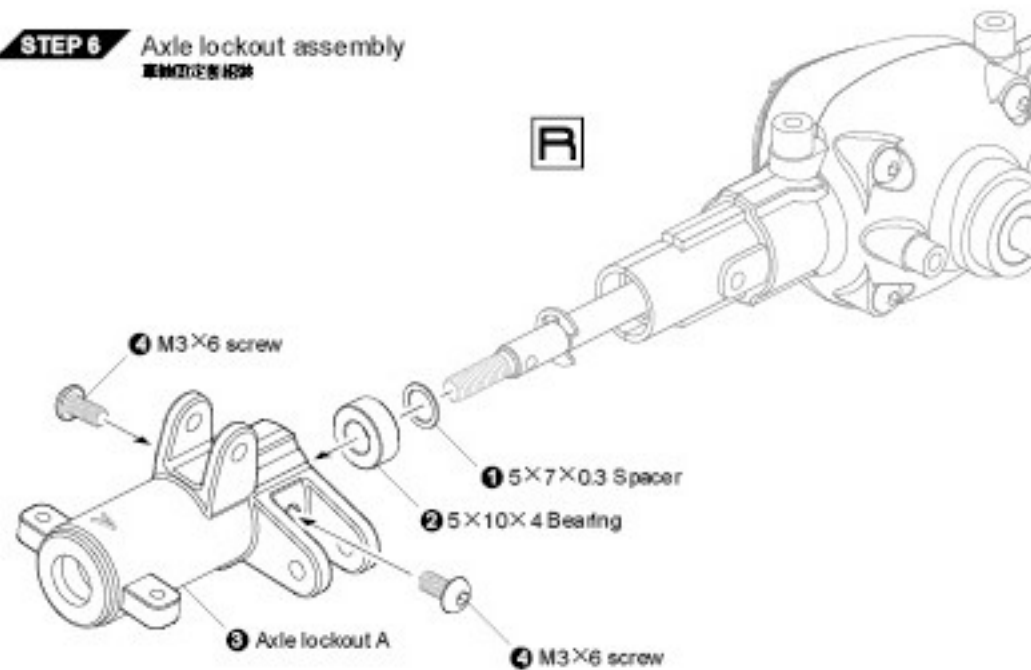
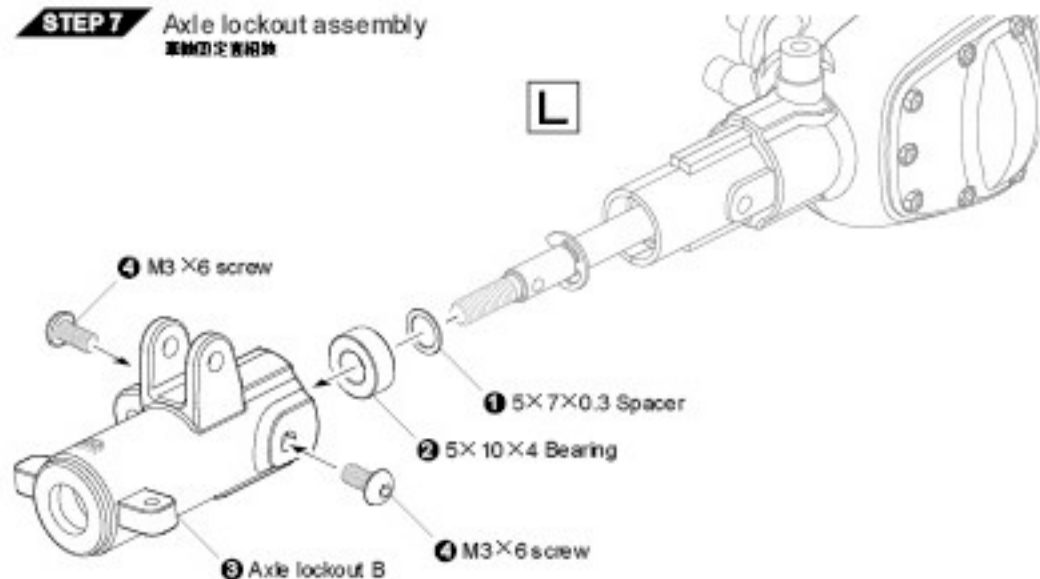
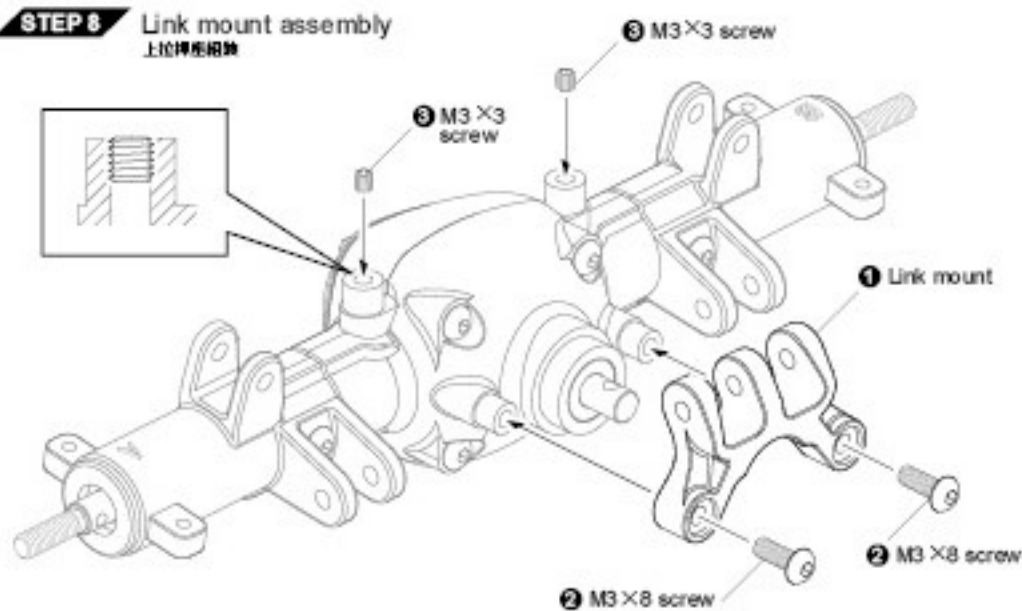
 8×12×3.5 Bearing ×1
ベアリング

 10×15×4 Bearing ×2
ベアリング
Bevel gear 15T ×1
小傘歯Bevel gear 36T ×1
大傘歯Link mount ×1
リンクマウントBevel gear case ×1
大傘歯箱Heavy Duty Locker ×1
重荷ロックAxle cover A ×1
軸カバー AAxle cover B ×1
軸カバー BAxle lockout B ×1
軸ロック BAxle lockout A ×1
軸ロック ASolid axle ×1
軸

REAR AXLE

後車軸

STEP 1 Bevel gear assembly
小車輪組裝STEP 2 Solid axle assembly
鋼車軸組裝STEP 3 Bevel gear assembly
大車輪組裝STEP 4 Attaching bevel gear
安裝車輪

STEP 5 Axle cover assembly
軸蓋組裝**STEP 6** Axle lockout assembly
軸鎖止組裝**STEP 7** Axle lockout assembly
軸鎖止組裝**STEP 8** Link mount assembly
上控制臂組裝

DRIVESHAFT

傳動軸

Lock nut M3 ×6
鎖緊螺帽

M3 ×18 screw ×4
螺絲

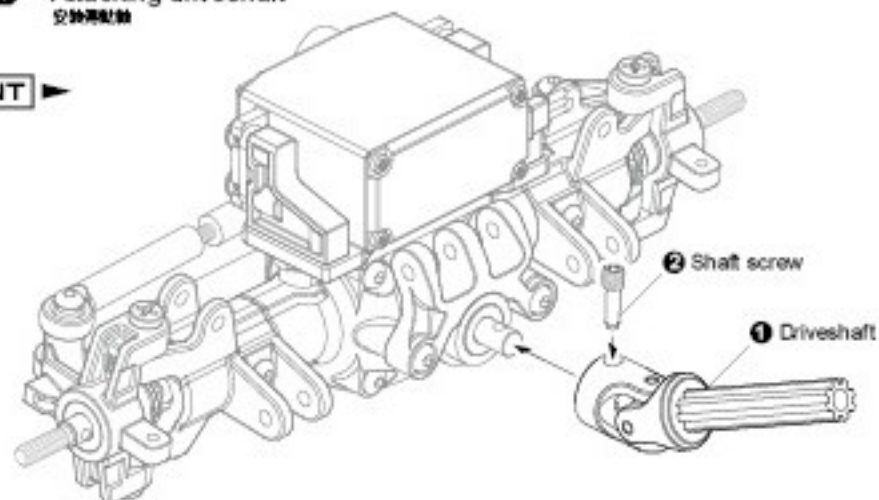
Shaft screw ×4
軸螺絲

M3 ×30 screw ×2
螺絲

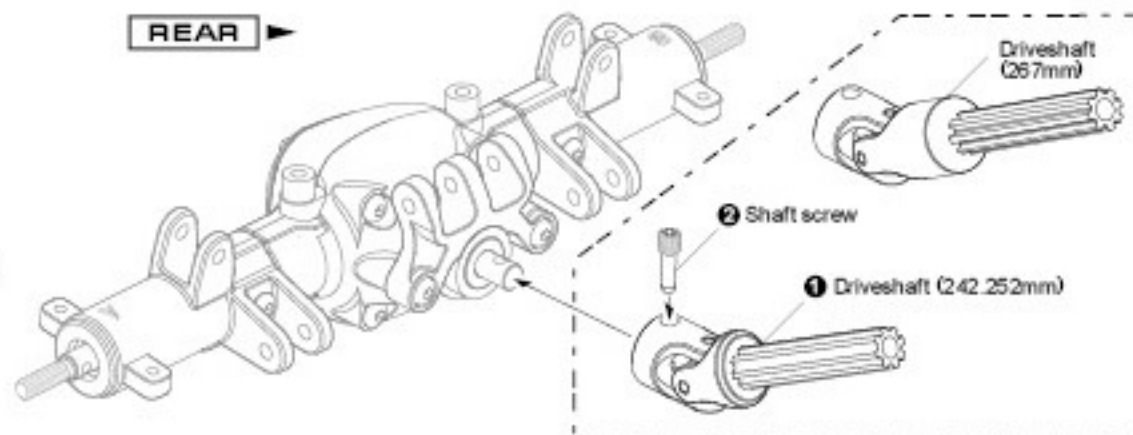


STEP 1 Attaching driveshaft
安裝傳動軸

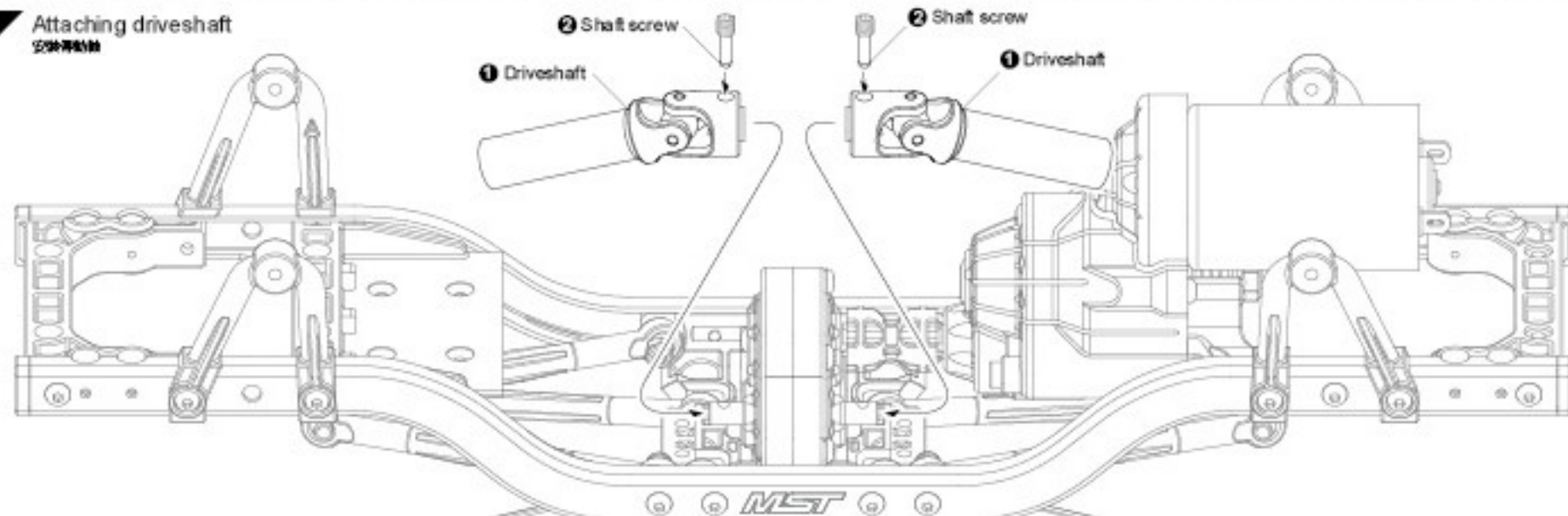
FRONT ▶

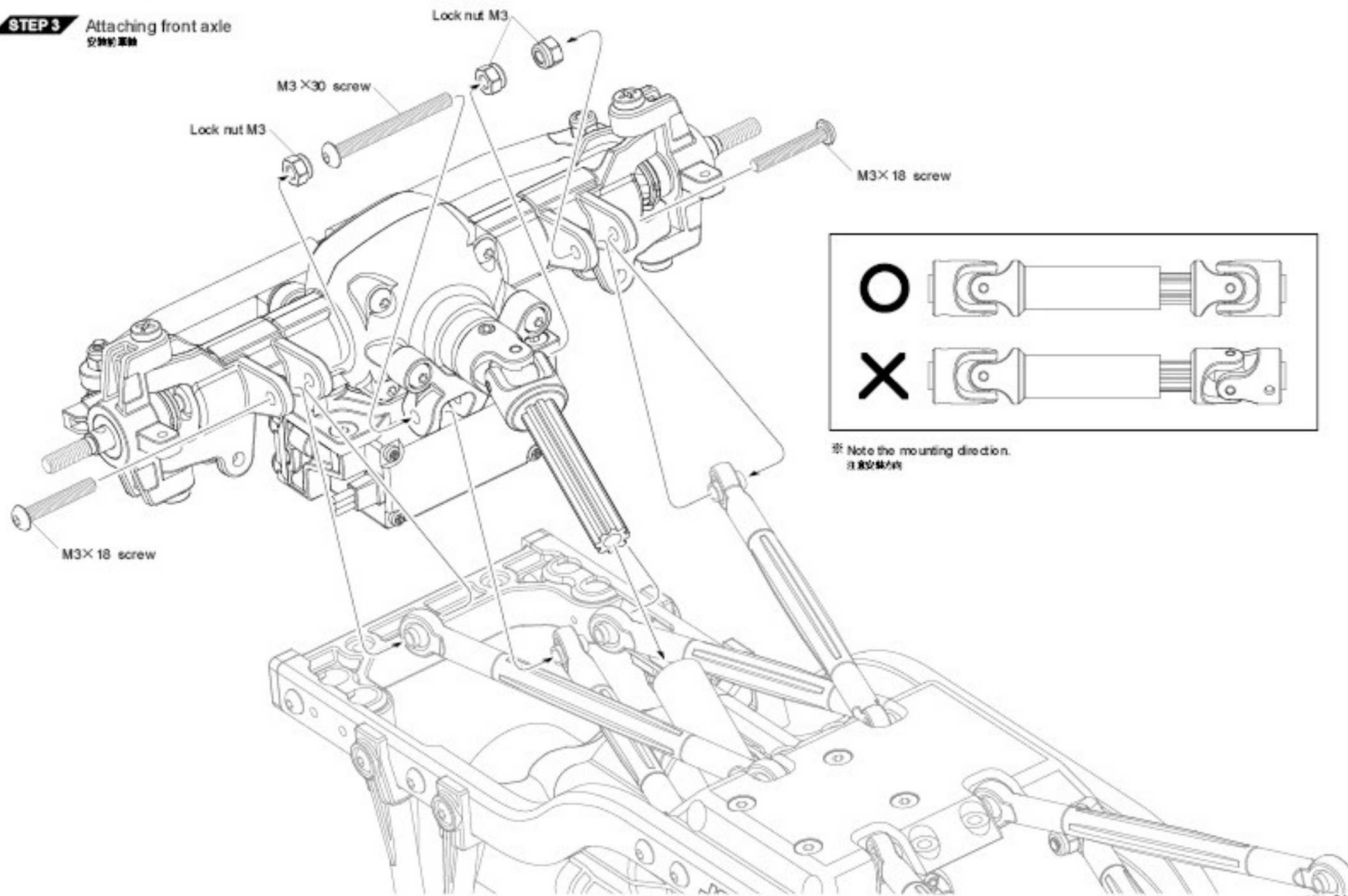


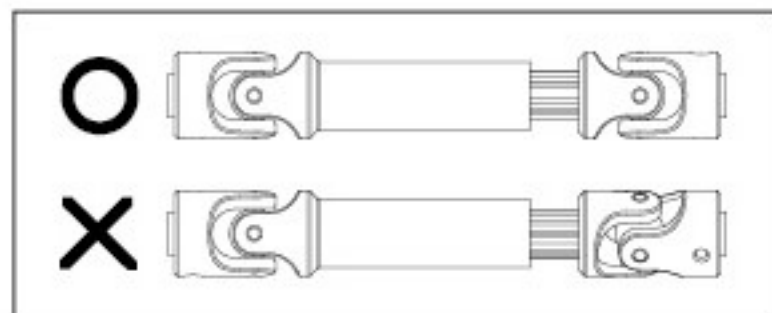
REAR ▶



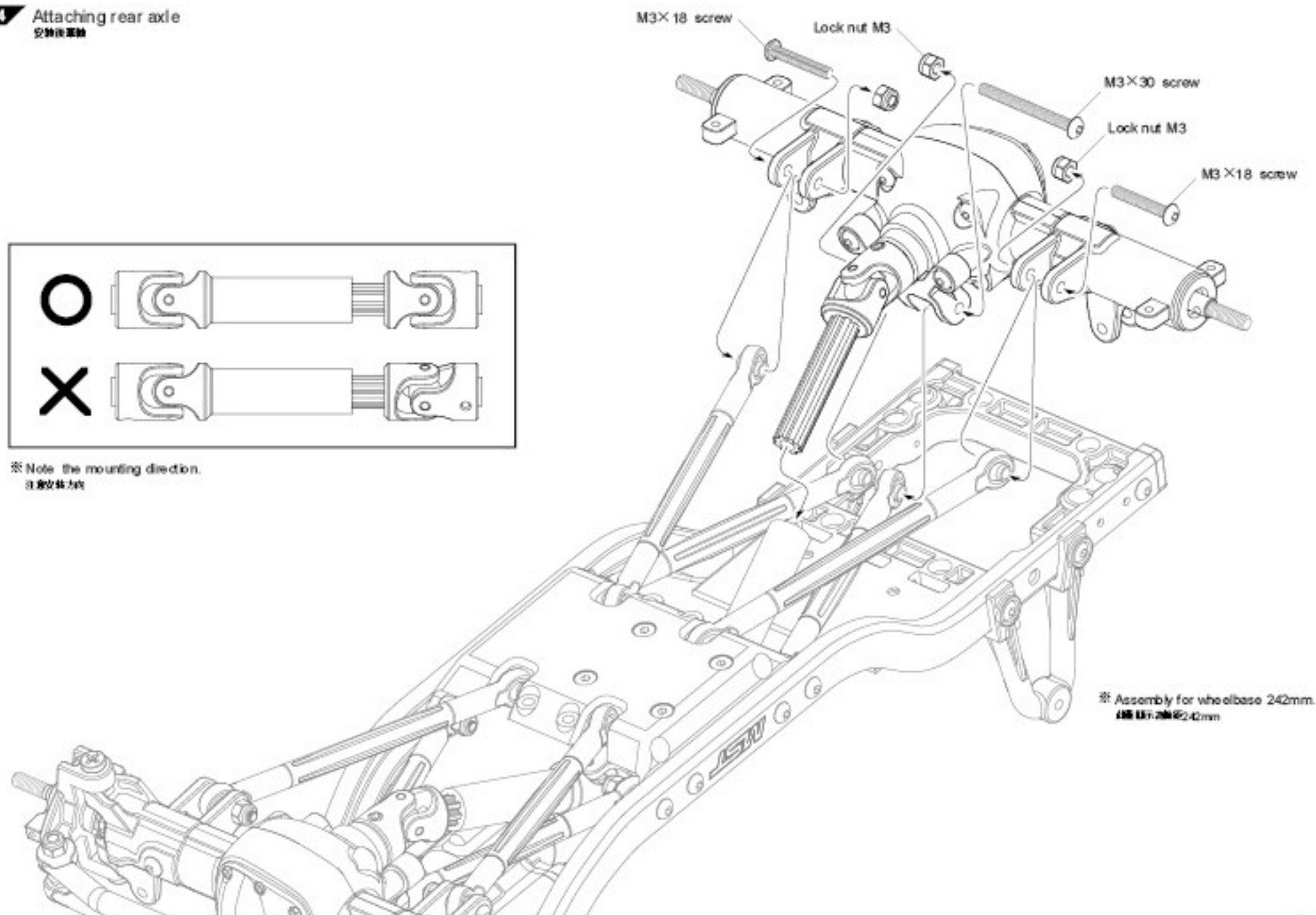
STEP 2 Attaching driveshaft
安裝傳動軸



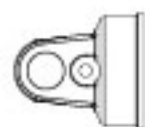
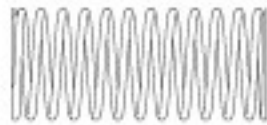
STEP 3 Attaching front axle
 安裝前軸


STEP 4 Attaching rear axle
安裝後軸

※ Note the mounting direction.
注意安裝方向

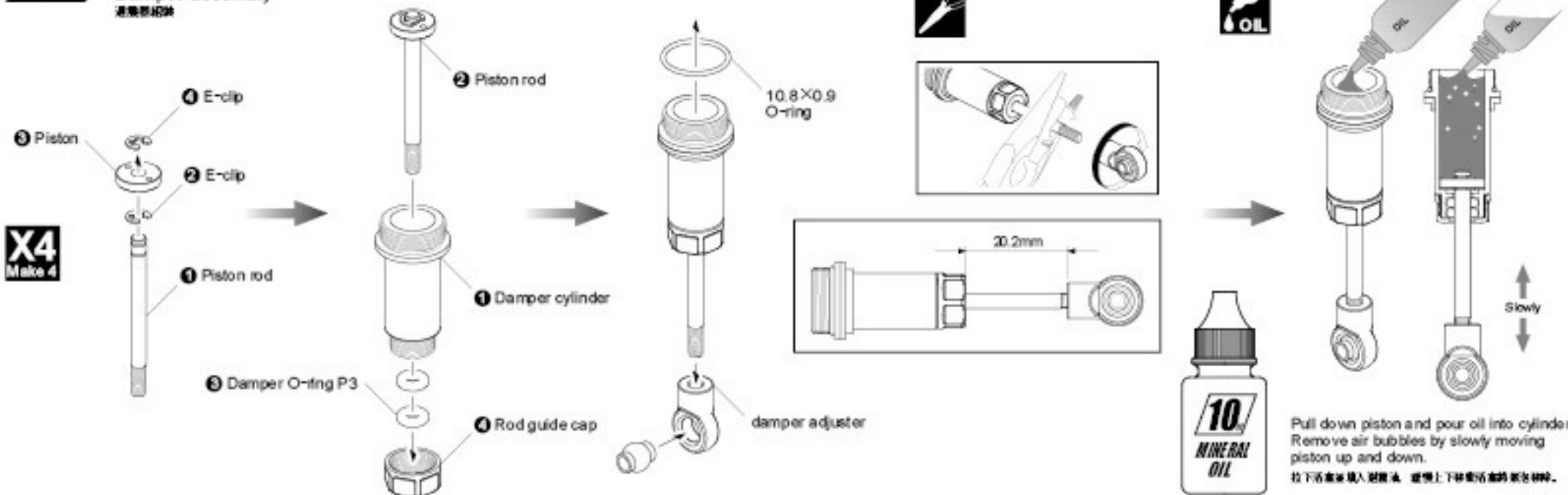


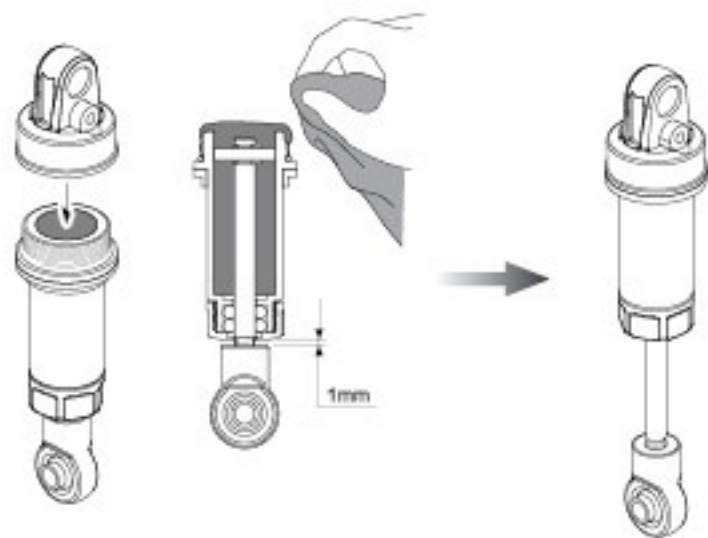
※ Assembly for wheelbase 242mm.
▲▲▲ 187.2mm 242mm

Cylinder cap X4
避震器上蓋Rod guide cap X4
避震器下蓋Damper retainer X4
避震器彈簧托Spring holder X4
彈簧托座Damper adjuster X4
避震器定位Spring spacer X4
彈簧間距1mmSpring spacer X4
彈簧間距2mmSpring spacer X4
彈簧間距4mmE-clip X10
E扣Lock nut M3 X4
防鬆螺帽Damper O-ring P3 X8
避震器O圈10.8x0.9 O-ring X4
O圈Piston X4
活塞M3x14 screw X4
螺絲釘M3x16 screw X4
螺絲釘Coil spring 45mm (hard) (silver) X4
避震彈簧 45mm (硬) (銀)Coil spring 45mm (medium) (gold) X4
避震彈簧 45mm (中) (金)Coil spring 45mm (soft) (red) X4
避震彈簧 45mm (軟) (紅)Damper cylinder X4
避震筒Piston rod X4
避震軸

STEP 1 Damper assembly

避震器組裝



STEP 1 Damper assembly
避震器組裝

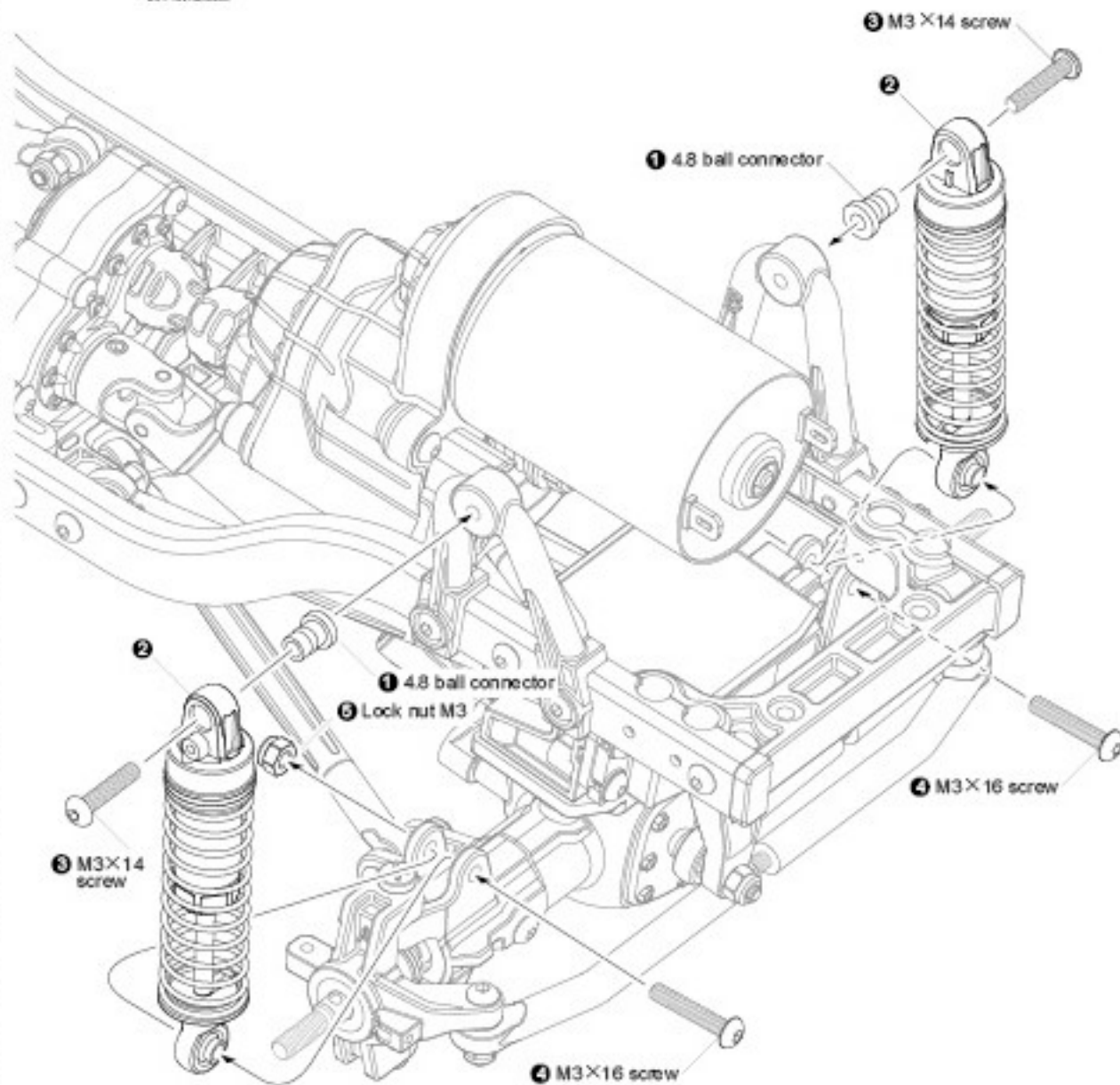
Pull down piston rod 1mm, attach cylinder cap and absorb oil overflow with tissue paper.

將心向下1mm，蓋上避震器上蓋，用紙巾吸收溢出的油。

② Coil spring 45mm
(medium-gold)

③ Damper retainer

X4
Make 4

STEP 2 Attaching front damper
安裝前避震器

③ M3×14 screw

②

① 4.8 ball connector

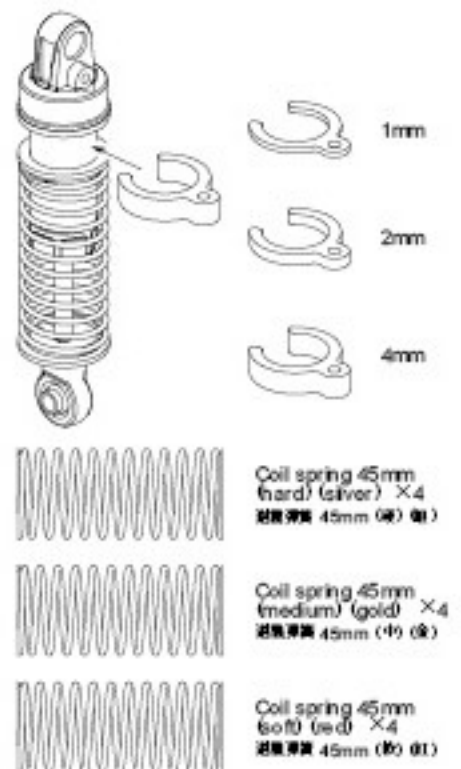
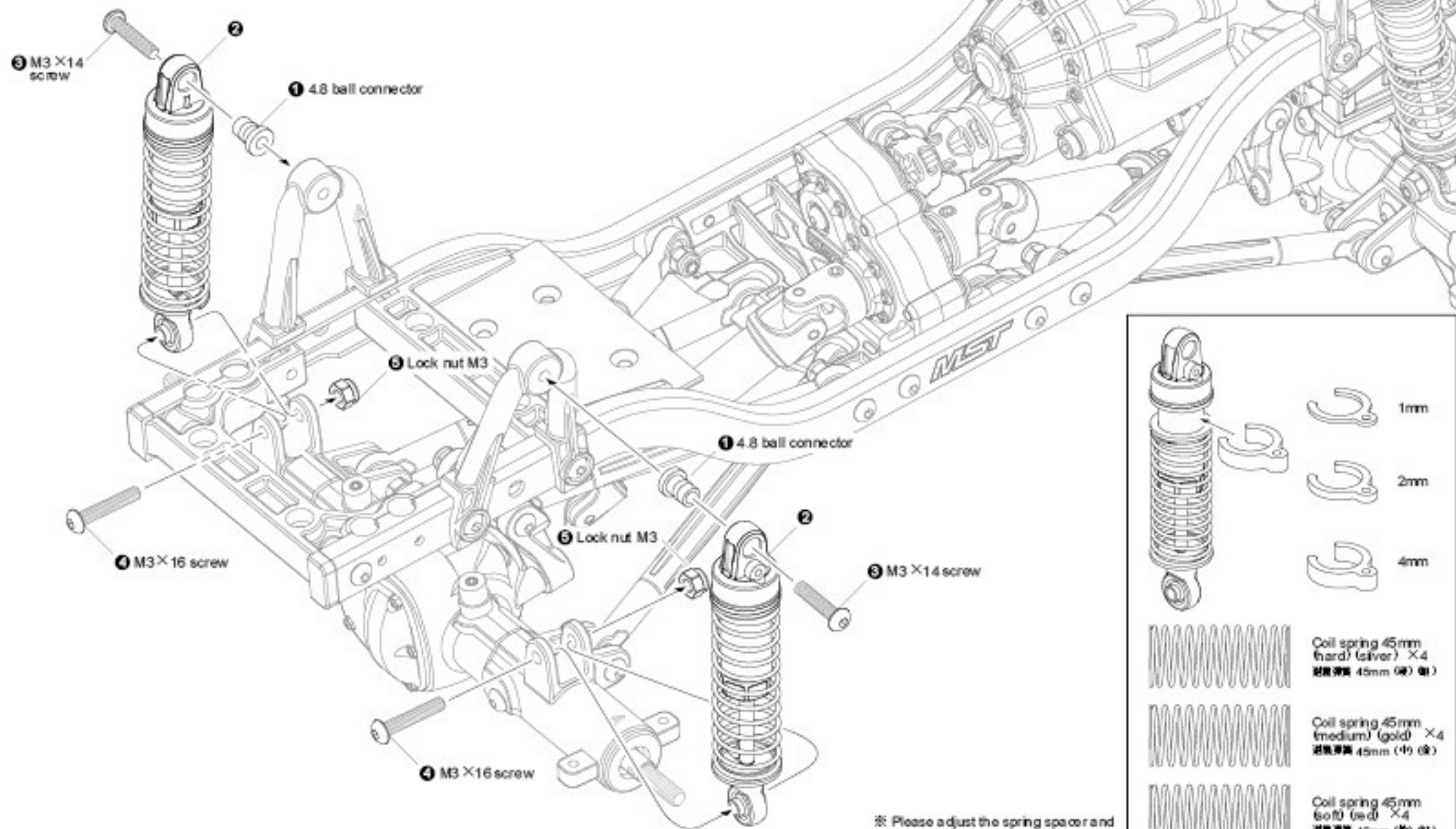
① 4.8 ball connector

⑤ Lock nut M3

④ M3×16 screw

⑥ M3×14 screw

④ M3×16 screw

STEP 3 Attaching rear damper
安裝避震器

※ Please adjust the spring spacer and spring according to the car height.
請依照車輛高度調整避震彈簧。

BATTERY MOUNT

電池座

M3 × 16 screw × 2
六角螺絲

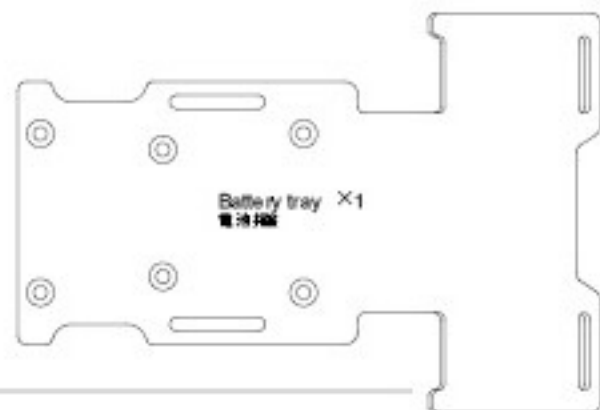
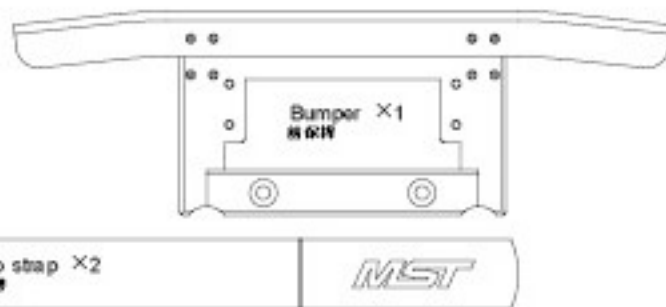
3 × 6 × 4 Spacer × 2
墊片

M3 × 25 screw × 2
六角螺絲

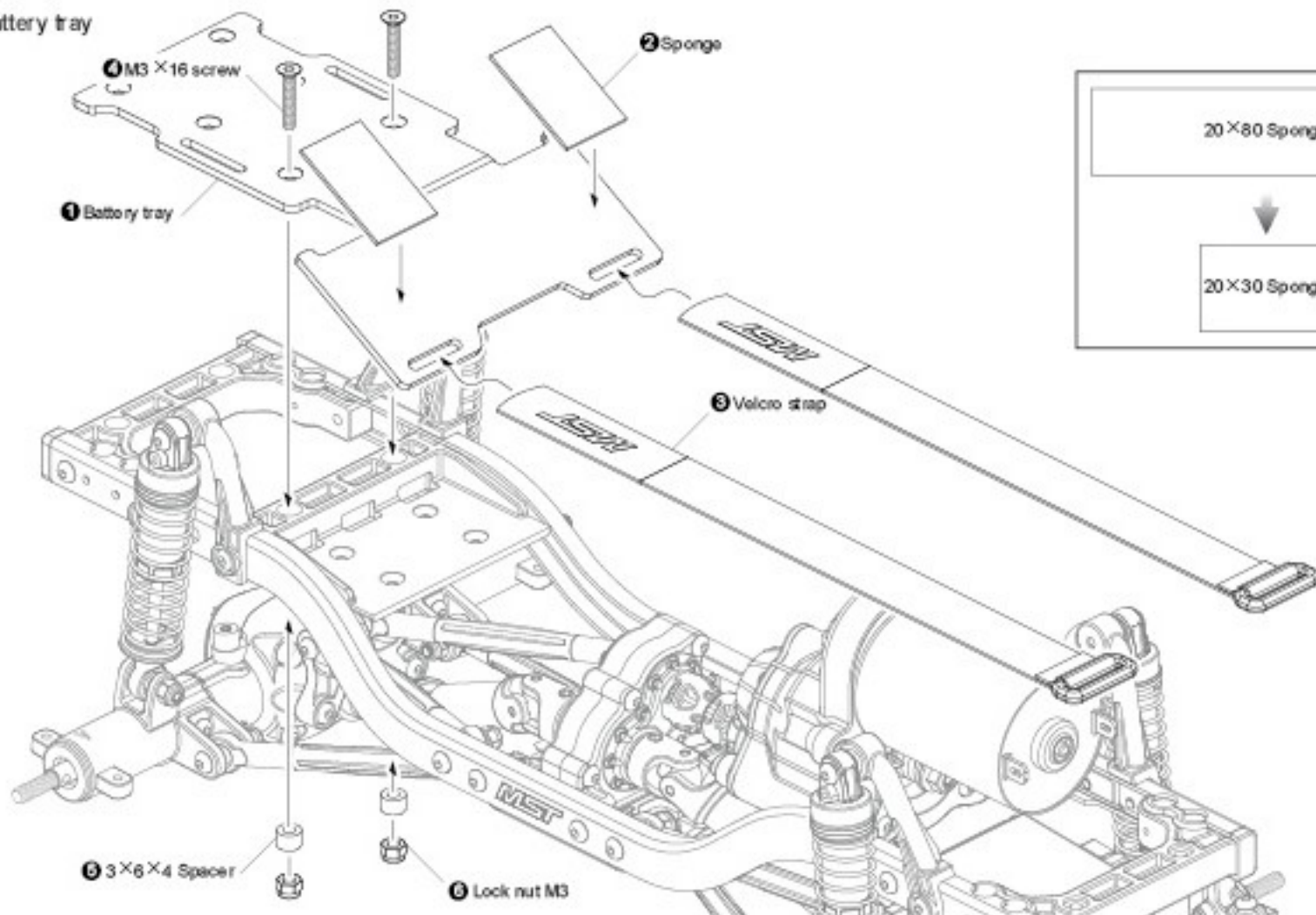
3 × 8 × 0.5 Spacer × 2
墊片

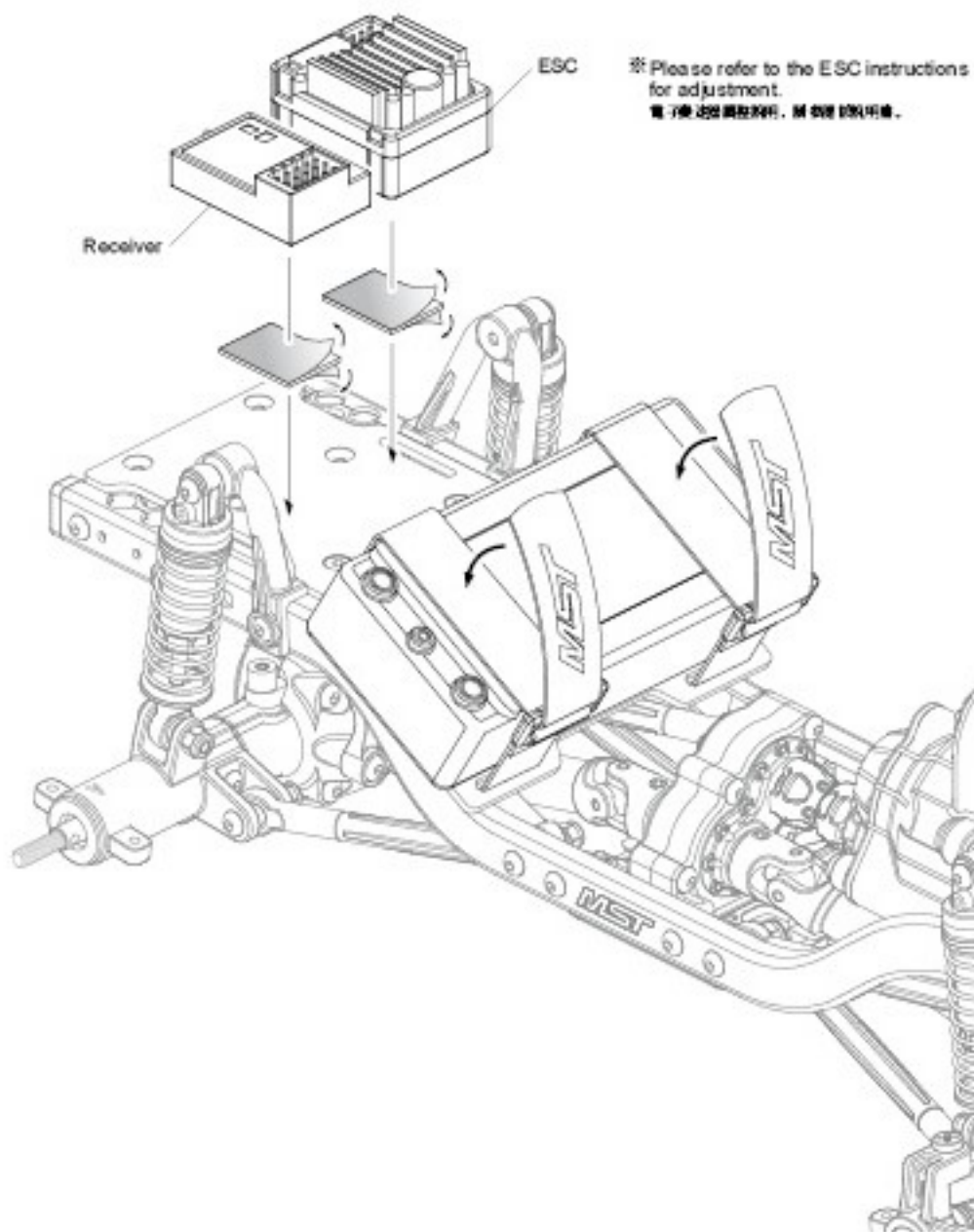
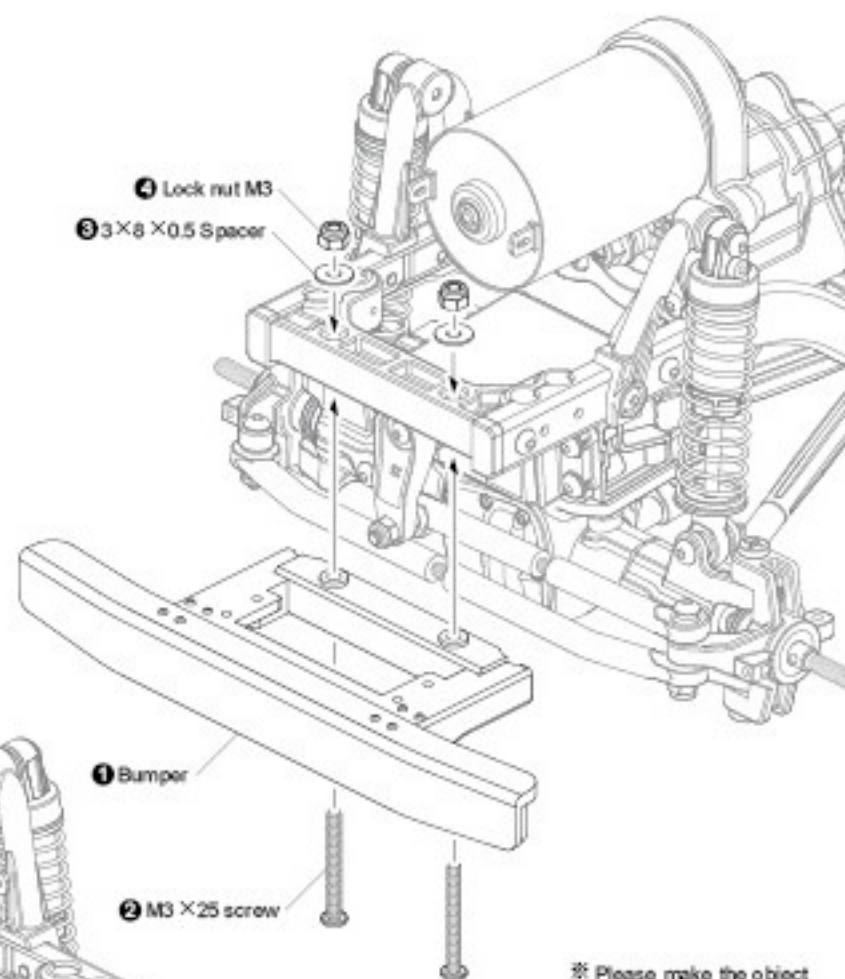
Lock nut M3 × 4
六角螺帽

Velcro strap × 2
電機束帶



STEP 1 Attaching battery tray
安裝電池托盤



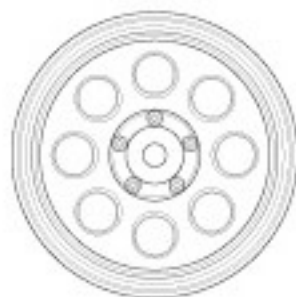
STEP 2 Attaching ESC, receiver
 安裝電子變速器、接收機

STEP 3 Attaching bumper
 安裝防撞桿


※ Please make the object as the standard.
※ 標準通りに作ってください。

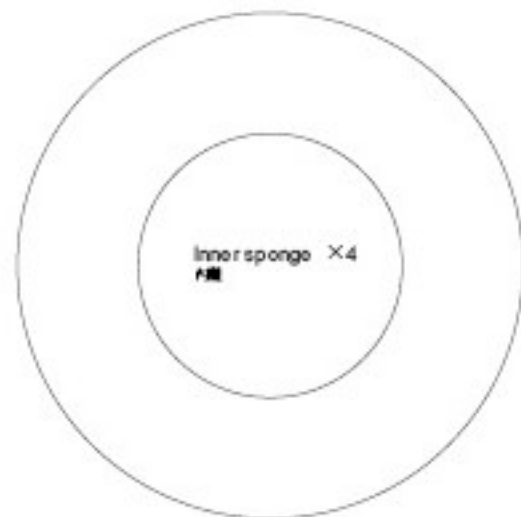
2 X9.8 Shaft X4
シャフト



Lock nut M4 X4
ナット



Wheel X4
車輪

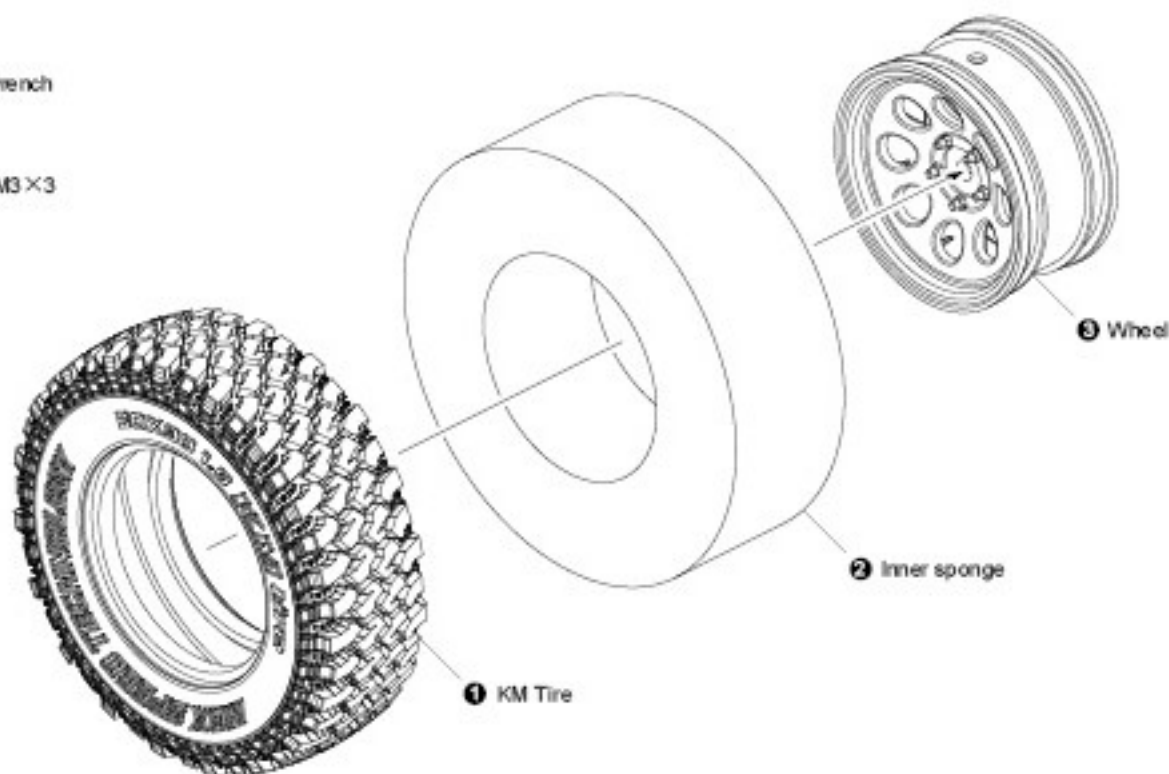
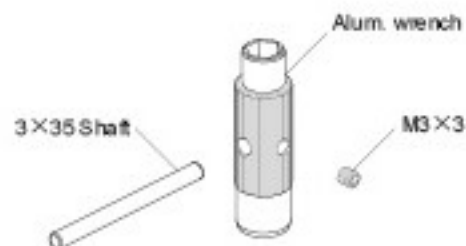


Inner sponge X4
スポンジ



KM Crawler Tire X4
タイヤ

STEP 1 Assemble tire and wheel タイヤと車輪を組み立てる



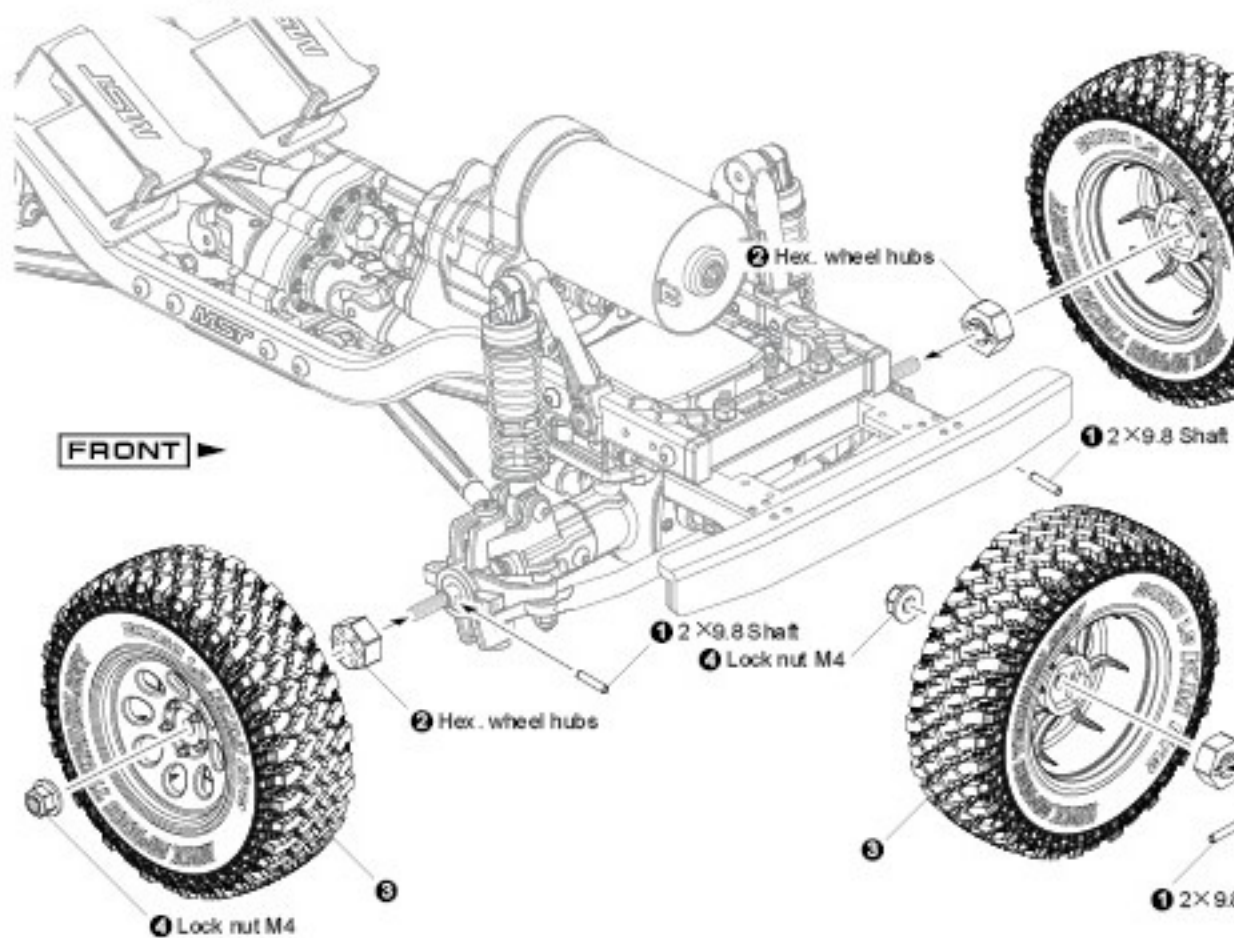
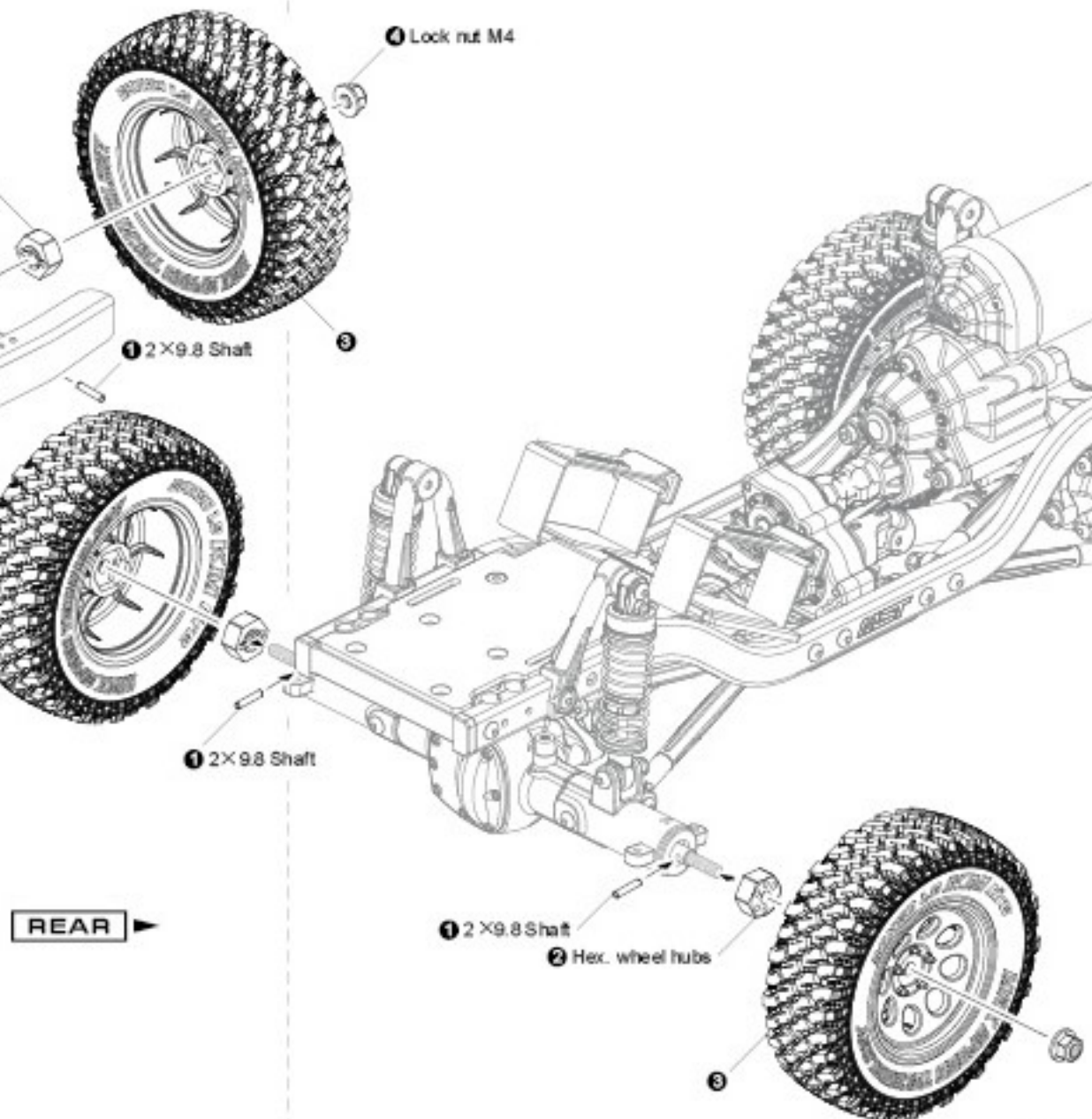
X4
Make 4

※ Adhesive
接着剤

※ Glue on both sides.
両面に塗ってください。

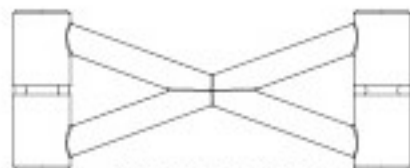


※ Please operate it at ventilated place.
※ 換気できる場所で作業してください。

STEP 2 Attaching front wheels
20 MIN**STEP 3** Attaching rear wheels
20 MIN

BODY MOUNTS

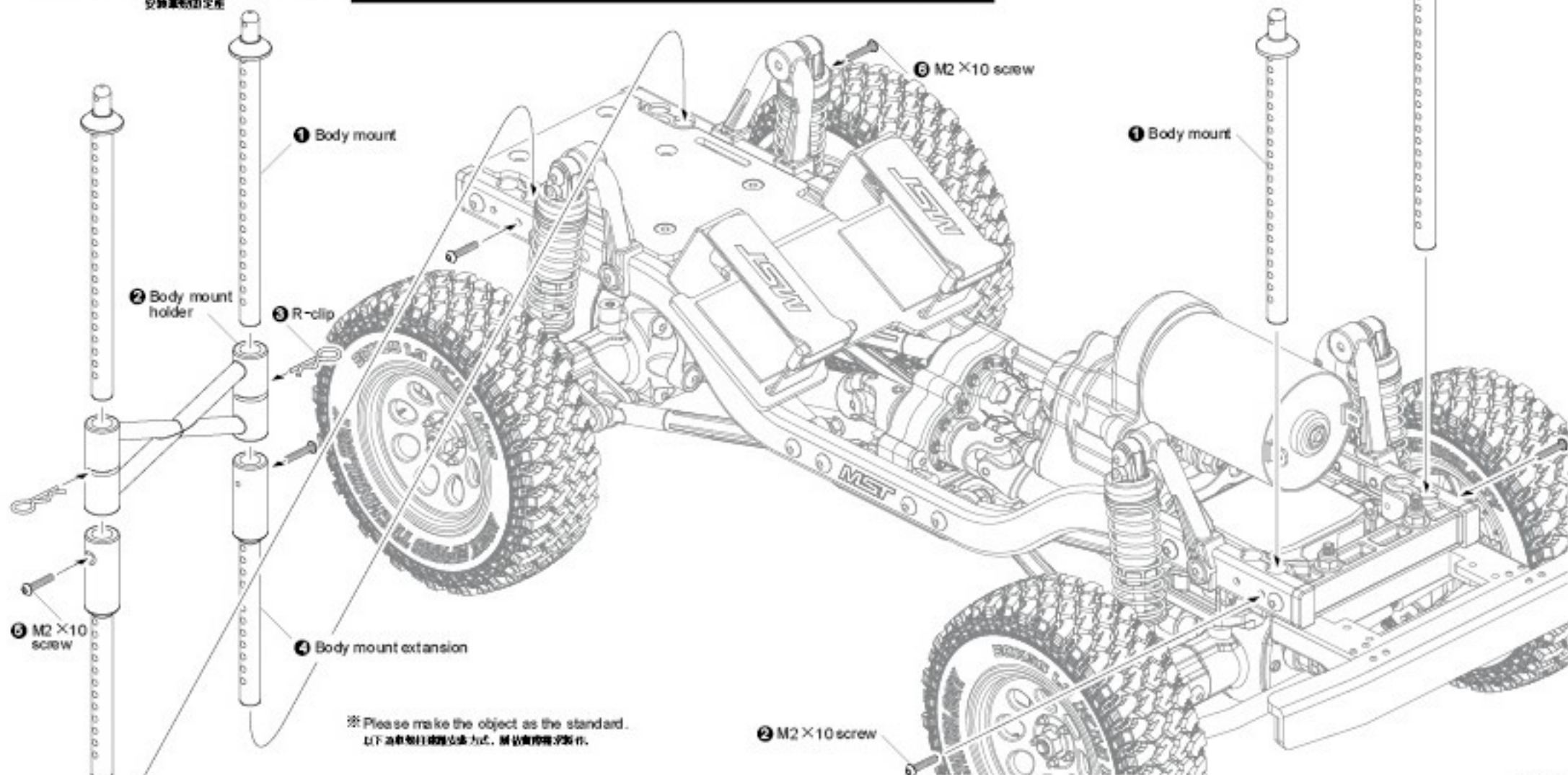
車體固定座

Body mount extension ×2
車體固定座Body mount ×4
車體支柱Body mount holder ×2
車體支柱固定架R-clip ×9
R形夾M2 × 10 Screw ×6
螺絲釘

STEP 1 Attaching body mounts

安裝車體固定座

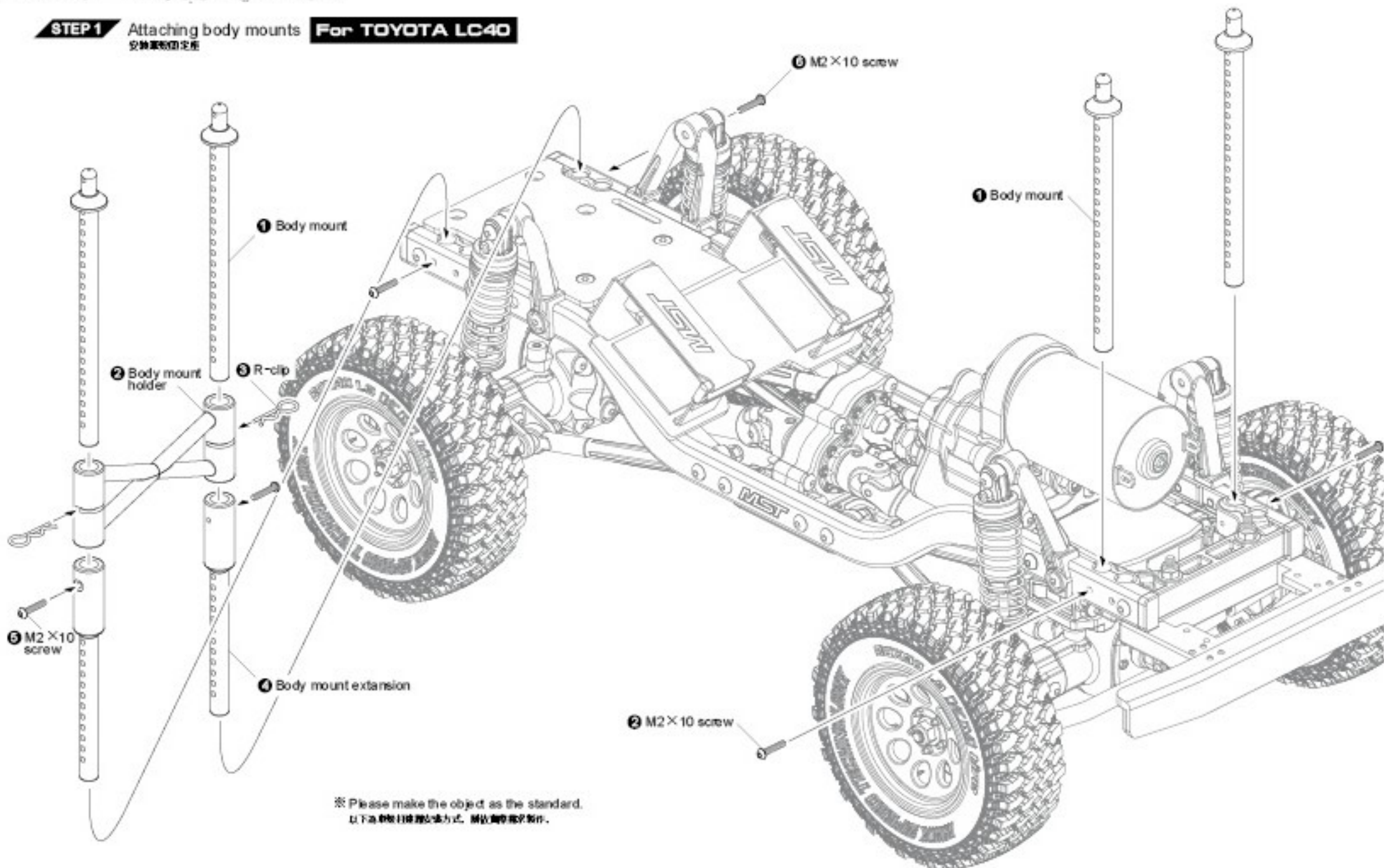
For FORD Bronco, M-BENZ Unimog 406, TOYOTA FJ



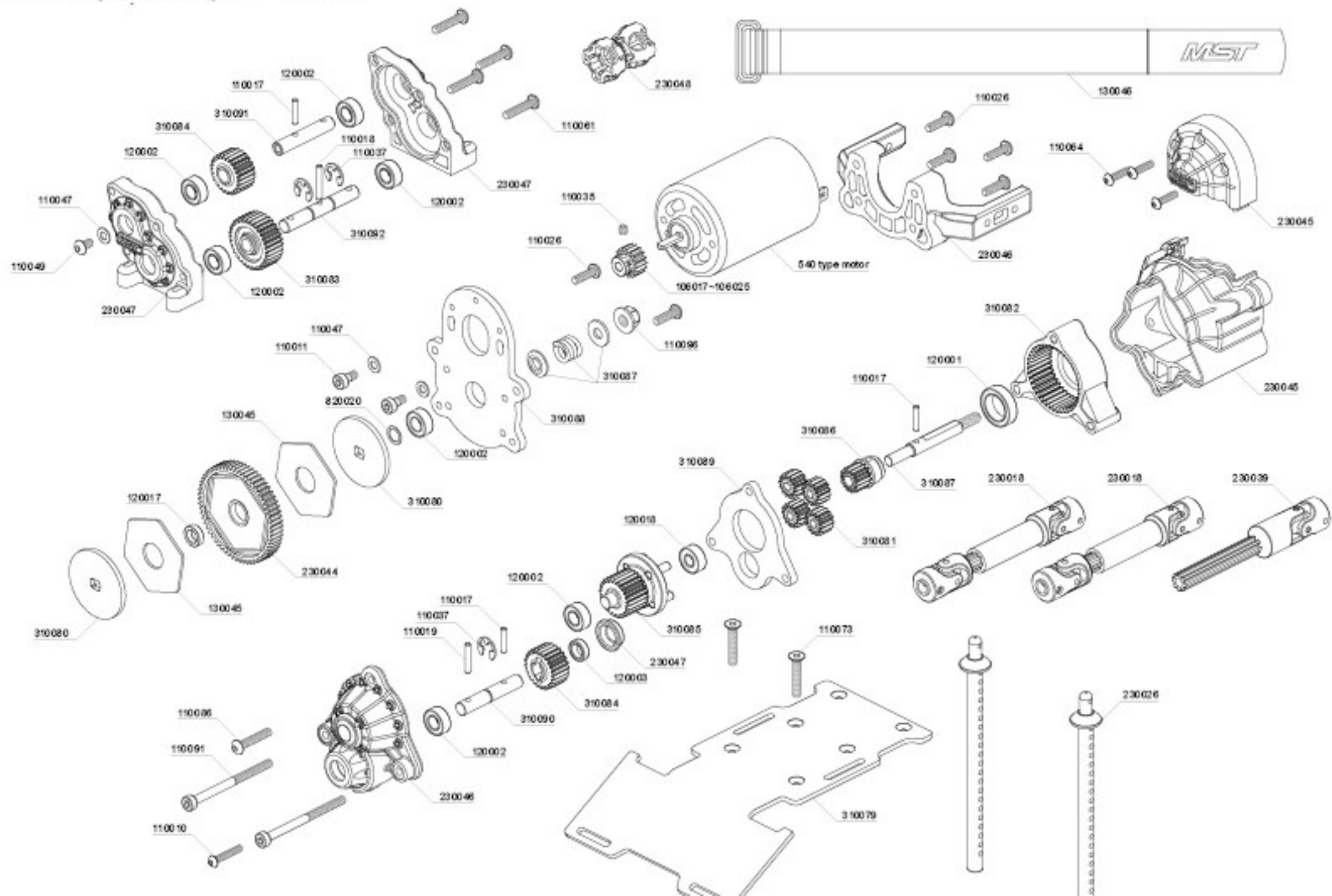
STEP 1 Attaching body mounts

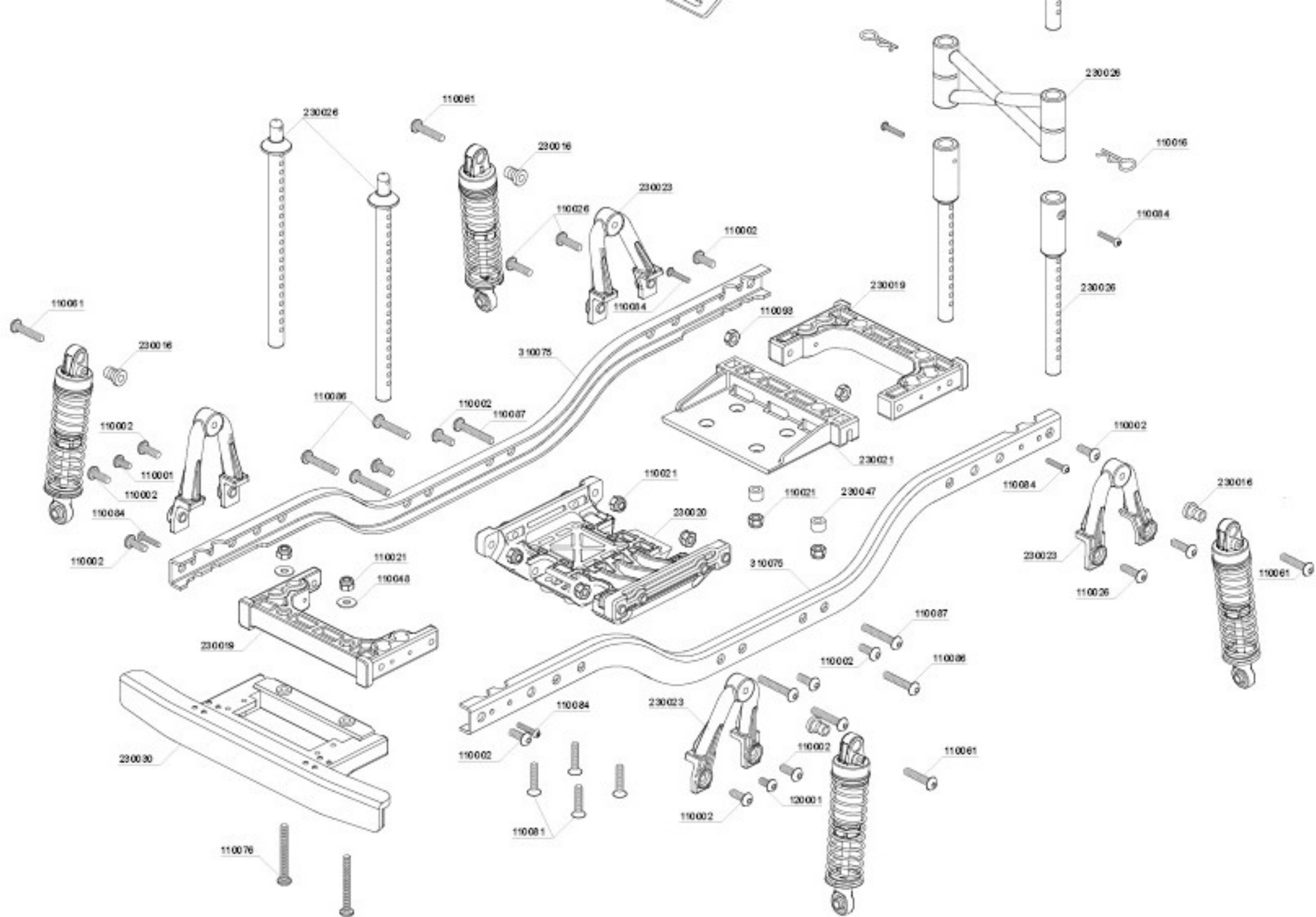
安裝車體固定座

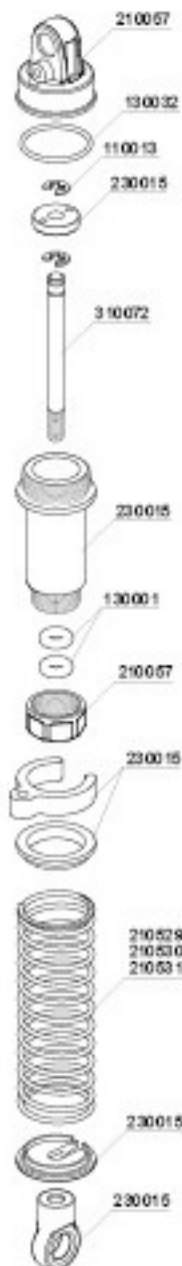
For TOYOTA LC40



※ Please make the object as the standard.
 必ず標準の状態で組み立ててください。

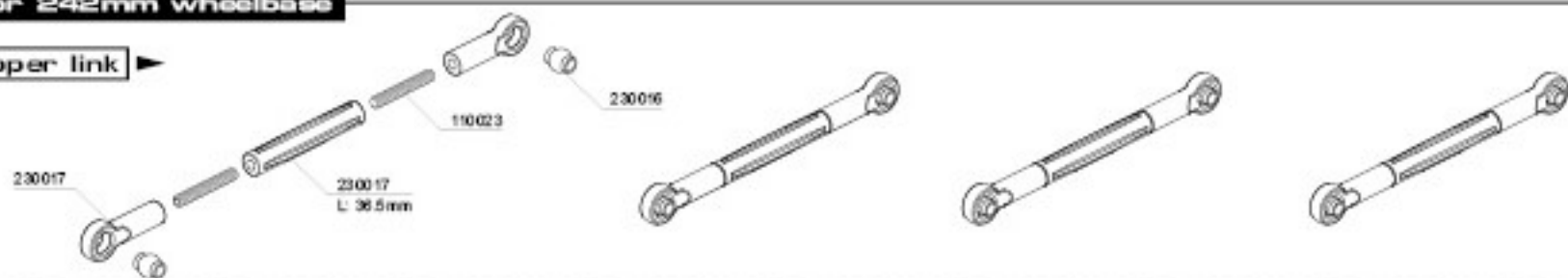






For 242mm wheelbase

Upper link

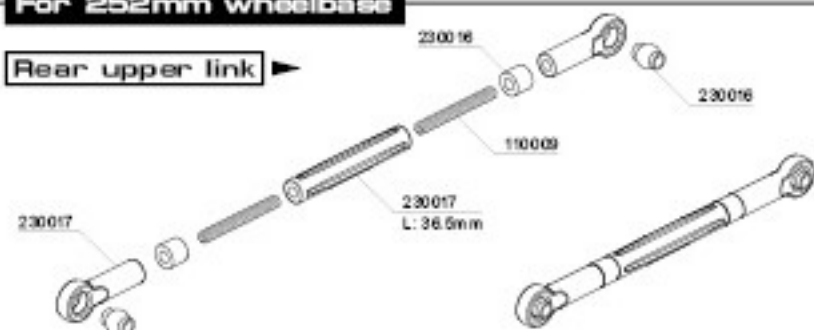


Lower link

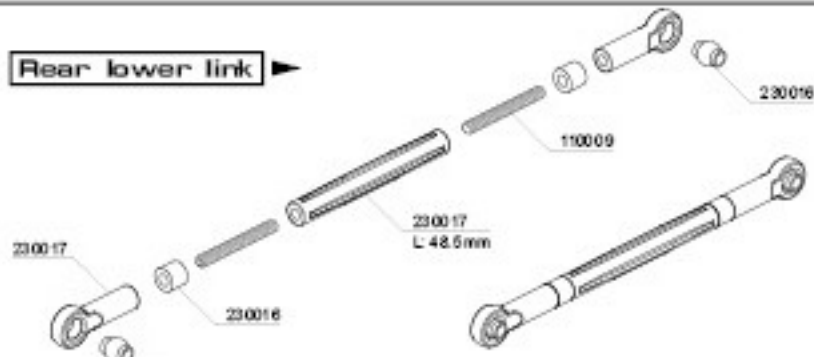


For 252mm wheelbase

Rear upper link



Rear lower link

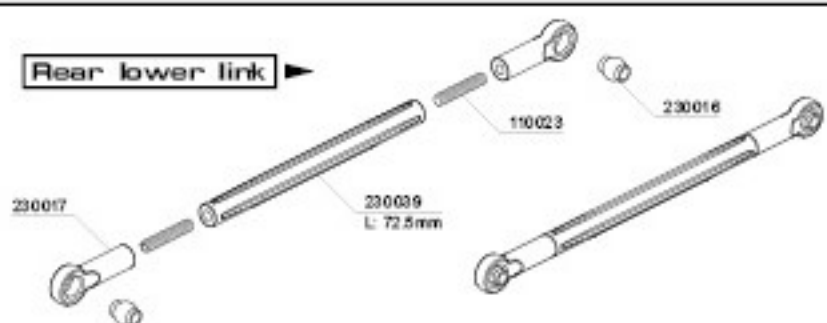


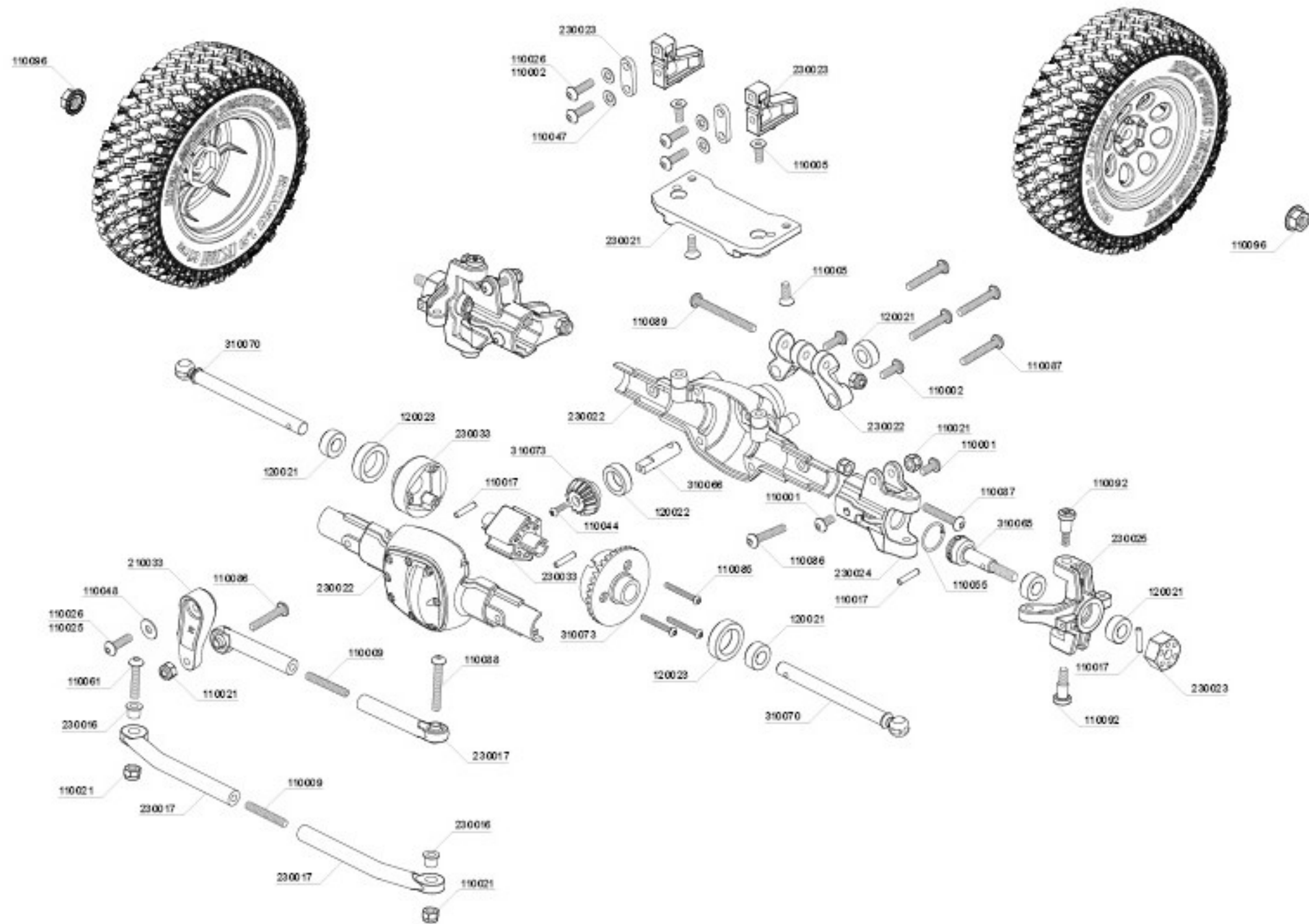
For 267mm wheelbase

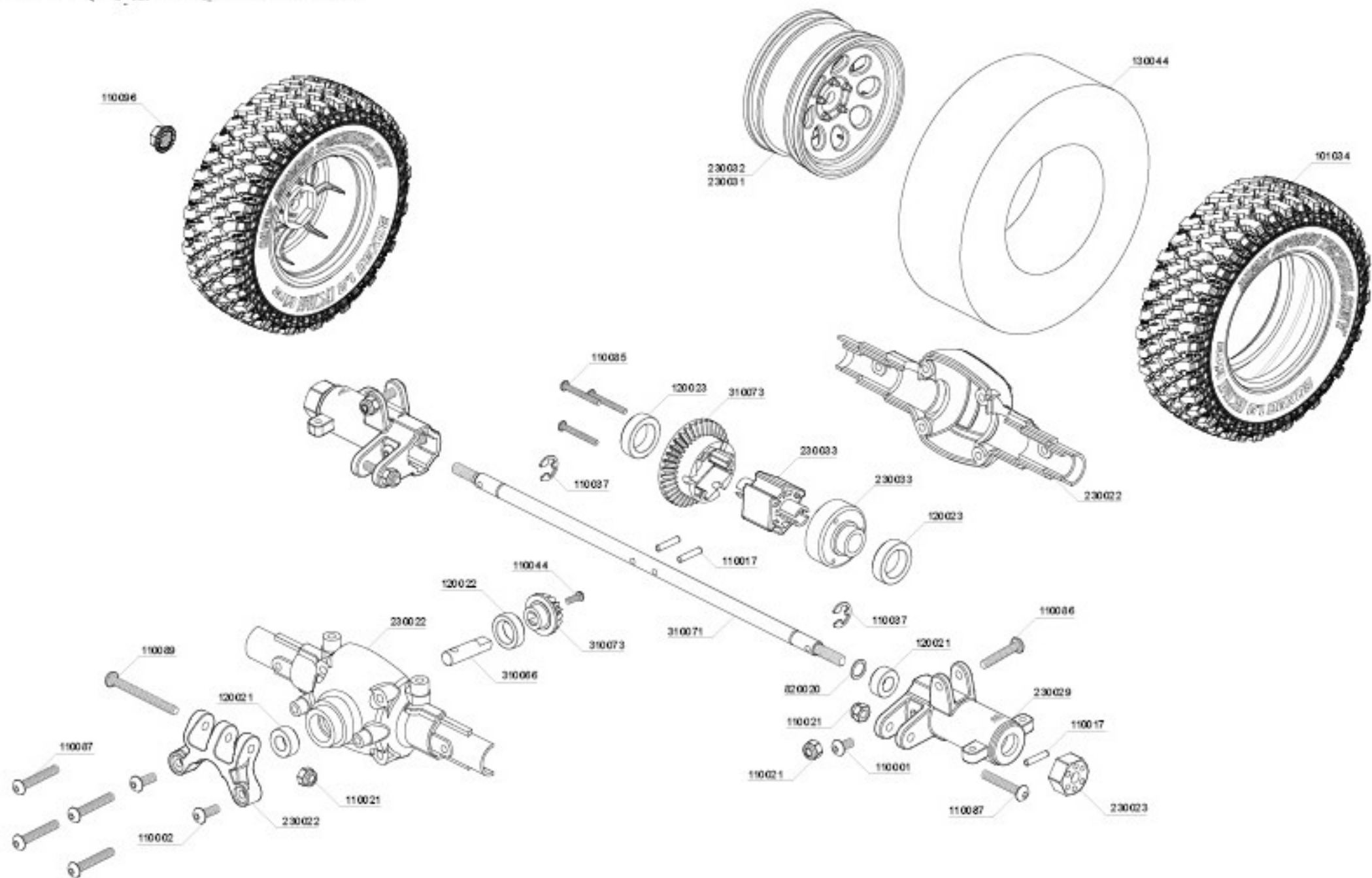
Rear upper link



Rear lower link







PARTS CODE

101034	KM Crawler tire 30×90-1.9" (medium-40") (2)	110049	Round head screw M3×5 (10)	120021	Bearing 5×10×4 (4)	230019	CMX Cross member set	310070	CVA Axle (2)
110001	Round head screw M3×6 (10)	110055	G-dip 10.0 (10)	120022	Bearing 8×12×3.5 (4)	230020	CMX Gear box chassis set	310071	Solid axle
110002	Round head screw M3×8 (10)	110061	Round head screw M3×14 (6)	120023	Bearing 10×15×4 (4)	230021	CMX Receiver case set	310072	Piston rod (4)
110005	Countersunk screw M3×8 (10)	110064	Round head screw M2.5×10 (6)	130001	Damper O-ring P3 (red) (10)	230022	CMX Axle cover	310073	Bevel gear set 36-15
110009	Set screw M3×2.0 (6)	110076	Round head screw M3×25 (6)	130008	Black grease	230023	CMX Damper stay set	310075	CMX Chassis rail (2)
110010	Round head screw M2.5×14 (6)	110081	Countersunk screw M3×14 (6)	130017	Inner sponge (8)	230024	CMX C hub carrier set	310079	Battery tray
110011	Cap screw M3×6 (6)	110084	Round head screw M2×10 (6)	130032	Damper cap O-ring (10)	230025	CMX Knuckle set	310080	Slipper plate (2)
110013	E-dip 2.0 (10)	110085	Round head screw M2×16 (6)	130034	Sponge 20×80×1 (4)	230026	CMX Car body post set	310081	Gear B 14T (4)
110016	R-dip 6.0 (10)	110086	Round head screw M3×16 (6)	130035	L Wrench set (1.5 & 2.0 & 2.5)	230029	CMX Axle lockout set	310082	Gear 42T
110017	Shaft 2×9.8 (10)	110087	Round head screw M3×18 (6)	130044	Inner sponge 30×92×48 (2)	230030	CMX Bumper & battery mount	310083	Gear 32T
110018	Shaft 2×13.8 (5)	110088	Round head screw M3×20 (6)	130045	Slipper pad (2)	230031	58H 1.9" crawler wheel (+5) (4)	310084	Gear B 24T
110019	Shaft 2×11.8 (6)	110089	Round head screw M3×30 (6)	130046	Velcro strap 16×210mm (2)	230032	60D 1.9" crawler wheel (+5) (4)	310085	Gear A 24T
110021	Lock nut M3 (5)	110090	Shaft screw M4×4×12 (6)	210033	Servo horn set (big) (23T/25T)	230033	CMX Heavy duty locker set	310086	Gear A 14T
110023	Set screw M3×16 (6)	110091	Cap screw M3×40 (6)	210057	Damper cap set	230039	CMX Wheelbase 267mm accessories	310087	Slipper shaft set
110025	Tapping round head screw 2.6×10 (6)	110092	King pin screw (4)	210529	Coil spring 45mm (hard) (silver) (4)	230044	M06 Spur gear 62T	310088	CFX Motor mount
110026	Round head screw M3×10 (10)	110093	Nut M3 (5)	210530	Coil spring 45mm (medium) (gold) (4)	230045	CFX Deceleration gear box set	310089	Bulldozed plate
110035	Set screw M3×3 (6)	110096	Lock nut M4 (5)	210531	Coil spring 45mm (soft) (red) (4)	230046	CFX Gear box support	310090	Gear shaft A
110037	E-dip 4.0 (10)	120001	Ball bearing 10×15 (4)	220012	Mineral oil 10#	230047	CFX Transfer case set	310091	Gear shaft B
110044	Round head screw M2×6 (6)	120002	Ball bearing 5×10 (4)	230015	Damper parts (2)	230048	CFX Driveshaft set	310092	Gear shaft C
110047	Spacer 3×6×0.5 (8)	120003	Ball bearing 5×8 (4)	230016	CMX Ball connector set	310065	Wheel axle (2)	7000035	5.5 & 7.0 Alum. wrench (silver)
110048	Spacer 3×8×0.5 (8)	120017	Bearing 5×8 (4)	230017	CMX Link set	310066	Bevel gear shaft	820020	Spacer 5×7×0.3 (8)
		120018	Ball Bearing 4×10×4 (2)	230018	CMX Driveshaft				

部品編號

101034	KM 單齒胎 30×90-1.9" (P-40") (2)	110055	G10 10.0 (10)	120022	軸承 8×12×3.5 (4)	230020	CMX 減速箱殼組	310072	避震軸心 (4)
110001	六角半圓頭螺絲 M3×6 (10)	110061	六角半圓頭螺絲 M3×14 (6)	120023	軸承 10×15×4 (4)	230021	CMX 接收機殼組	310073	傘齒組 36-15
110002	六角半圓頭螺絲 M3×8 (10)	110064	六角半圓頭螺絲 M2.5×10 (6)	130001	阻尼圈 O 環 P3 (紅) (10)	230022	CMX 車輪殼	310075	CMX 大棒 (2)
110005	六角沉頭螺絲 M3×8 (10)	110076	六角半圓頭螺絲 M3×25 (6)	130008	黑色油脂	230023	CMX 避震架組	310079	電池托盤
110009	六角止付螺絲 M3×2.0 (6)	110081	六角沉頭螺絲 M3×14 (6)	130017	吸塵泡棉 (8)	230024	CMX 轉向心螺絲	310080	扭桿螺絲
110010	六角半圓頭螺絲 M2.5×14 (6)	110084	六角半圓頭螺絲 M2×10 (6)	130032	避震上環 O 環 (10)	230025	CMX 轉向殼組	310081	齒輪 B 14T (4)
110011	六角半圓頭螺絲 M3×6 (半牙) (6)	110085	六角半圓頭螺絲 M2×16 (6)	130034	吸塵泡棉 20×80×1 (4)	230026	CMX 車輪固定組	310082	齒輪 42T
110013	E 扣 2.0 (10)	110086	六角半圓頭螺絲 M3×16 (6)	130035	L 扳手組 (1.5 & 2.0 & 2.5)	230029	CMX 車輪固定殼組	310083	齒輪 32T
110016	R 扣 6.0 (10)	110087	六角半圓頭螺絲 M3×18 (6)	130044	內襯 30×92×48 (2)	230030	CMX 新保牌 5 電池座	310084	齒輪 B 24T
110017	軸 2×9.8 (10)	110088	六角半圓頭螺絲 M3×20 (6)	130045	扭桿膠墊片 (2)	230031	58H 1.9" 單齒棒 (+5) (4)	310085	齒輪 A 24T
110018	軸 2×13.8 (5)	110089	六角半圓頭螺絲 M3×30 (6)	130046	電池束帶 16×210mm (2)	230032	60D 1.9" 單齒棒 (+5) (4)	310086	齒輪 A 14T
110019	軸 2×11.8 (5)	110090	銷釘螺絲 M4×4×12 (6)	210033	伺服機托片組-長 (23T/25T)	230033	CMX 齒輪減速機組	310087	扭桿軸心組
110021	防鬆螺帽 M3 (5)	110091	六角半圓頭螺絲 M3×40 (半牙) (6)	210057	避震器上下環組	230039	CMX 輪距 267mm 配件	310088	CFX 馬達座
110023	六角止付螺絲 M3×16 (6)	110092	大王螺絲 (4)	210529	避震彈簧 45mm (硬) (銀) (4)	230044	M06 大齒輪 62T	310089	減速箱殼板
110025	自攻六角半圓頭螺絲 2.6×10 (6)	110093	螺帽 M3 (5)	210530	避震彈簧 45mm (中) (金) (4)	230045	CFX 減速箱組	310090	齒輪軸心 A
110026	六角半圓頭螺絲 M3×10 (10)	110096	防鬆螺帽 M4 (5)	210531	避震彈簧 45mm (軟) (紅) (4)	230046	CFX 減速箱支架組	310091	齒輪軸心 B
110035	六角止付螺絲 M3×3 (6)	120001	培林 10×15 (4)	220012	礦物油 10#	230047	CFX 分動箱組	310092	齒輪軸心 C
110037	E 扣 4.0 (10)	120002	培林 5×10 (4)	230015	避震器零件組 (2)	230048	CFX 驅動輪組	7000035	5.5 & 7.0 鋁合金專用工具 (銀)
110044	六角半圓頭螺絲 M2×6 (6)	120003	培林 5×8 (4)	230016	CMX 球頭組	310065	轉向橫杆 (2)	820020	墊片 5×7×0.3 (8)
110047	墊片 3×6×0.5 (8)	120017	軸承 5×8 (4)	230017	CMX 拉桿組	310066	傘齒輪		
110048	墊片 3×8×0.5 (8)	120018	培林 4×10×4 (2)	230018	CMX 傳動輪	310070	CVA 齒輪 (2)		
110049	六角半圓頭螺絲 M3×5 (10)	120021	軸承 5×10×4 (4)	230019	CMX 橫桿組	310071	齒輪齒輪		

MST
MAX SPEED TECHNOLOGY



WWW.RC-MST.COM
[facebook.com/MST.tw]



Max Speed Technology



PRINTED WITH
SOYINK